



Self-Contained Utility Press - **Export Only**

Models 421/461SR-BV



- External compressed air required
- 12 or 18 KW boiler provides plenty of dry steam
- Options: Iron attachment, hand iron, sleeve board, water spray
- All the features and quality of a conventional dry cleaning press with built-in boiler and vacuum (3 phase)

www.forentausa.com

Tel: 423-586-5370 • Email: info@forentausa.com

Made in USA

Models: 421SR-BV & 461SR-BV

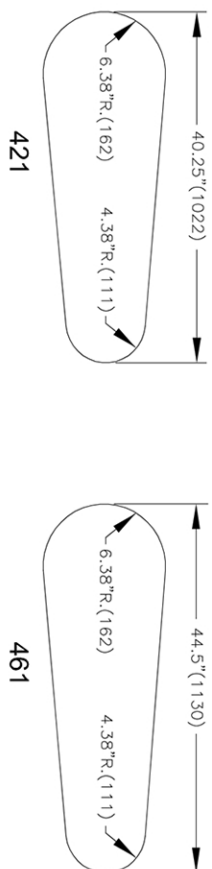
Electrical Requirements

Voltage	400V 3PH 50/60Hz 24amps 15.8KW w/220/240V neutral (12KW Boiler)
Voltage	400V 3PH 50/60Hz 33amps 21.7KW w/220/240V neutral (18KW Boiler)
Voltage	220/240V 3PH 50/60Hz 38amps 14.5KW (12KW Boiler)
Voltage	220/240V 3PH 50/60Hz 53amps 20.2KW (18KW Boiler)

Steam, Air, Vacuum & Water Requirements

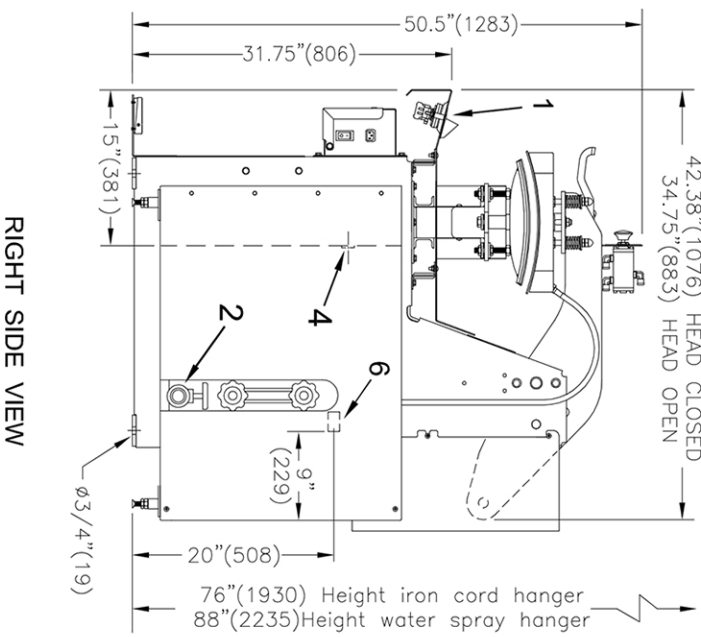
Compressed Air Connection	NPT	3/8"
Air consumption	free air/cycle at 80psig free air/cycle at 0.55MPa	0.48 FT ³ 13.5 liters
Rec. air pressure	PSIG KPa	80 552
Vacuum Exhaust Connection	(Boiler) NPT (Water Spray) NPT	2 1/2" O.D. 1/2"
Water Connection	(Boiler) NPT (Water Spray) NPT	1/2" 1/4"
Boiler Drain Connection	NPT	1/2"
Pressure Relief Valve Connection	Hose	9/16" I.D.
Weight (crated)	lbs kg	900 363
Shipping		

BUCK DIMENSIONS (unpadded)

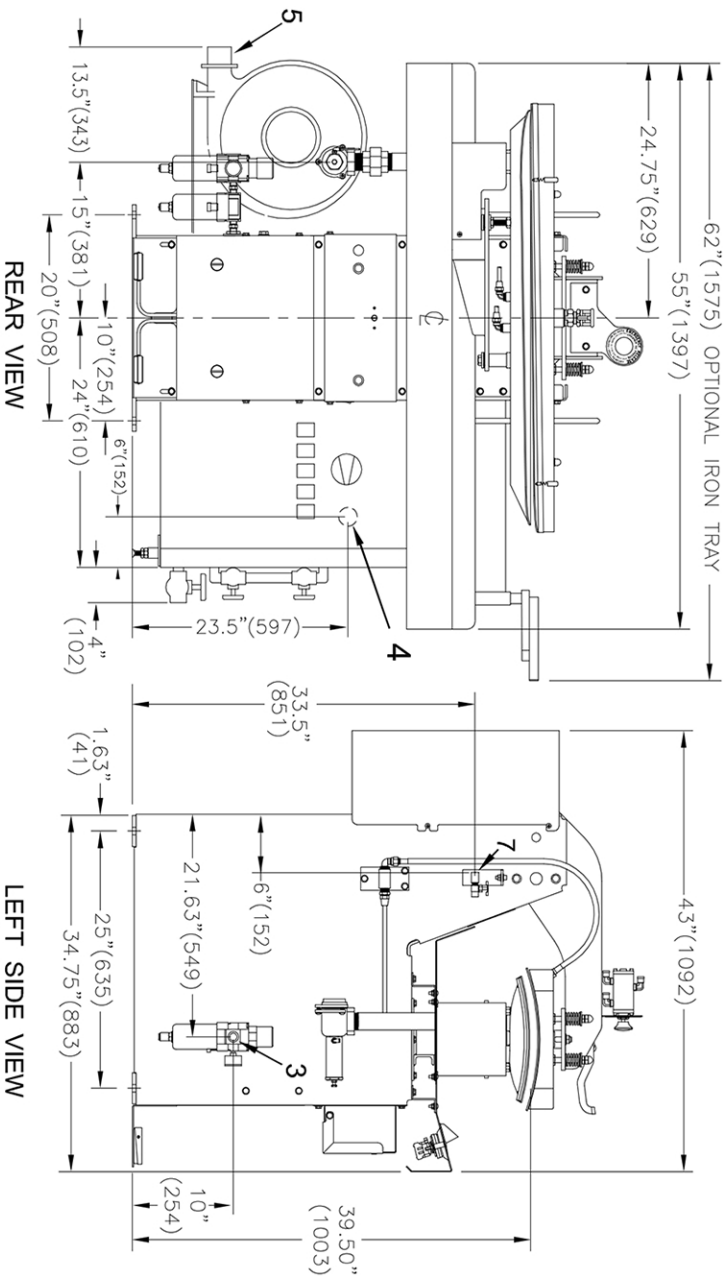


Detail Line Drawing (millimeters shown in parentheses)

- 1 - Control Push Buttons
- 2 - Boiler Drain Connection
- 3 - Air Connection
- 4 - Electrical Connection
- 5 - Vacuum Exhaust Connection
- 6 - Water Connection (For Boiler pump)
- 7 - Water Connection (For optional water spray)



RIGHT SIDE VIEW



REAR VIEW

LEFT SIDE VIEW