



# HIGH-EFFICIENT SOFTMOUNT WASHER-EXTRACTORS

**IY65**  
6,5 KG

**IY80**  
7,5 KG

**IY105**  
10,5 KG

**IY135**  
13,5 KG

## FEATURES

- Freestanding, high spin (up to 1165 rpm - IY65, IY80)
- 400G extraction speed
- Stainless steel top and front panel, black side panels
- Stainless steel drum and tub
- Patented soap hopper
- Large drain valve (Ø 76 mm)
- Easy access to all vital parts from the front
- Large door opening for easy loading & unloading

## OPTIONS

- Coin operated
- Stainless steel side panels
- USB + RS485 plug (ARIES / ARIES ELITE)
- Liquid soap connection
- Liquid soap pumps
- Water recovery kit
- Steam heating version
- Drain pump (IY65, IY80)
- 3rd water inlet
- Special textured drum

## CONTROL OPTIONS

- Aries (VEND only) – easy-to-use microprocessor
- Aries Elite (OPL only) – fully programmable
- Evolis (OPL/Vend)
  - 7", full color touch screen display
  - User-friendly screen with operating instructions built in as part of the control
  - Complete control content available in 34 languages
  - 15 wash cycles for OPL, 10 for Vend
  - 11 easy-to-understand cycle modifiers
  - Machine programming & firmware updates through cloud



ERGONOMICAL  
CONSTRUCTION



LARGE DOOR  
OPENING



LOW WATER  
CONSUMPTION



LOW ENERGY  
CONSUMPTION

YOUR SMART LAUNDRY PARTNER

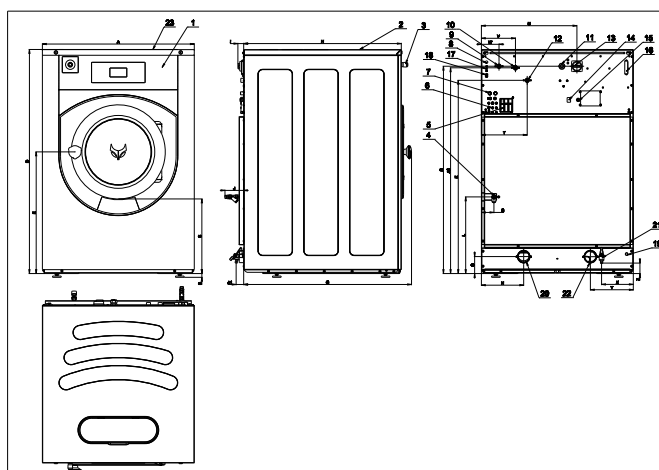
|                                      | IY65             | IY80             | IY105            | IY135            |
|--------------------------------------|------------------|------------------|------------------|------------------|
| INNERDRUM                            |                  |                  |                  |                  |
| CAPACITY 10:1 (KG)                   | 6,5              | 7,5              | 10,5             | 13,5             |
| CAPACITY 9:1 (KG)                    | 7                | 9                | 12               | 15               |
| VOLUME (L)                           | 65               | 75               | 105              | 135              |
| DIAMETER (MM)                        | 530              | 530              | 620              | 620              |
| DRUM SPEED                           |                  |                  |                  |                  |
| WASH (RPM)                           | 49               | 49               | 49               | 49               |
| EXTRACTION (RPM)                     | 1165             | 1165             | 1075             | 1075             |
| G-FACTOR                             | 400              | 400              | 400              | 400              |
| HEATING                              |                  |                  |                  |                  |
| ELECTRICITY (KW)                     | 6                | 6                | 9                | 12               |
| STEAM (BAR)                          | 1 - 8            | 1 - 8            | 1-8              | 1 - 8            |
| HOT WATER (°C)                       | 90               | 90               | 90               | 90               |
| SOUND PRESSURE LEVEL (DB) (A)        | < 65             | < 65             | < 65             | < 65             |
| WATER VALVES CONNECTION (BSP)        | 3/4"             | 3/4"             | 3/4"             | 3/4"             |
| WATER PRESSURE (KPA)                 | 100-800          | 100-800          | 100-800          | 100-800          |
| REC. WATER PRESSURE (KPA)            | 300-500          | 300-500          | 300-500          | 300-500          |
| WATER INLET (L/MIN)                  | 20               | 20               | 20               | 20               |
| DRAIN VALVE OUTER (MM)               | Ø 76             | Ø 76             | Ø 76             | Ø 76             |
| FLOW AMOUNT WITH DRAIN VALVE (L/MIN) | 210              | 210              | 210              | 210              |
| STEAM VALVE CONNECTION (BSP)         | 1/2"             | 1/2"             | 1/2"             | 1/2"             |
| STEAM PRESSURE (KPA)                 | 100-800          | 100-800          | 100-800          | 100-800          |
| TRANSPORT DATA                       |                  |                  |                  |                  |
| GROSS WEIGHT (KG)                    | 180              | 200              | 235              | 275              |
| NET WEIGHT (KG)                      | 170              | 185              | 210              | 255              |
| PACKING DIMENSIONS H x W x D (MM)    | 1265 x 750 x 840 | 1365 x 835 x 840 | 1365 x 835 x 840 | 1365 x 835 x 985 |

|       | A     | B  | C   | D      | E   | F   | G     | H   | I  | J   | K    | L   | M  | N   | O   | P   | Q  |
|-------|-------|----|-----|--------|-----|-----|-------|-----|----|-----|------|-----|----|-----|-----|-----|----|
| IY65  | 710   | 24 | 349 | 1135   | 582 | 240 | 730   | 642 | 48 | 180 | 940  | 480 | 88 | 230 | 203 | N/A | 67 |
| IY80  | 710   | 24 | 349 | 1135   | 582 | 240 | 780   | 692 | 48 | 180 | 940  | 480 | 88 | 230 | 203 | N/A | 67 |
| IY105 | 795   | 24 | 342 | 1245   | 617 | 240 | 785   | 692 | 48 | 180 | 1050 | 506 | 88 | 230 | 203 | N/A | 67 |
| IY135 | 795   | 24 | 342 | 1245   | 617 | 240 | 935   | 842 | 48 | 180 | 1050 | 506 | 88 | 230 | 203 | N/A | 67 |
|       | width |    |     | height |     |     | depth |     |    |     |      |     |    |     |     |     |    |

|       | R    | S  | T   | U   | V   | W   |
|-------|------|----|-----|-----|-----|-----|
| IY65  | 1030 | 42 | 283 | 390 | 218 | 113 |
| IY80  | 1030 | 42 | 283 | 390 | 218 | 113 |
| IY105 | 1140 | 42 | 293 | 475 | 218 | 113 |
| IY135 | 1140 | 42 | 293 | 475 | 218 | 230 |

|                         | IY80       |
|-------------------------|------------|
| Water consumption       | 6,6 L/KG   |
| Electricity consumption | 0,18 kW/kg |

\*Program nr 13



- Control panel
- Soap dispenser
- Centralstop button
- Steam connection
- Air relieve
- Liquid soap connection
- Recycled water inlet
- Recycled water valve cable inlet
- Cold water inlet, soft
- Cold water inlet, hard
- Electrical connection
- Hot water inlet
- Main switch/Field wiring terminal (NA models)
- Heating change-over switch
- Liquid soap pump electrical connection
- Fuses
- USB port - optional
- PC programming connection
- Discharge water cable inlet
- Drain valve - 3 in. [76 mm]
- Drain Valve - 1/2", applicable for wash bath sample (on request only)
- Drain valve or recycle valve - 3 in. [76 mm]280 L Models only
- Hidden USB port (under top cover) - standard