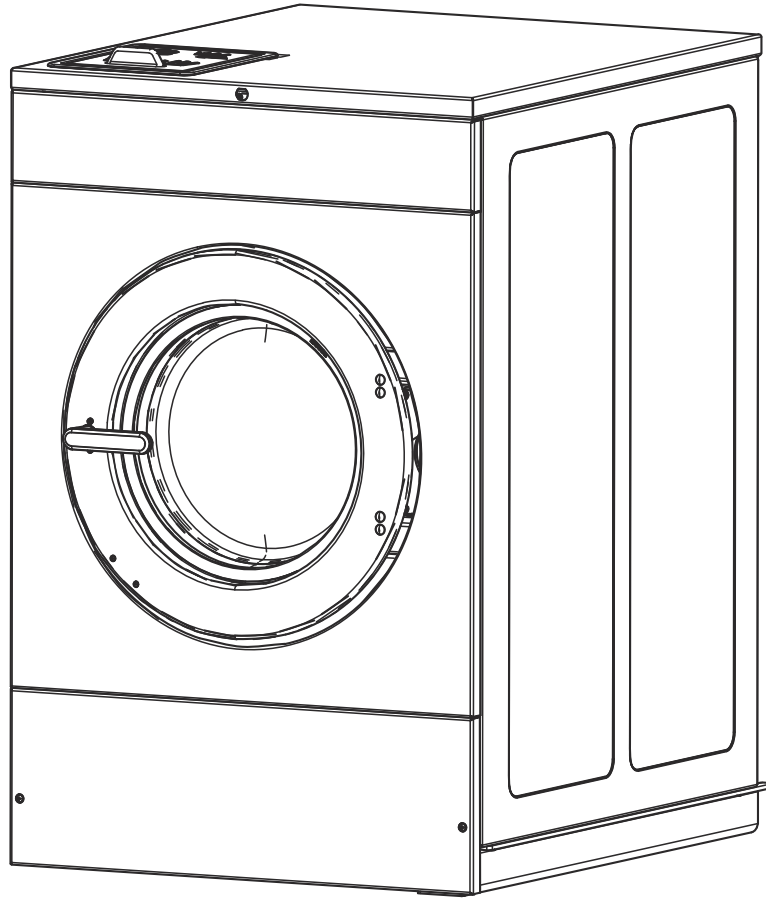


Washer-Extractor

Cabinet Hardmount

Design 4

Refer to Page 3 for Model Numbers



C-CHM2C3_F8674801

Table of Contents

| Title | Page |
|--|------|
| Parts Ordering Information..... | 2 |
| Serial Plate Location | 2 |
| Model Identification | 3 |
| Product Overview - Galaxy 600 International and Galaxy 600 International Network | 4 |
| Labels | 6 |
| Control Module and Front Tray Assembly - Coin Models | 8 |
| Control Module and Front Tray Assembly - Card Reader and Central Pay Models | 10 |
| Control Tray Assembly..... | 12 |
| Flush Mount Coin Meter Assembly - Single Drop | 14 |
| Flush Mount Coin Meter Assembly - Dual Drop..... | 16 |
| Electronic Coin Meter Assembly | 18 |
| Optional Coin Box..... | 20 |
| Inverter Drive Box - Q and X Voltage..... | 22 |
| Inverter Drive Box - N and P Voltage..... | 24 |
| External Supply Kit..... | 26 |
| Inverter Drive | 28 |
| Front Panels and Control Panel - Coin Models..... | 30 |
| Front Panels and Control Panel - Card Ready and Central Pay Models | 32 |
| Rear and Top Panels | 34 |
| Side Panels..... | 36 |
| Door | 38 |
| Door Lock..... | 40 |
| Shell Front and Basket..... | 42 |
| Shell | 44 |
| Bearing Housing and Frame Shield | 46 |
| Drain Plumbing | 48 |
| Fill Plumbing | 50 |
| Motor, Pulley and Belt..... | 52 |
| Electric Heating..... | 54 |
| Steam Heating | 56 |
| Special Tools and Kits | 58 |
| Parts Index..... | 61 |

© Copyright 2019, Alliance Laundry Systems LLC

All rights reserved. No part of the contents of this book may be reproduced or transmitted in any form or by any means without the expressed written consent of the publisher.

Parts Ordering Information

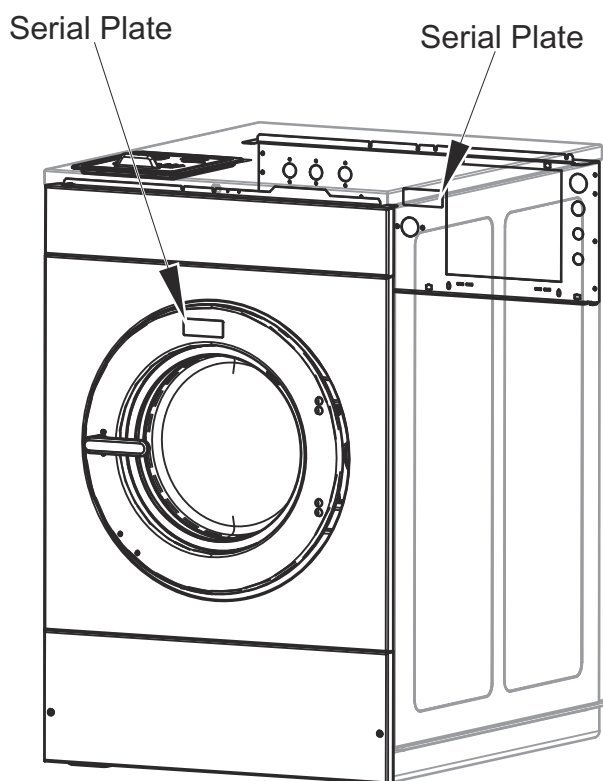
If literature or replacement parts are required, contact the source from whom the machine was purchased or contact Alliance Laundry Systems at (920) 748-3950 for the name and address of the nearest authorized parts distributor.

For technical assistance, call the number listed below:

(920) 748-3121 Ripon, Wisconsin

Serial Plate Location

When calling or writing about your product, be sure to mention model and serial numbers. Model and serial numbers are located on serial plate(s) as shown.



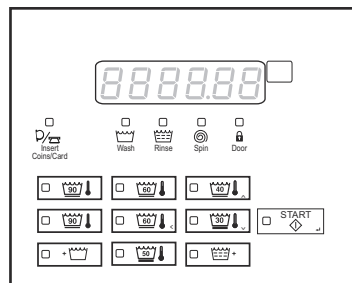
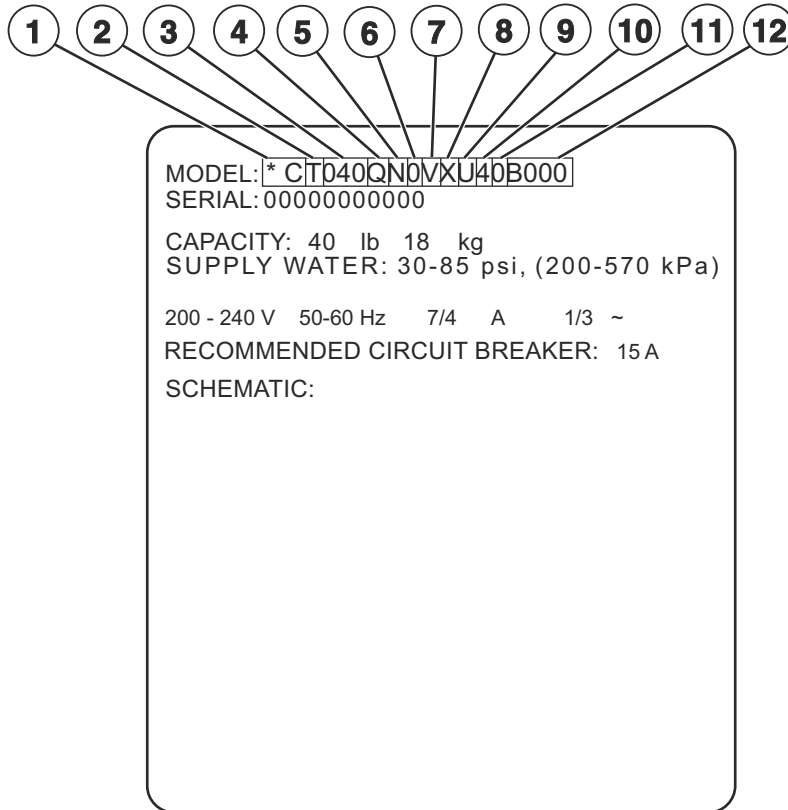
C-CHM2C2_F8674801

Model Identification

Information in this manual is applicable to these washer-extractor models:

| | | | | |
|----------|----------|----------|----------|----------|
| HCA080NC | HCG080NC | HCH080NC | HCJ080NC | HCU080NC |
| HCA080ND | HCG080ND | HCH080ND | HCJ080ND | HCU080ND |
| HCA080NE | HCG080NE | HCH080NE | HCJ080NE | HCU080NE |
| HCA080NF | HCG080NF | HCH080NF | HCJ080NF | HCU080NF |
| HCA080NH | HCG080NH | HCH080NH | HCJ080NH | HCU080NH |
| HCA080NL | HCG080NL | HCH080NL | HCJ080NL | HCU080NL |
| HCA080NQ | HCG080NQ | HCH080NQ | HCJ080NQ | HCU080NQ |
| HCA080NT | HCG080NT | HCH080NT | HCJ080NT | HCU080NT |
| HCA080NV | HCG080NV | HCH080NV | HCJ080NV | HCU080NV |
| HCA080NX | HCG080NX | HCH080NX | HCJ080NX | HCU080NX |
| HCA080NY | HCG080NY | HCH080NY | HCJ080NY | HCU080NY |
| HCA080WC | HCG080WC | HCH080WC | HCJ080WC | HCU080WC |
| HCA080WD | HCG080WD | HCH080WD | HCJ080WD | HCU080WD |
| HCA080WE | HCG080WE | HCH080WE | HCJ080WE | HCU080WE |
| HCA080WF | HCG080WF | HCH080WF | HCJ080WF | HCU080WF |
| HCA080WH | HCG080WH | HCH080WH | HCJ080WH | HCU080WH |
| HCA080WL | HCG080WL | HCH080WL | HCJ080WL | HCU080WL |
| HCA080WT | HCG080WT | HCH080WQ | HCJ080WQ | HCU080WQ |
| HCA080WV | HCG080WV | HCH080WT | HCJ080WT | HCU080WT |
| HCA080WX | HCG080WX | HCH080WV | HCJ080WV | HCU080WV |
| HCA080WY | HCG080WY | HCH080WX | HCJ080WX | HCU080WX |
| HCA100NC | HCG100NC | HCH080WY | HCJ080WY | HCU080WY |
| HCA100ND | HCG100ND | HCH100NC | HCJ100NC | HCU100NC |
| HCA100NE | HCG100NE | HCH100ND | HCJ100ND | HCU100ND |
| HCA100NF | HCG100NF | HCH100NE | HCJ100NE | HCU100NE |
| HCA100NH | HCG100NH | HCH100NF | HCJ100NF | HCU100NF |
| HCA100NL | HCG100NL | HCH100NH | HCJ100NH | HCU100NH |
| HCA100NQ | HCG100NQ | HCH100NL | HCJ100NL | HCU100NL |
| HCA100NT | HCG100NT | HCH100NQ | HCJ100NQ | HCU100NQ |
| HCA100NV | HCG100NV | HCH100NT | HCJ100NT | HCU100NT |
| HCA100NX | HCG100NX | HCH100NV | HCJ100NV | HCU100NV |
| HCA100NY | HCG100NY | HCH100NX | HCJ100NX | HCU100NX |
| HCA100WC | HCG100WC | HCH100NY | HCJ100NY | HCU100NY |
| HCA100WD | HCG100WD | HCH100WC | HCJ100WC | HCU100WC |
| HCA100WE | HCG100WE | HCH100WD | HCJ100WD | HCU100WD |
| HCA100WF | HCG100WF | HCH100WE | HCJ100WE | HCU100WE |
| HCA100WH | HCG100WH | HCH100WF | HCJ100WF | HCU100WF |
| HCA100WL | HCG100WL | HCH100WH | HCJ100WH | HCU100WH |
| HCA100WT | HCG100WT | HCH100WL | HCJ100WL | HCU100WL |
| HCA100WV | HCG100WV | HCH100WQ | HCJ100WQ | HCU100WQ |
| HCA100WX | HCG100WX | HCH100WT | HCJ100WT | HCU100WT |
| HCA100WY | HCG100WY | HCH100WV | HCJ100WV | HCU100WV |
| | | HCH100WX | HCJ100WX | HCU100WX |
| | | HCH100WY | HCJ100WY | HCU100WY |
| | | | HCK080NH | |
| | | | HCK100NH | |

Product Overview - Galaxy 600 International and Galaxy 600 International Network



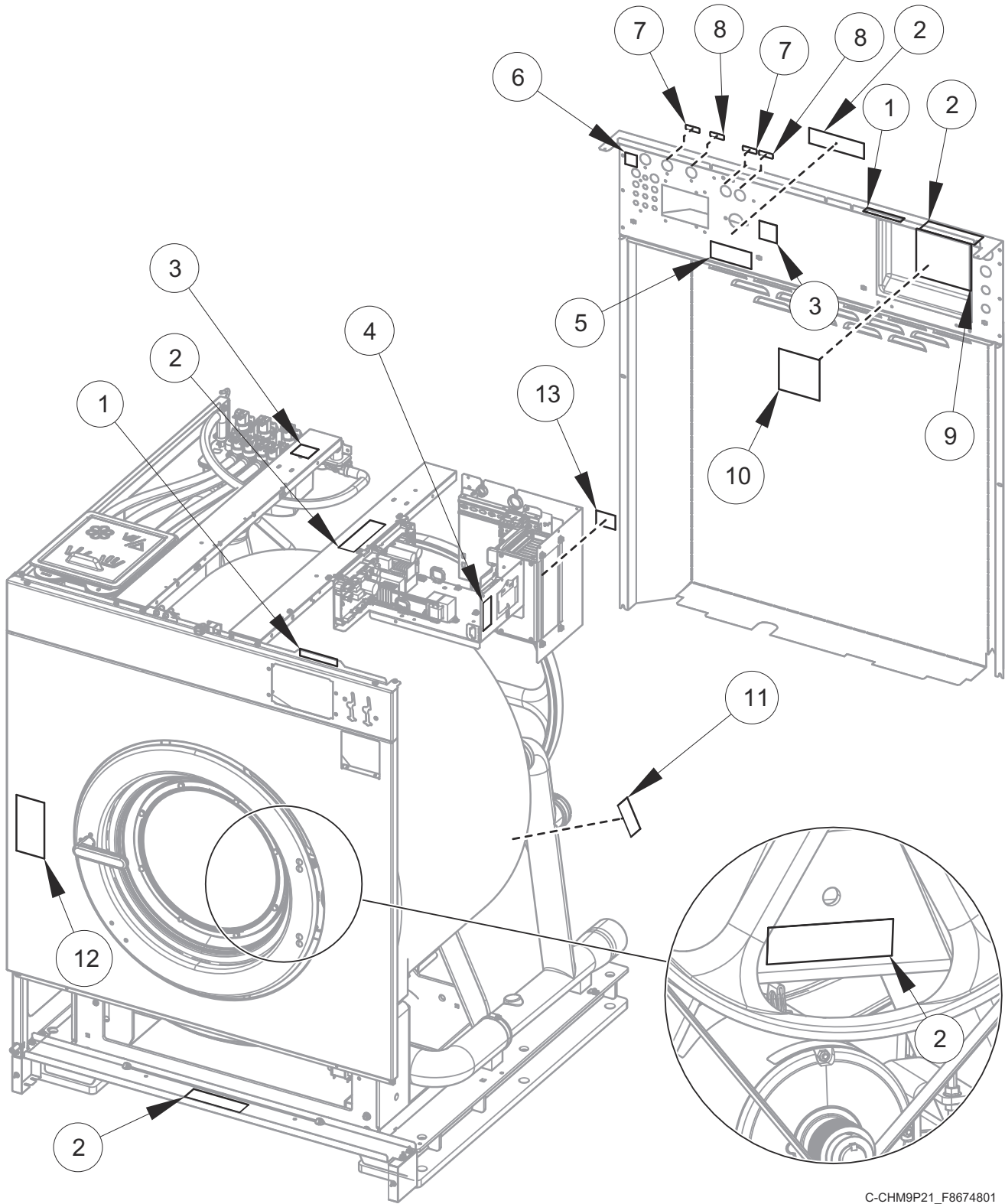
Galaxy 600 International and Galaxy 600 International Network

CHM3499P_F8674801

Product Overview - Galaxy 600 International and Galaxy 600 International Network

| REF | PART NO. | DESCRIPTION | COMMENTS |
|-----|----------|---------------------------------|---|
| 1 | - | Product Family | HC |
| 2 | - | Market Approvals | A (Australia ICE) D (Brazil IEC) G (International) H (China-ROHS IEC) J (Japan-PSE IEC) K (Korea IEC) L (Thailand-TISI IEC) T (North America) U (International CE/EAC) |
| 3 | - | Capacity (Dry Weight in Pounds) | 080 100 |
| 4 | - | Control | N W |
| 5 | - | Actuation | L (Central Pay) X (Prep for Coin) Y (Prep for Card) C (Single Coin) D (Dual Coin) E (Electronic Drop) T (Token) F (Single Coin + CD Lock and Key) Q (Dual Coin + CD Lock and Key) H (Electronic Drop + CD Lock and Key) V (Token + CD Lock and Key) |
| 6 | - | Coin Meter | 0 (Standard) 1 (CD Lock & Key) |
| 7 | - | Speed | F (F-Speed) V (V-Speed) |
| 8 | - | Voltage | B (120/60/1) W (200-240/50/1/3) Y (200-240/60/1/3) X (200-240/50-60/1/3) Q (200-240/50-60/3) P (380-415/50-60/3) N (440-480/50-60/3) |
| 9 | - | Panel | B (Chrome Door) C (Chrome Door) U (Vinyl) 1 (Stainless Steel Side) |
| 10 | - | Design | 4 |
| 11 | - | Heat | 0 (Standard) D (Steam) E (Electric Heat) P (Prep for Steam) |
| 12 | - | Features and Options | |

Labels

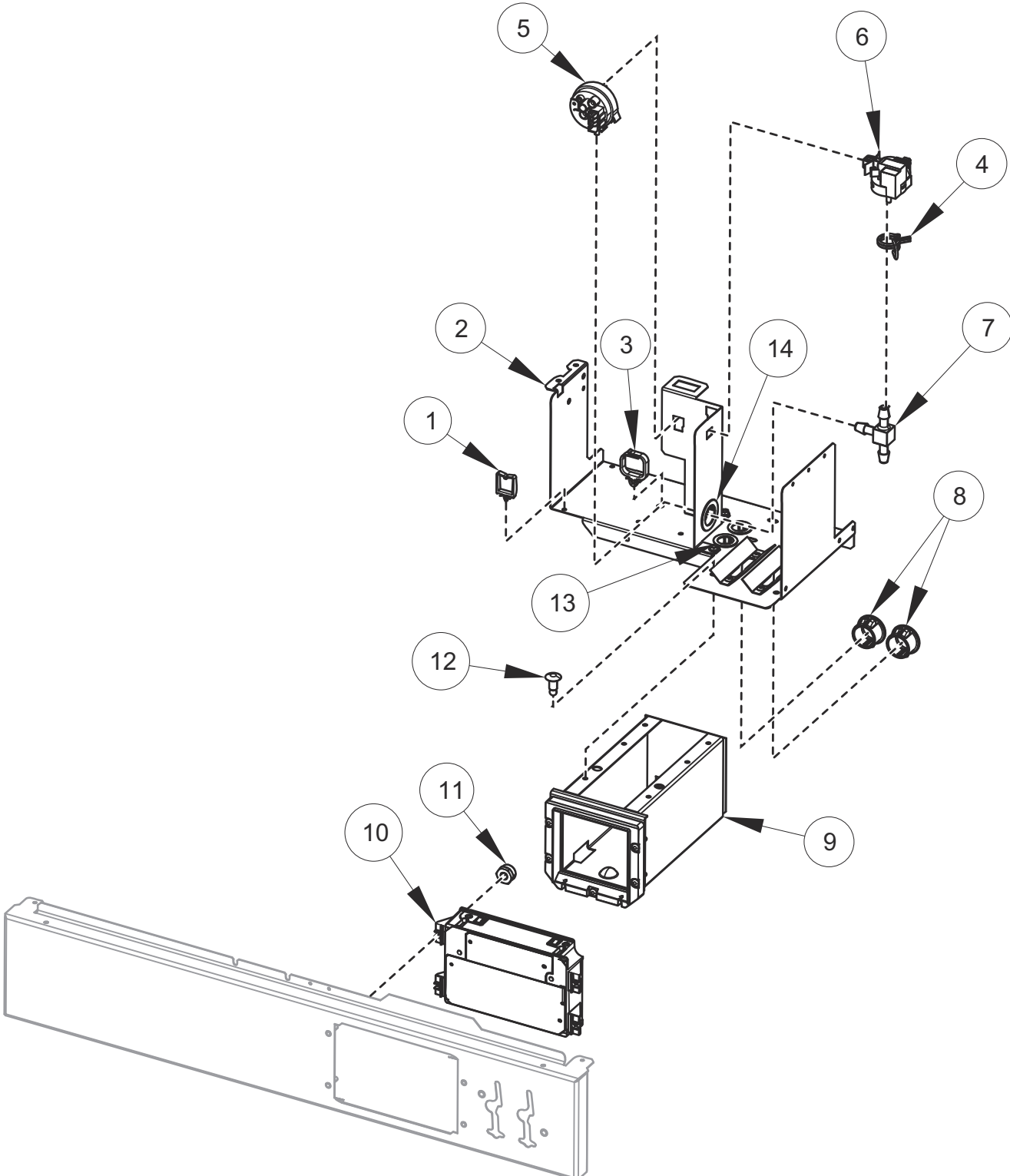


C-CHM9P21_F8674801

Labels

| REF | PART NO. | DESCRIPTION | COMMENTS |
|-----|----------|---------------------------|--|
| 1 | F8614501 | Danger Label | English/Quebec/French |
| 2 | 44324001 | Warning Label | Pinch/Shock; English/French |
| | F8614201 | Shock Warning Label | Icon |
| | F8615701 | Pinch Warning Label | Icon |
| 3 | F8614301 | Hot Surface Warning Label | English/Quebec/French |
| | F8609001 | Hot Surface Warning Label | Icon |
| 4 | F8601301 | Label | Warning; Underground components |
| 5 | F8609401 | Label | Notice; Chemical connection |
| 6 | 203853 | Label | ROHS (China) |
| 7 | F8611301 | Label | Hot water; Icon |
| 8 | F8611401 | Label | Cold water; Icon |
| 9 | F8605501 | Label | Warning; English/Quebec/French |
| 10 | F8602401 | Label | Notice; Large expansion board |
| 11 | 70538401 | Pinch Warning Label | English/French |
| | F8615701 | Pinch Warning Label | Icon |
| 12 | F8614801 | Label | Warning fire/injury; English/Quebec/French |
| 13 | F8620801 | Label | Warning current leakage |

Control Module and Front Tray Assembly - Coin Models

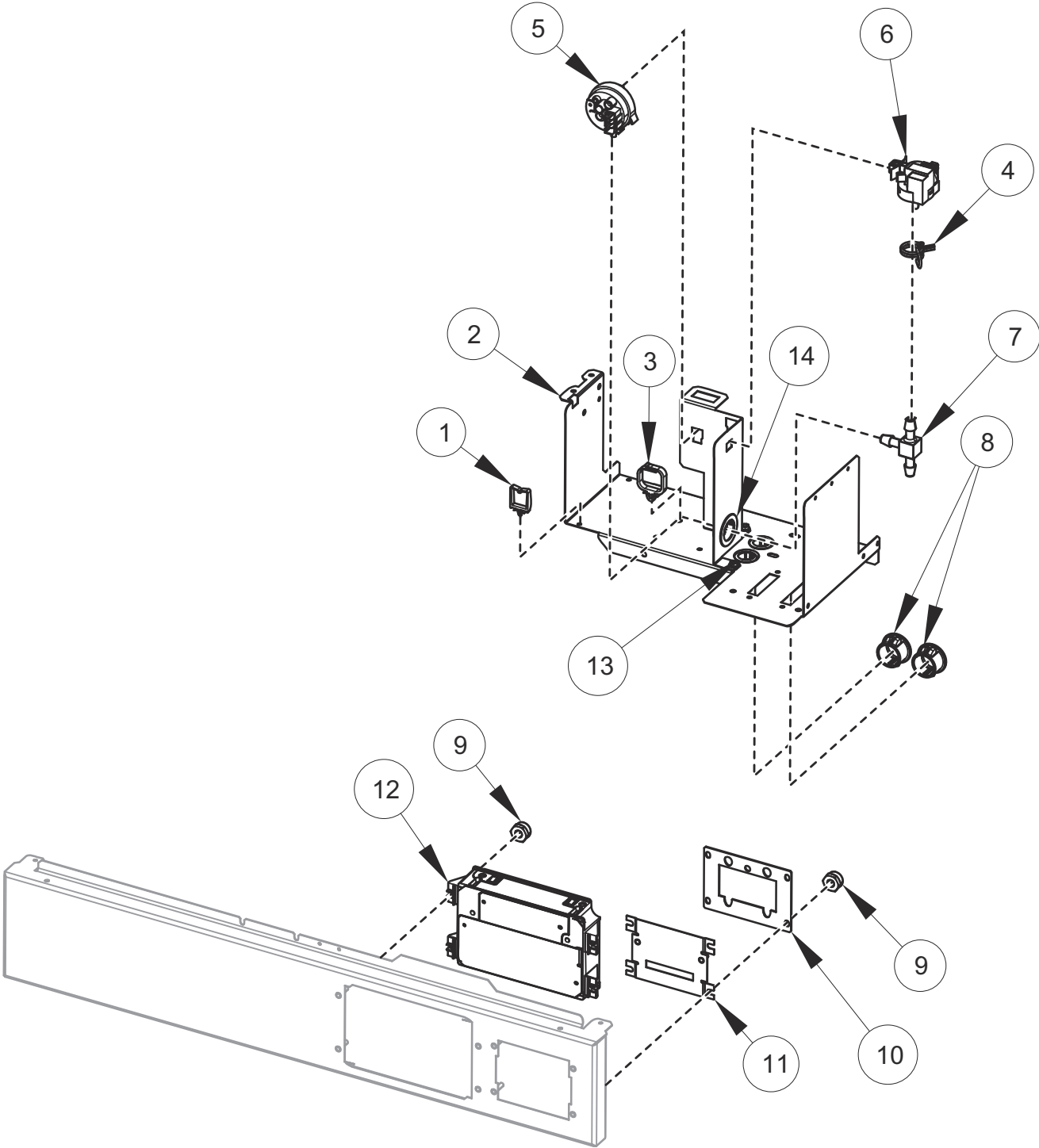


C-CHM5P1_F8674801

Control Module and Front Tray Assembly - Coin Models

| REF | PART NO. | DESCRIPTION | COMMENTS |
|-----------|----------|-------------------------------|---|
| | 203361P | Machine ID Control Assembly | |
| | F8567303 | Front Tray Assembly | Includes items 1-3, 6, 8, 9, 12-14, 70413301 Pushbutton Switch and F8519701 Coin Vault Harness |
| | F8567306 | Front Tray Assembly | Steam or electric heat; Includes items 1-9, 12-14, 70413301 Pushbutton Switch and F8519701 Coin Vault Harness |
| | F8519701 | Coin Vault Harness | |
| | F8519301 | Harness | Tray power harness |
| | F8519502 | Harness | Communication |
| | F8519601 | Harness | Coin access |
| | F8519403 | Emergency Stop Bypass Harness | |
| 1 | 70366201 | Wire Clip | |
| 2 | F8531001 | Front Tray Assembly | |
| 3 | F8449501 | Wire Clip | |
| 4 | 39282 | Hose Clamp | |
| 5 | F8609101 | Water Level Pressure Switch | Steam or electric heat |
| | F8405303 | Tubing | Electric heat |
| 6 | F8623401 | Pressure Sensor | |
| | F8405302 | Tubing | Electric heat |
| 7 | 203464 | Barbed Tee | Steam or electric heat |
| 8 | M411826 | Snap Bushing | |
| 9 | F8529101 | Coin Vault Assembly | |
| 10 | F8493901 | Control Assembly | |
| 11 | 685846 | Nut | |
| 12 | 70058501 | Pop Rivet | |
| 13 | F140938 | Snap Bushing | |
| 14 | M402542 | Snap Bushing | |

Control Module and Front Tray Assembly - Card Reader and Central Pay Models

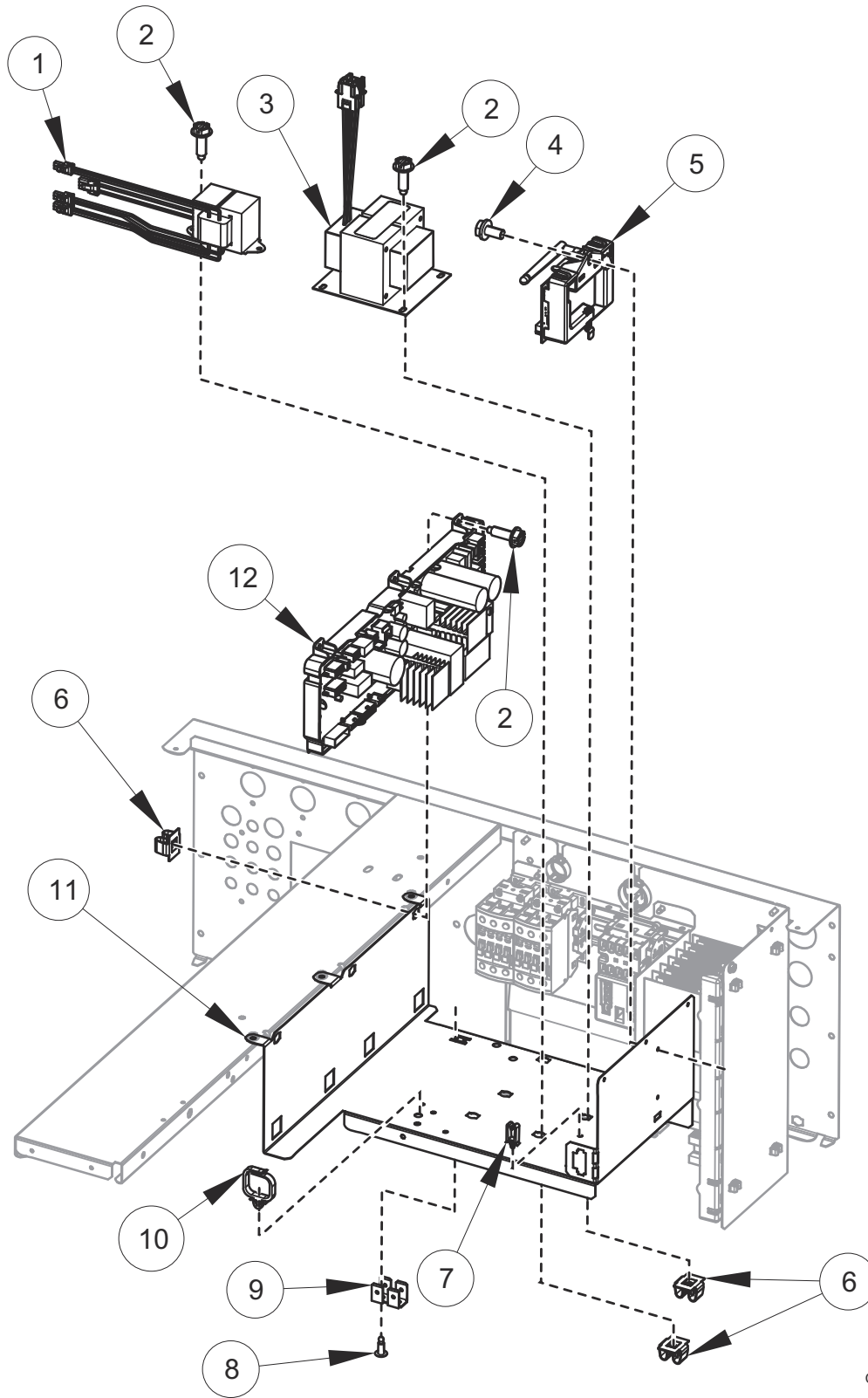


C-CHM5P3_F8674801

Control Module and Front Tray Assembly - Card Reader and Central Pay Models

| REF | PART NO. | DESCRIPTION | COMMENTS |
|-----------|----------|-------------------------------|---|
| | 203361P | Machine ID Control Assembly | |
| | F8673202 | Central Pay Kit | Models without external supply board; Includes item 13, 204094 Central Pay Assembly, 202758 Transformer, hardware and harnesses |
| | F8673204 | Central Pay Kit | Models with external supply board; Includes item 13, 204094 Central Pay Assembly, hardware and harnesses |
| | F8567309 | Front Tray Assembly | Includes items 1-3, 6, 8, 13, 14, 70413301 Pushbutton Switch |
| | F8567312 | Front Tray Assembly | Steam or electric heat; Includes items 1-8, 13, 14, and 70413301 Pushbutton Switch |
| | 44342801 | Central Pay Harness | Tray power harness |
| | F8519301 | Harness | Tray power harness |
| | F8519502 | Harness | Communication |
| | F8519702 | Coin Vault Bypass Harness | |
| | F8519601 | Harness | Coin access |
| | F8519403 | Emergency Stop Bypass Harness | |
| | F8555406 | Connector | 8 pin; Use with 204094 Central Pay Assembly |
| 1 | 70366201 | Wire Clip | |
| 2 | F8531001 | Front Tray Assembly | |
| 3 | F8449501 | Wire Clip | |
| 4 | 39282 | Hose Clamp | |
| 5 | F8609101 | Water Level Pressure Switch | Steam or electric heat |
| | F8405303 | Tubing | Electric heat |
| 6 | F8623401 | Pressure Sensor | |
| | F8405302 | Tubing | Electric heat |
| 7 | 203464 | Barbed Tee | Steam or electric heat |
| 8 | M411826 | Snap Bushing | |
| 9 | 685846 | Nut | |
| 10 | 70208801 | Mounting Plate | |
| 11 | F8201501 | Card Plate Assembly | |
| 12 | F8493901 | Control Assembly | |
| 13 | F140938 | Snap Bushing | |
| 14 | M402542 | Snap Bushing | |

Control Tray Assembly

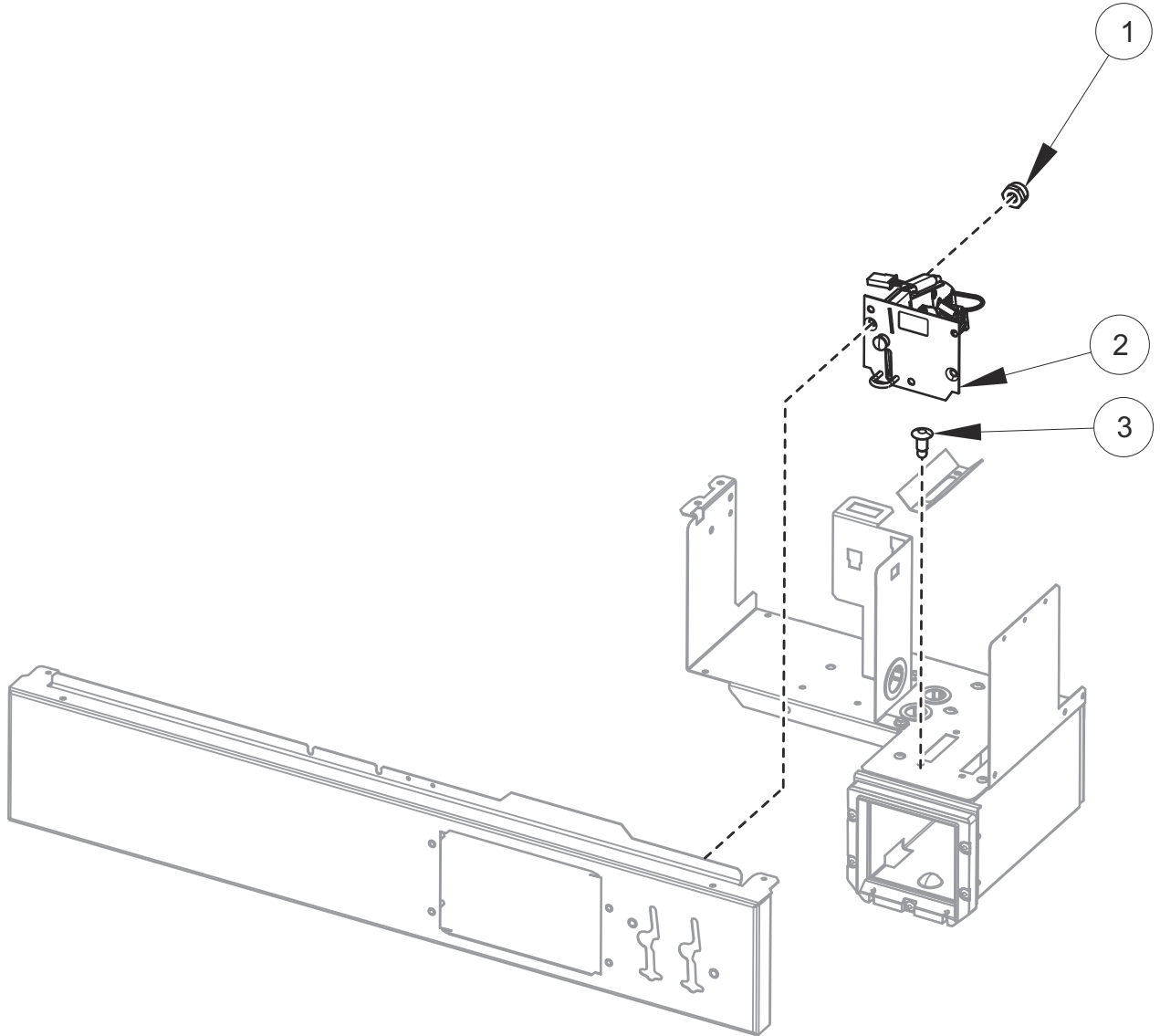


C-CHM5P2_F8674801

Control Tray Assembly

| REF | PART NO. | DESCRIPTION | COMMENTS |
|-----------|-----------|-----------------------------------|--|
| | F8520404 | Wireless Harness | Models through January 2019 |
| | F8674004 | Wireless Harness | Models starting February 2019 |
| | F8662402 | Wireless Kit | Models through January 2019; Includes items 4, 5, F8520404 Wireless Harness and labels |
| | F8676101 | Wireless Kit | Models starting February 2019; Includes items 4, 5, F8674004 Wireless Harness and labels |
| 1 | 202758 | Transformer | External supply |
| 2 | F8206901 | Screw | |
| 3 | F8491101 | Transformer | N and P voltage |
| 4 | 430497 | Screw | |
| 5 | 203532 | Wireless Network Control Assembly | Models through January 2019 |
| | 807211 | Wireless Network Control Assembly | Models starting February 2019 |
| 6 | 70030501 | Expansion Clip | |
| 7 | 70347601 | Wire Clip | External supply |
| 8 | M400003 | Pop Rivet | |
| 9 | 00622SG | Terminal | |
| 10 | F8449501 | Wire Clip | |
| 11 | F8530701 | Control Tray | |
| 12 | F8494101P | Input and Output Control Assembly | |

Flush Mount Coin Meter Assembly - Single Drop

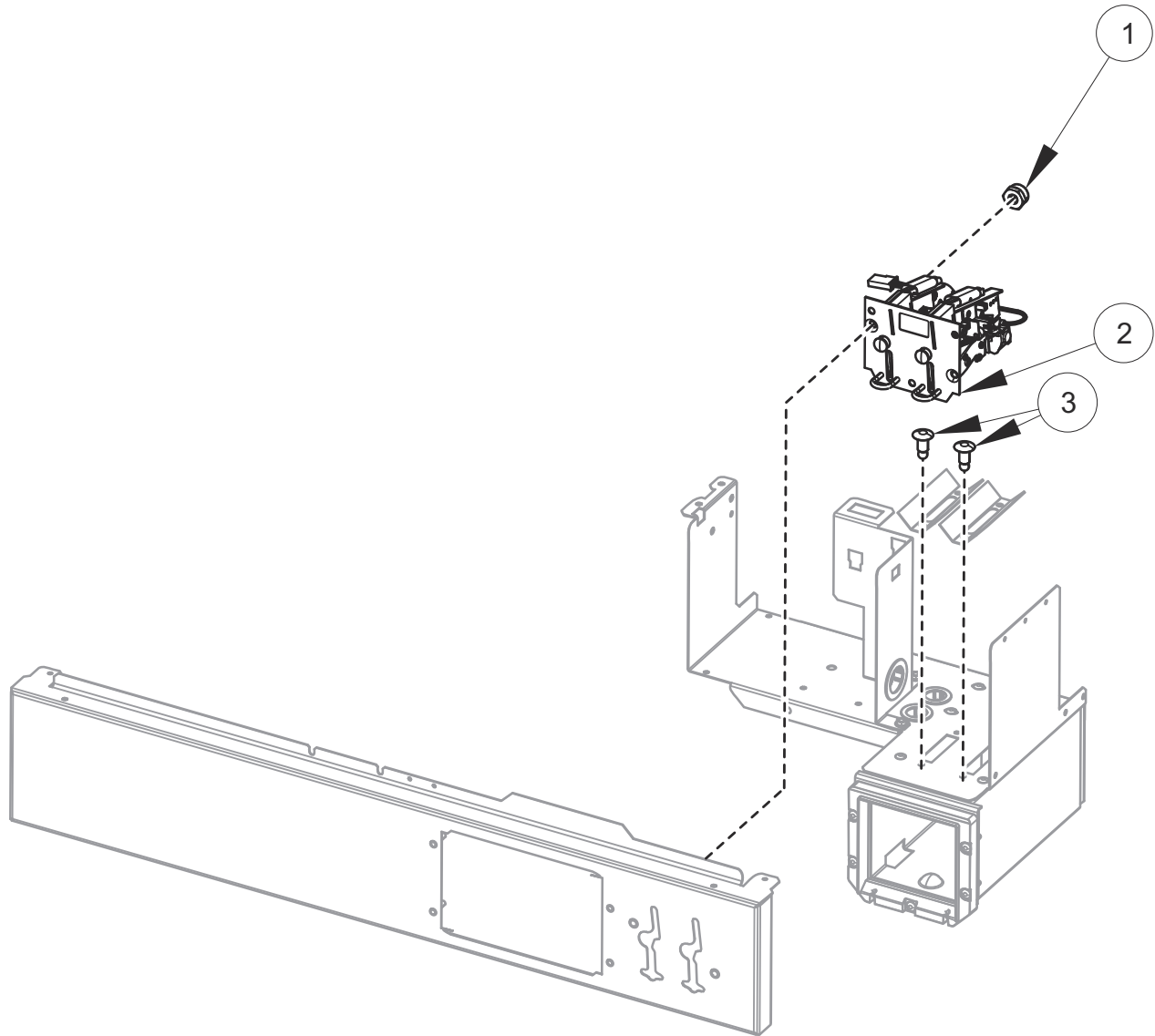


C-CHM6P7_F8674801

Flush Mount Coin Meter Assembly - Single Drop

| REF | PART NO. | DESCRIPTION | COMMENTS |
|----------|-----------|---------------------------|-----------------------|
| | 38725 | Coin Identification Paper | |
| | 200674P | Opto Coupler | |
| 1 | 685846 | Nut | |
| 2 | 70441601P | Coin Drop | U.S.A.; \$.25 |
| | 38475 | Coin Drop Assembly | Japan; 100 yen |
| | 38464P | Coin Drop Assembly | Canada; .25 |
| | CK077 | Coin Drop Kit | Taiwan; 10 NT |
| | 70506901 | Coin Drop Assembly | Singapore; \$1.00 NEW |
| | 38462P | Coin Drop Assembly | Token; STD 118-1 |
| | 38463 | Coin Drop Assembly | Token; STD 118-5 |
| | 38963P | Coin Drop | Token STD 118-16 |
| | 39748 | Coin Drop | Jeton 08MS |
| | 201141 | Coin Drop Assembly | Token; Jeton wh121 |
| | 70471601 | Coin Drop Assembly | Token; 7K |
| 3 | 70058501 | Pop Rivet | |

Flush Mount Coin Meter Assembly - Dual Drop

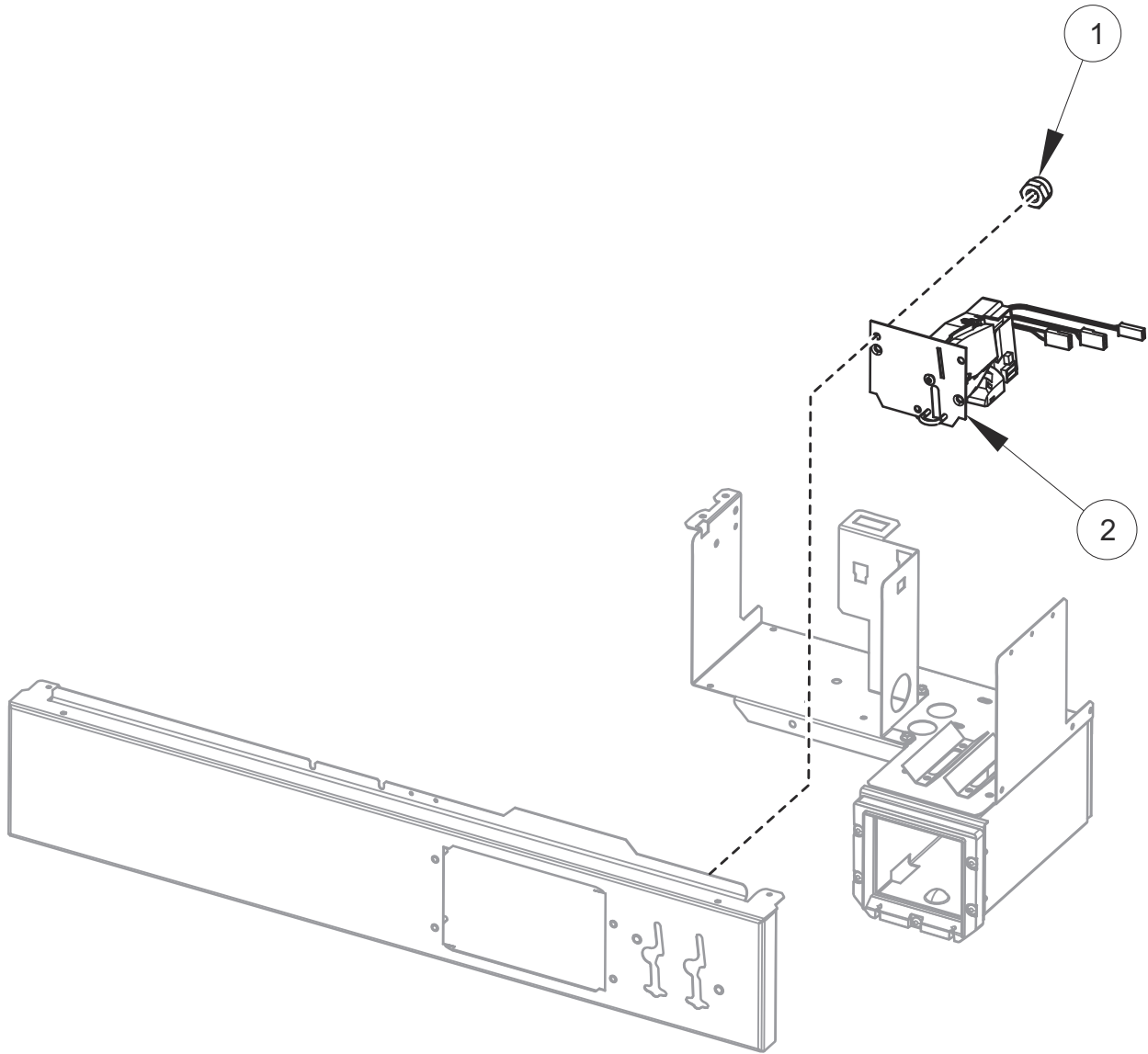


C-CHM6P8_F8674801

Flush Mount Coin Meter Assembly - Dual Drop

| REF | PART NO. | DESCRIPTION | COMMENTS |
|----------|-------------|---------------------------|--------------------------------|
| | 38725 | Coin Identification Paper | |
| | 200674P | Opto Coupler | |
| 1 | 685846 | Nut | |
| 2 | 70441603 | Coin Drop | U.S.A.; \$.25 and \$1.00 |
| | 38519 | Coin Drop Assembly | Japan; 100 yen and 500 yen |
| | 70441602 | Coin Drop Assembly | Canada; .25 and \$1.00 |
| | 38467 | Coin Drop Assembly | Australia; \$0.20 and \$1.00 |
| | 70447301 | Coin Drop Assembly | Australia; \$1.00 and \$2.00 |
| | 70283102 | Coin Drop Assembly | 0.20 and 0.50 Euro |
| | 210195 | Coin Drop Assembly | 0.20 and 1.00 Euro |
| | 210196 | Coin Drop Assembly | 0.50 and 1.00 Euro |
| | F0160737-00 | Coin Meter | 0.50 and 2.00 Euro |
| | 70281102 | Coin Drop Assembly | Taiwan; 10 and 50 NT |
| | 70482401 | Coin Drop Assembly | New Zealand; \$1.00 and \$2.00 |
| 3 | 70058501 | Pop Rivet | |

Electronic Coin Meter Assembly

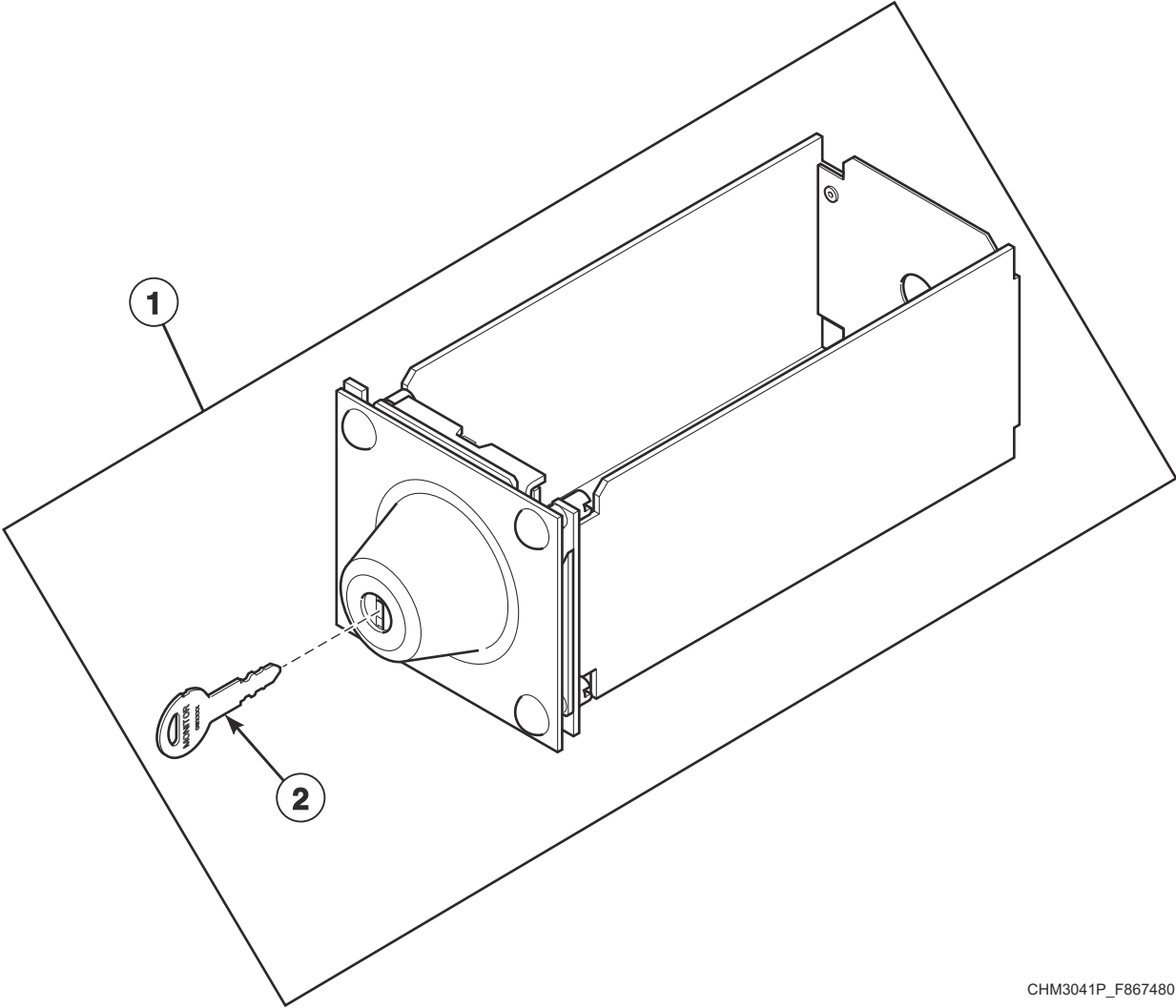


C-CHM6P6_F8674801

Electronic Coin Meter Assembly

| REF | PART NO. | DESCRIPTION | COMMENTS |
|----------|-----------|-------------------------------|---|
| | 38725 | Coin Identification Paper | |
| | CK500 | Electronic Coin Drop Kit | For use when installing Electronic Coin Drop Kits |
| | F8034701P | Pulse Expander Assembly | |
| 1 | F430215 | Nut | |
| 2 | 70513302 | Electronic Coin Drop Assembly | Euro and Great Britain coins |
| | 70513310 | Electronic Coin Drop Assembly | Japan and Thailand coins |
| | 70513304 | Electronic Coin Drop Assembly | Australia, New Zealand, Hong Kong and South Korea coins |
| | 70513303 | Electronic Coin Drop Assembly | Denmark, Norway and Euro coins |
| | 70513306 | Electronic Coin Drop Assembly | Mexico, Ecuador and U.S.A. coins |
| | 70294107 | Electronic Coin Drop Assembly | Lithuania, Latvia and Euro coins |
| | 70513311 | Electronic Coin Drop Assembly | Chiang and Malaysia coins |
| | 70513308 | Electronic Coin Drop Assembly | South African 1 and 5 rand coins |
| | 70513309 | Electronic Coin Drop Assembly | Euro coins |
| | 70513312 | Electronic Coin Drop Assembly | Russia coins |
| | 70513313 | Electronic Coin Drop Assembly | Philippines coins |
| | 70513314 | Electronic Coin Drop Assembly | Thailand coins |
| | 70513315 | Electronic Coin Drop Assembly | Chile coins |
| | 70513316 | Electronic Coin Drop Assembly | Singapore coins |
| | CK115 | Electronic Coin Drop Kit | United States and Canada; Includes 38725 Coin Identification Paper |
| | CK099 | Electronic Coin Drop Kit | Australia (default), New Zealand, Hong Kong, South Korea and Malaysia; Includes 38725 Coin Identification Paper |
| | CK100 | Electronic Coin Drop Kit | United Kingdom (default) and Europe; Includes 38725 Coin Identification Paper |
| | CK101 | Electronic Coin Drop Kit | Europe (default), Denmark and Norway; Includes 38725 Coin Identification Paper |
| | CK108 | Electronic Coin Drop Kit | South Africa; Includes 38725 Coin Identification Paper |
| | CK109 | Electronic Coin Drop Kit | Euro; Includes 38725 Coin Identification Paper |
| | CK110 | Electronic Coin Drop Kit | Mexico (default), Ecuador and United States; Includes 38725 Coin Identification Paper |
| | CK113 | Electronic Coin Drop Kit | Japan and Taiwan; Includes 38725 Coin Identification Paper |
| | CK116 | Electronic Coin Drop Kit | Malaysia (default) and China; Includes 38725 Coin Identification Paper |
| | CK117 | Electronic Coin Drop Kit | Russia; Includes 38725 Coin Identification Paper |
| | CK118 | Electronic Coin Drop Kit | Philippine; Includes 38725 Coin Identification Paper |
| | CK119 | Electronic Coin Drop Kit | Thailand; Includes 38725 Coin Identification Paper |
| | CK120 | Electronic Coin Drop Kit | Chile; Includes 38725 Coin Identification Paper |
| | CK121 | Electronic Coin Drop Kit | Singapore; Includes 38725 Coin Identification Paper |
| | CK122 | Coin Drop Kit | New Zealand; 1.00 and 2.00; Includes 38725 Coin Identification Paper |

Optional Coin Box

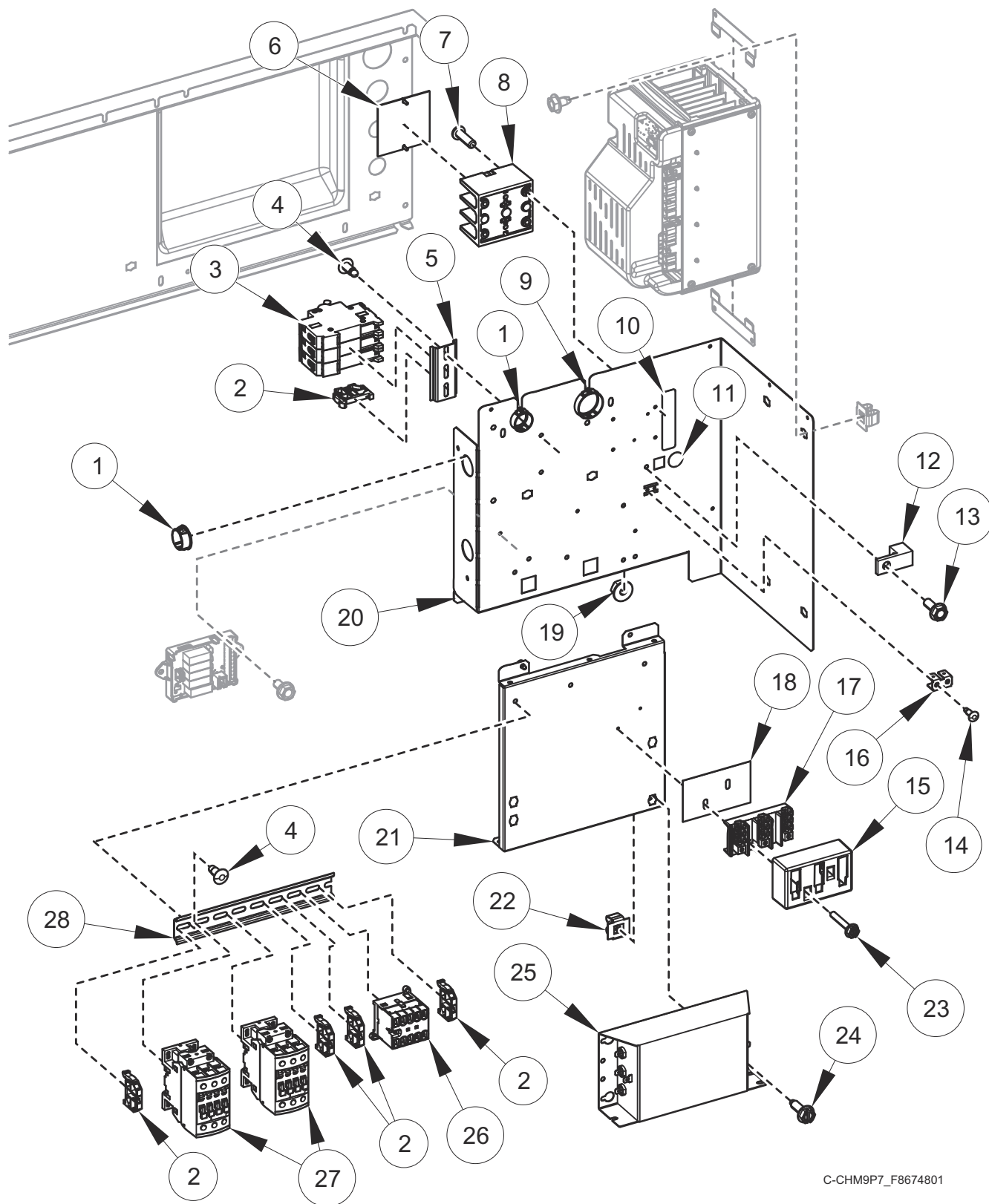


CHM3041P_F8674801

Optional Coin Box

| REF | PART NO. | DESCRIPTION | COMMENTS |
|-----|----------|----------------------|----------|
| 1 | F8182001 | Coin Drawer Assembly | |
| 2 | F160420 | Key | GW0023 |

Inverter Drive Box - Q and X Voltage

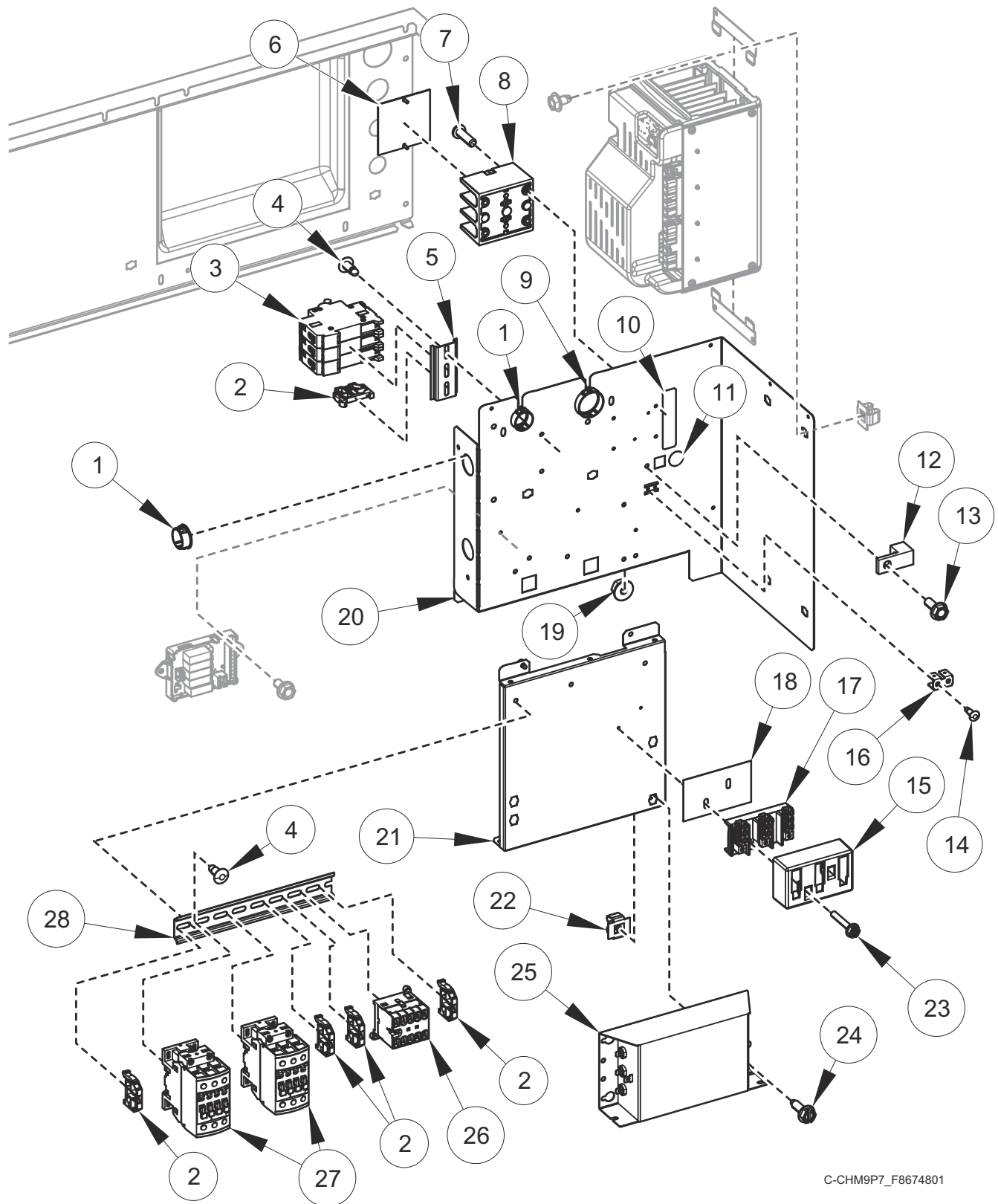


C-CHM9P7_F8674801

Inverter Drive Box - Q and X Voltage

| REF | PART NO. | DESCRIPTION | COMMENTS |
|-----------|-----------|--------------------------------|---|
| | F8567003 | Drive Panel Base Assembly | Includes items 4, 11, 12, 16, 23, 24 and 29 |
| | F8567004 | Drive Panel Base Assembly | Electric heat; Includes items 4, 5, 11, 12, 16, 23, 24 and 29 |
| | F8583501 | Jumper | Circuit breaker jumper; Electric heat |
| | F8518401 | Harness | Power TB1; X voltage |
| | F8518403 | Harness | Power CB; Q voltage; Electric heat |
| | F8518404 | Harness | Power filter |
| | F8518606 | Harness | Power drive |
| | F8528001 | Harness | TB filter |
| | F8528003 | Harness | CB filter; Electric heat |
| | F8528005 | Harness | TB2 filter |
| | F8619101 | Power Harness | Power contactor; Electric heat |
| | F8619102 | Harness | Power contactor; Electric heat; IEC |
| | F8662813 | Filter Kit | Includes items 1, 15, 17, 18, 22-25, harness and labels; Q voltage; Electric heat |
| | F8662808 | Filter Kit | Includes items 1, 15, 17, 18, 22-25, harness and labels; X voltage |
| 1 | F140938 | Snap Bushing | |
| 2 | F8449801 | End Stop | |
| 3 | 70488101 | Circuit Breaker | 3P; 25A; Electric heat |
| 4 | 70058501 | Pop Rivet | |
| 5 | B12315401 | DIN Rail | 7.5 mm x 35 mm x 72 mm; Electric heat |
| 6 | 44014901P | Power Distribution Block Cover | Electric heat |
| 7 | 39733 | Screw | Electric heat |
| 8 | M413865 | Power Distribution Block | Electric heat |
| 9 | 70346501 | Bushing | |
| 10 | 44286803 | Label | Power input; L1, L2, L3 |
| | 44286804 | Wire Label | Power input; L1, L2/N; L1, L2, L3; X voltage |
| 11 | D516100 | Label | |
| 12 | M411283 | Ground Lug Connector | |
| 13 | 685837 | Screw | |
| 14 | M400003 | Pop Rivet | |
| 15 | 70333001 | Terminal Block Shield | |
| 16 | 00622SG | Terminal | |
| 17 | 430642 | Terminal Block | |
| 18 | M413862 | Insulator | |
| 19 | 44088001 | Nut | |
| 20 | F8530803 | Drive Terminal Tray | |
| 21 | F8530901 | Contactors Tray | |
| 22 | 70030501 | Expansion Clip | |
| 23 | 51783 | Screw | |
| 24 | F8206901 | Screw | |
| 25 | F8591801 | EMI Filter | 200/240 Volt; 1/3 Phase; 20 Amp |
| | F8637501 | EMI Filter | 380/480 Volt; 3 Phase; 12 Amp |
| 26 | 70482601 | Contactors | 5.5kW/500V; 24VDC |
| 27 | 70482701 | Contactors | 50A; 24VDC |
| 28 | M412689 | DIN Rail | 7.5 mm x 35 mm x 8.364 inch |

Inverter Drive Box - N and P Voltage

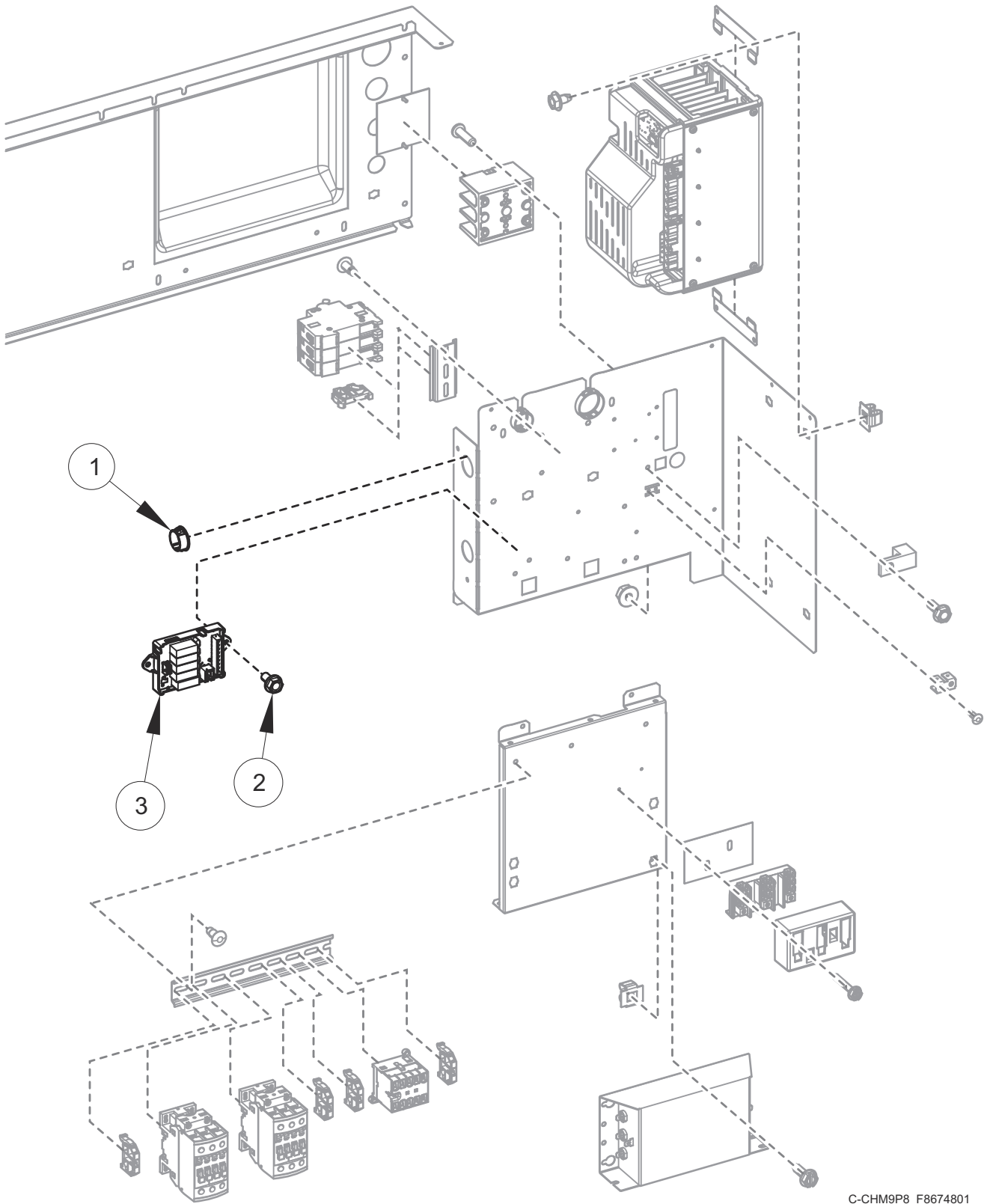


C-CHM9P7_F8674801

Inverter Drive Box - N and P Voltage

| REF | PART NO. | DESCRIPTION | COMMENTS |
|-----------|-----------|--------------------------------|--|
| | F8567003 | Drive Panel Base Assembly | Includes items 4, 11, 12, 16, 23, 24 and 29 |
| | F8567004 | Drive Panel Base Assembly | Electric heat; Includes items 4, 5, 11, 12, 16, 23, 24 and 29 |
| | F8583501 | Jumper | Circuit breaker jumper; Electric heat |
| | F8518501 | Harness | |
| | F8518403 | Harness | Electric heat |
| | F8518503 | Harness | Electric heat |
| | F8518504 | Harness | Power filter |
| | F8518606 | Harness | Power drive |
| | F8528001 | Harness | TB filter |
| | F8528003 | Harness | CB filter; Electric heat |
| | F8528005 | Harness | TB2 filter |
| | F8619101 | Power Harness | Power contactor; Electric heat |
| | F8619102 | Harness | Power contactor; Electric heat |
| | F8662814 | Filter Kit | Includes items 1, 15, 17, 18, 22-25, harness and labels; Electric heat |
| | F8662807 | Filter Kit | Includes items 1, 15, 17, 18, 22-25, harness and labels |
| 1 | F140938 | Snap Bushing | |
| 2 | F8449801 | End Stop | |
| 3 | 70488101 | Circuit Breaker | 3P; 25A; Electric heat |
| 4 | 70058501 | Pop Rivet | |
| 5 | B12315401 | DIN Rail | 7.5 mm x 35 mm x 72 mm; Electric heat |
| 6 | 44014901P | Power Distribution Block Cover | Electric heat |
| 7 | 39733 | Screw | Electric heat |
| 8 | M413865 | Power Distribution Block | Electric heat |
| 9 | 70346501 | Bushing | |
| 10 | 44286803 | Label | Power input; L1, L2, L3 |
| 11 | D516100 | Label | |
| 12 | M411283 | Ground Lug Connector | |
| 13 | 685837 | Screw | |
| 14 | M400003 | Pop Rivet | |
| 15 | 70333001 | Terminal Block Shield | |
| 16 | 00622SG | Terminal | |
| 17 | 430642 | Terminal Block | |
| 18 | M413862 | Insulator | |
| 19 | 44088001 | Nut | |
| 20 | F8530803 | Drive Terminal Tray | |
| 21 | F8530901 | Contactors Tray | |
| 22 | 70030501 | Expansion Clip | |
| 23 | 51783 | Screw | |
| 24 | F8206901 | Screw | |
| 25 | F8591801 | EMI Filter | 200/240 Volt; 1/3 Phase; 20 Amp |
| | F8637501 | EMI Filter | 380/480 Volt; 3 Phase; 12 Amp |
| 26 | 70482601 | Contactors | 5.5kW/500V; 24VDC |
| 27 | 70482701 | Contactors | 50A; 24VDC |
| 28 | M412689 | DIN Rail | 7.5 mm x 35 mm x 8.364 inch |

External Supply Kit

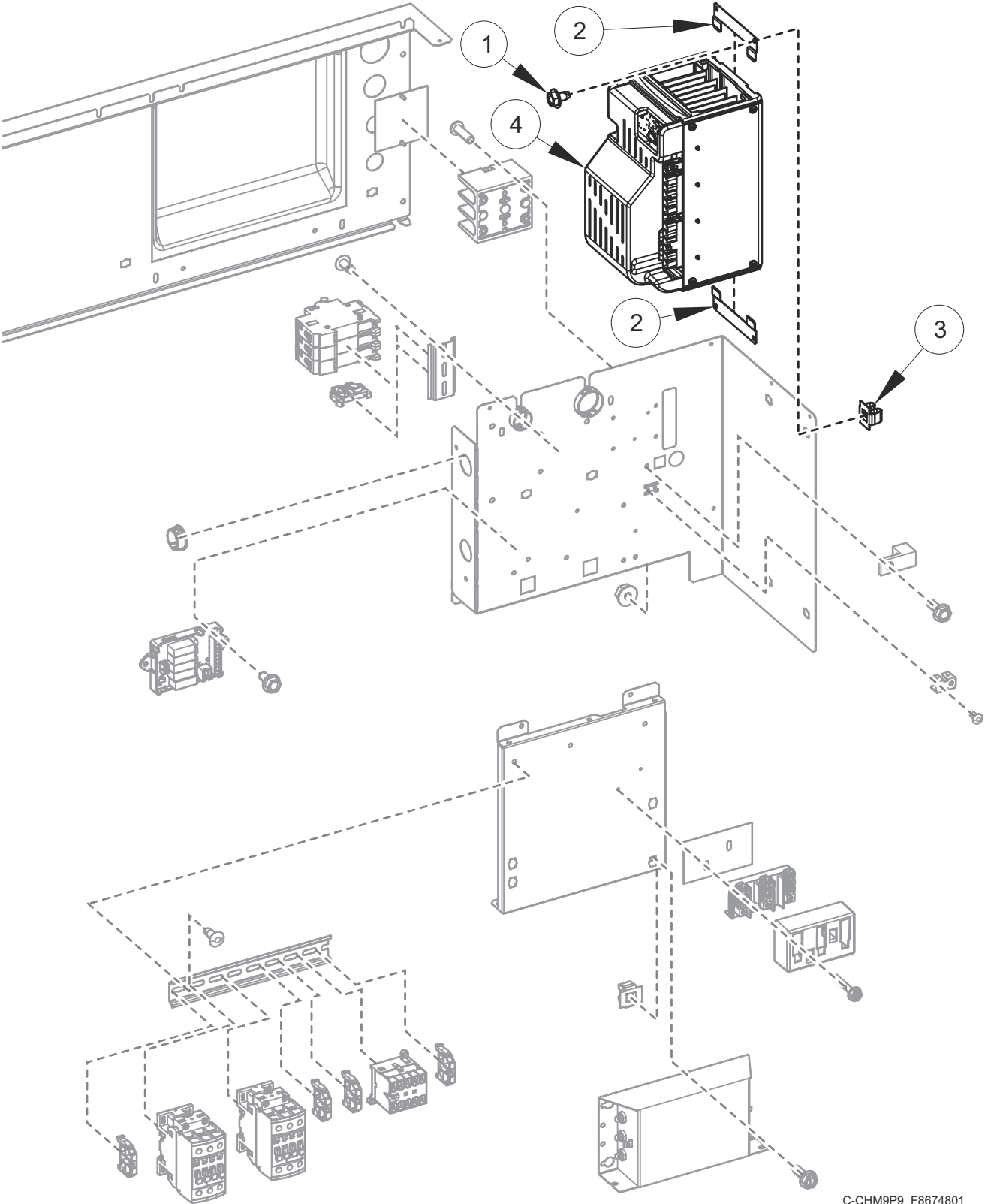


C-CHM9P8_F8674801

External Supply Kit

| REF | PART NO. | DESCRIPTION | COMMENTS |
|----------|----------|----------------------------|---|
| | F8662508 | External Supply Kit | Coin and central pay models; Includes items 1-3, 202758 Transformer, F8520602 Harness, F8528204 Harness, hardware and labels; 4 out |
| | F8662504 | External Supply Kit | Card ready models; Includes items 1-3, F8520602 Harness, F8528204 Harness and labels; 4 out |
| | F8520602 | Harness | Communication |
| | F8528204 | Harness | Power |
| 1 | F140938 | Snap Bushing | |
| 2 | 430497 | Screw | |
| 3 | 804528 | Chemical Injection Control | 5 output |
| | 70493102 | Connector | 9 pin; H2 |

Inverter Drive

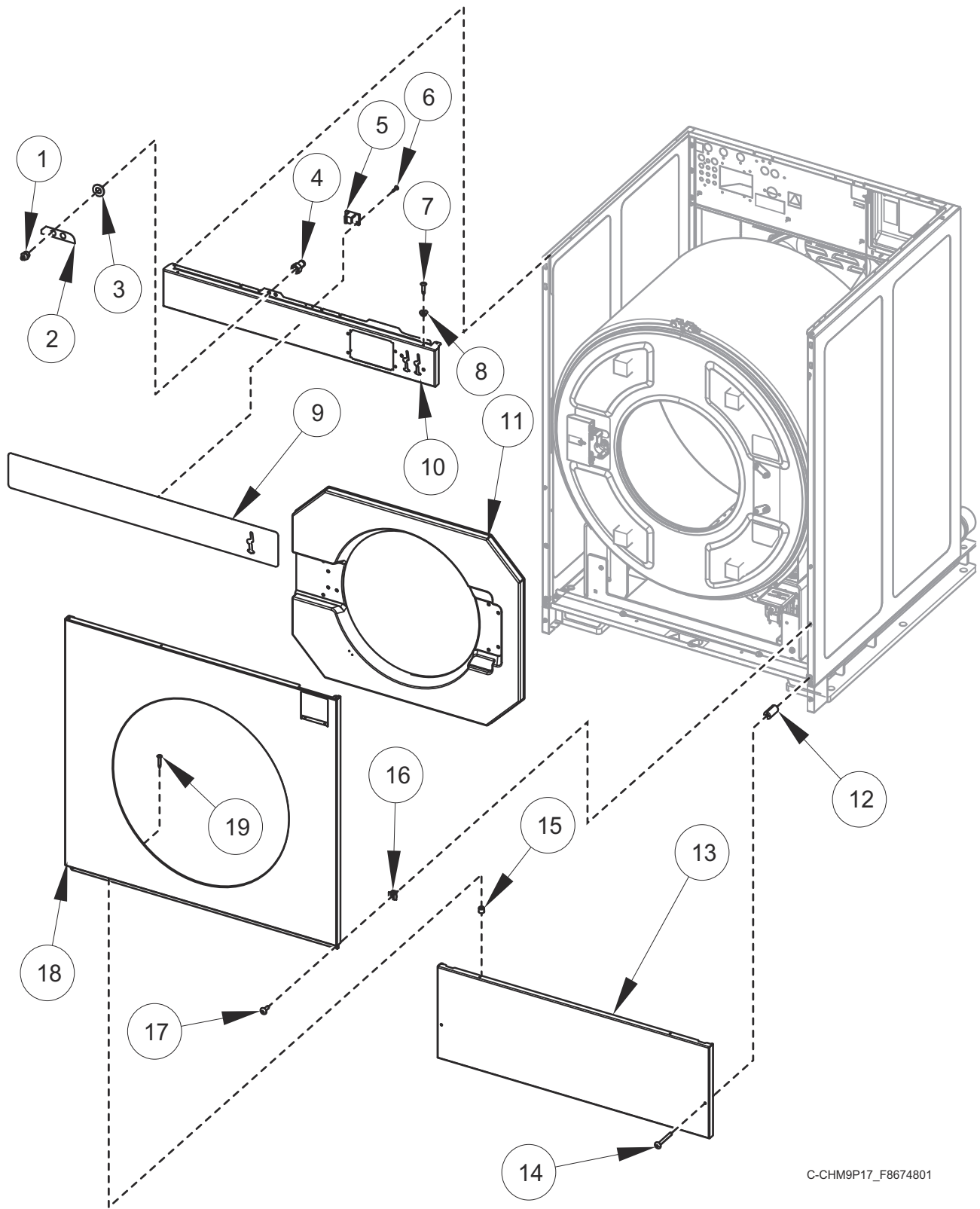


C-CHM9P9_F8674801

Inverter Drive

| REF | PART NO. | DESCRIPTION | COMMENTS |
|----------|----------|-----------------------------|---------------------------------|
| | F8519202 | Drive Communication Harness | Electric heat; N and P voltage |
| | F8519203 | Drive Communication Harness | Electric heat; Q voltage |
| | F8519201 | Drive Communication Harness | Standard |
| | F8519204 | Drive Communication Harness | Steam heat |
| | F8518603 | Drive Power Harness | 2/3/5 hp; 480 Volt |
| 1 | D503688 | Screw | |
| 2 | F8322401 | Drive Mounting Bracket | |
| 3 | 70030501 | Expansion Clip | |
| 4 | F8496601 | Drive Assembly | Q and X voltage; 5 hp; 240 Volt |
| | F8496901 | Drive Assembly | N and P voltage; 5 hp; 480 Volt |

Front Panels and Control Panel - Coin Models

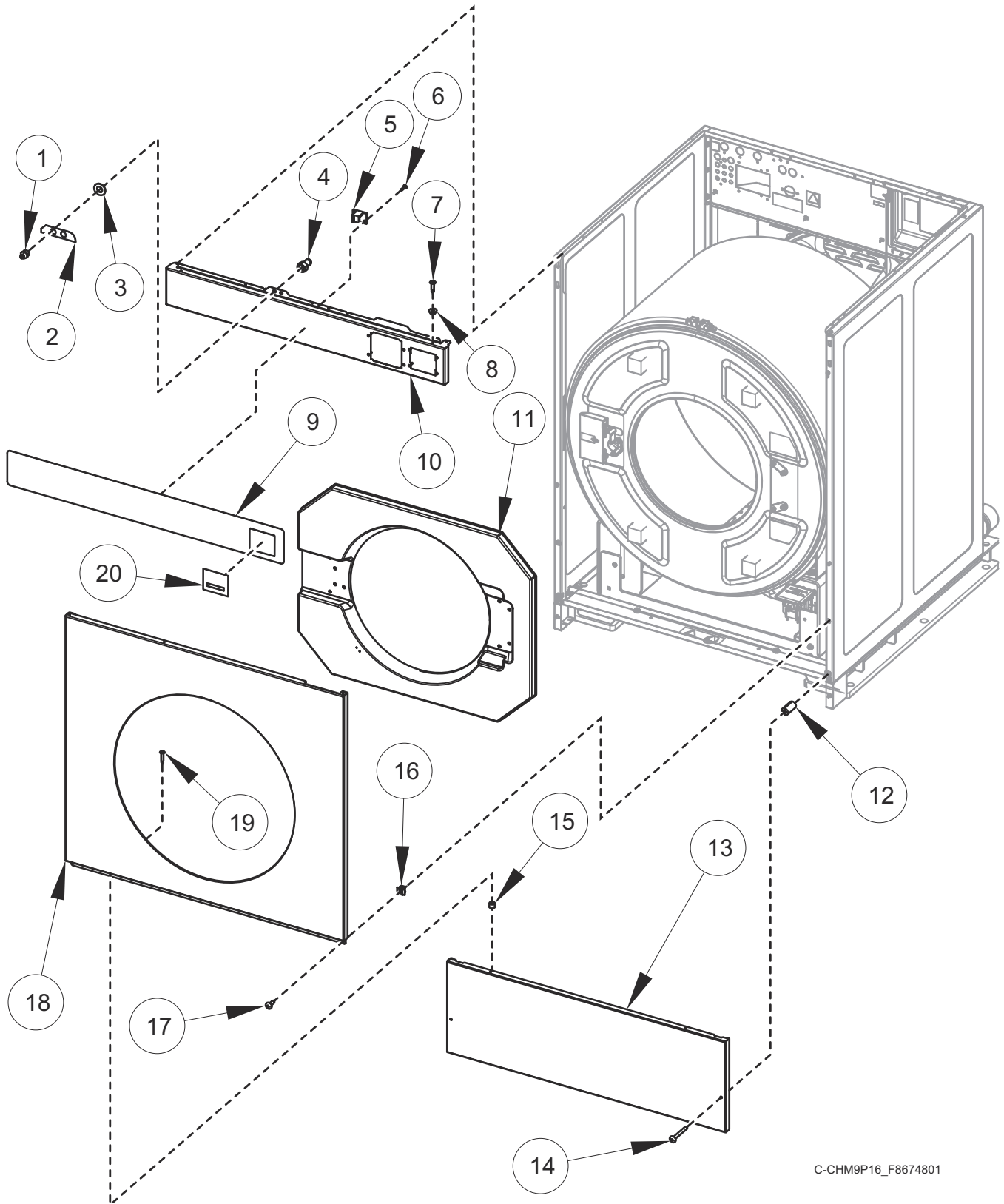


C-CHM9P17_F8674801

Front Panels and Control Panel - Coin Models

| REF | PART NO. | DESCRIPTION | COMMENTS |
|-----|-----------|-------------------------------|--|
| 1 | F190701 | Grease Fitting | |
| 2 | F8613501 | Label | Grease instruction notice |
| 3 | 70292801 | Washer | |
| 4 | F422114 | Air Coupling | |
| | F8245713 | Hose | |
| 5 | F8201001 | Top Cover Latch | |
| 6 | F431215 | Pop Rivet | |
| 7 | 70412601 | Pop Rivet | |
| 8 | F8201101 | Washer | |
| 9 | F8641601 | Overlay | Single coin; Gray |
| | F8641602 | Overlay | Dual coin; Gray |
| | F8641605 | Overlay | World drop; Gray |
| | F8594301 | Overlay | 80 pound models; Single coin; Citron |
| | F8594302 | Overlay | 80 pound models; Dual coin; Citron |
| | F8594901 | Overlay | 80 pound models; Single coin; Cityscape |
| | F8594902 | Overlay | 80 pound models; Dual coin; Cityscape |
| | F8594401 | Overlay | 100 pound models; Single coin; Citron |
| | F8594402 | Overlay | 100 pound models; Dual coin; Citron |
| | F8595001 | Overlay | 100 pound models; Single coin; Cityscape |
| | F8595002 | Overlay | 100 pound models; Dual coin; Cityscape |
| | 70556801 | Overlay | Secondary world drop; Right drop; Gray |
| | 70556601 | Overlay | Secondary world drop; Left drop; Gray |
| 10 | F8552601 | Control Panel Assembly | |
| 11 | F170419-3 | Door Bezel | |
| 12 | F8609701 | Access Panel Retaining Spacer | |
| 13 | F8552702 | Access Panel | |
| 14 | F8589501 | Screw | |
| 15 | 56079 | Panel Locator | |
| 16 | 70030501 | Expansion Clip | |
| 17 | F8117601 | Screw | |
| 18 | F8552801 | Front Panel | |
| 19 | M412763 | Rivet | |

Front Panels and Control Panel - Card Ready and Central Pay Models

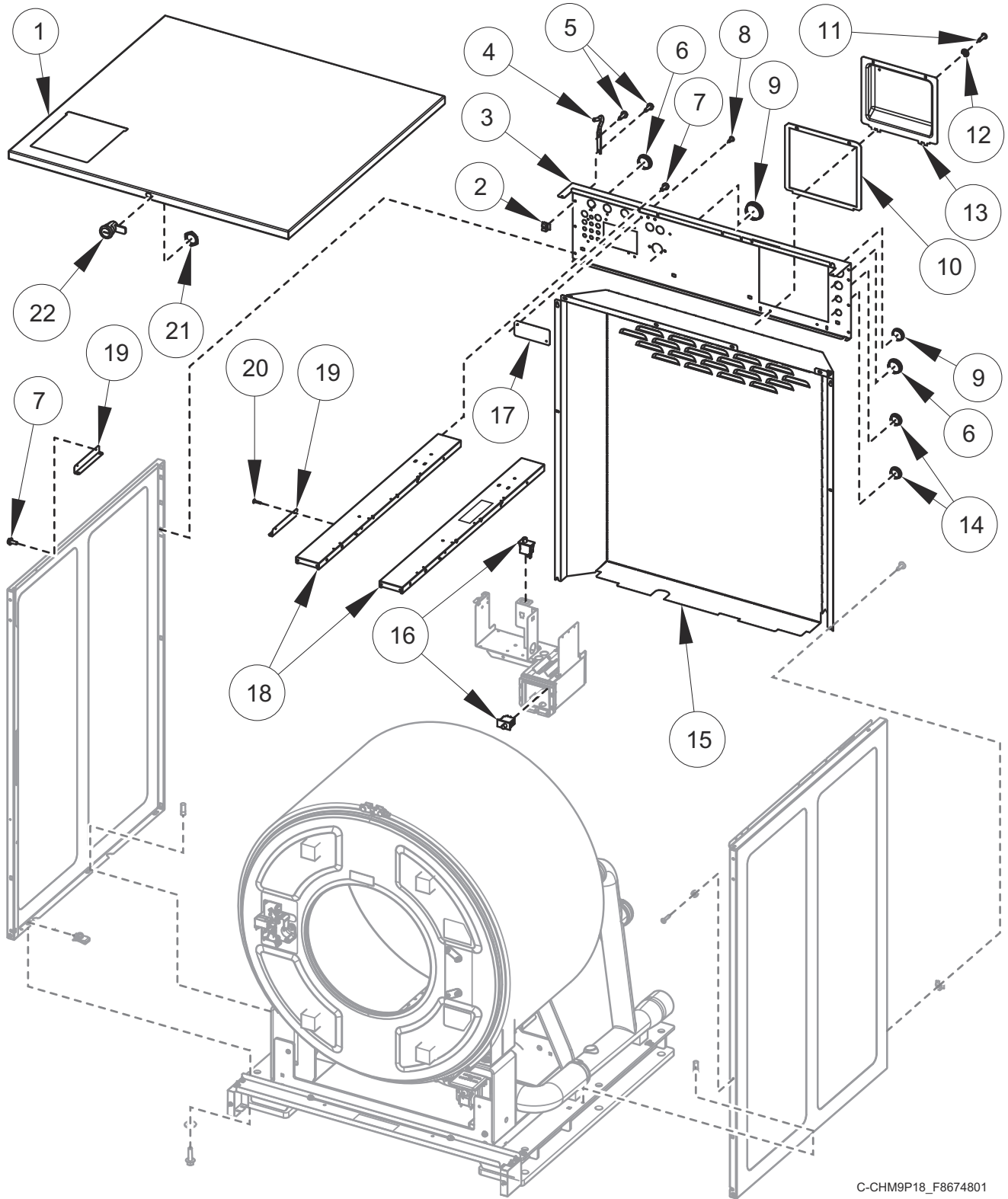


C-CHM9P16_F8674801

Front Panels and Control Panel - Card Ready and Central Pay Models

| REF | PART NO. | DESCRIPTION | COMMENTS |
|-----|-----------|-------------------------------|--|
| 1 | F190701 | Grease Fitting | |
| 2 | F8613501 | Label | Grease instruction notice |
| 3 | 70292801 | Washer | |
| 4 | F422114 | Air Coupling | |
| | F8245713 | Hose | |
| 5 | F8201001 | Top Cover Latch | |
| 6 | F431215 | Pop Rivet | |
| 7 | 70412601 | Pop Rivet | |
| 8 | F8201101 | Washer | |
| 9 | F8641603 | Overlay | Card ready models; Gray |
| | F8641604 | Overlay | Central pay models; Gray |
| | F8594303 | Overlay | 80 pound card ready models; Green |
| | F8594403 | Overlay | 100 pound central pay models; Green |
| | F8594903 | Overlay | 80 pound card ready models; Gray/green |
| | F8595003 | Overlay | 100 pound central pay models; Gray/green |
| 10 | F8552604 | Control Panel Assembly | |
| 11 | F170419-1 | Door Bezel | |
| 12 | F8609701 | Access Panel Retaining Spacer | |
| 13 | F8552702 | Access Panel | |
| 14 | F8589501 | Screw | |
| 15 | 56079 | Panel Locator | |
| 16 | 70030501 | Expansion Clip | |
| 17 | F8117601 | Screw | |
| 18 | F8552802 | Front Panel | |
| 19 | M412763 | Rivet | |
| 20 | 70556501 | Overlay | Card ready models; Gray |
| | 70556502 | Overlay | Central pay models; Gray |
| | 70518101 | Overlay | Card ready models; Green |
| | 70518102 | Overlay | Central pay models; Green |

Rear and Top Panels

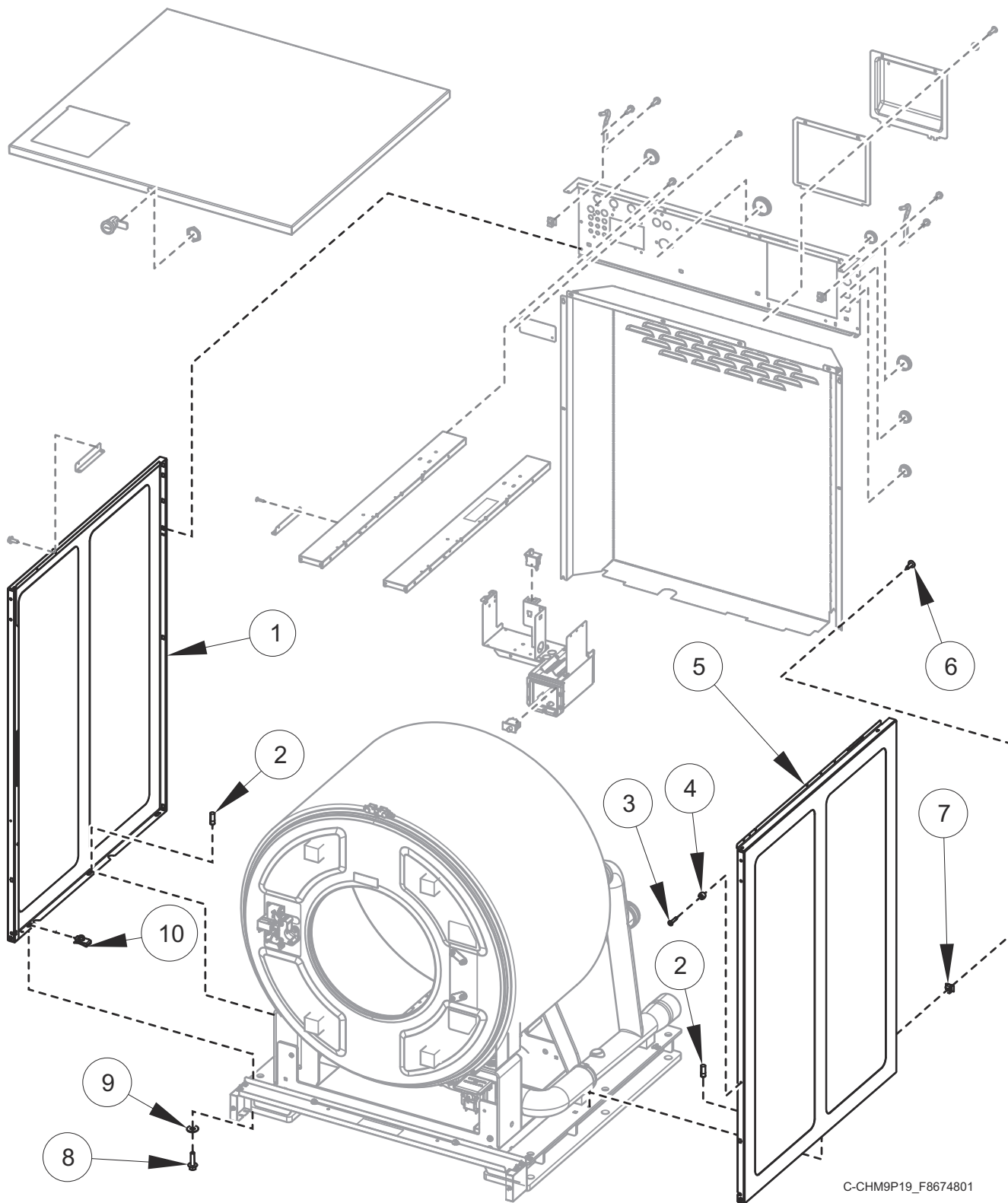


C-CHM9P18_F8674801

Rear and Top Panels

| REF | PART NO. | DESCRIPTION | COMMENTS |
|-----|-----------|---------------------|------------------|
| 1 | F8553301 | Top Cover | 80 pound models |
| | F8553302 | Top Cover | 100 pound models |
| 2 | 70030501 | Expansion Clip | |
| 3 | F8553401 | Valve Panel | |
| 4 | F8258601 | Top Cover Hinge | |
| 5 | F8206901 | Screw | |
| 6 | F8223901 | Plug | |
| 7 | 33562 | Screw | |
| 8 | 685847 | Pop Rivet | |
| 9 | F8223801 | Hole Plug | |
| 10 | F8542601 | Gasket | |
| 11 | 70412601 | Pop Rivet | |
| 12 | 804501 | Washer | |
| 13 | F8518301 | Terminal Tray Cover | |
| 14 | M400985 | Plug | |
| 15 | F8555301 | Rear Panel | |
| 16 | 70413301 | Pushbutton Switch | |
| 17 | F8586301 | Fill Cover | |
| 18 | F8556901 | Cabinet Brace | 80 pound models |
| | F8556902 | Cabinet Brace | 100 pound models |
| 19 | F8525701 | Dispenser Bracket | |
| 20 | F431215 | Pop Rivet | |
| 21 | 44088801 | Nut | |
| 22 | 44089303P | Panel Lock | |
| | 70155603 | Key | |

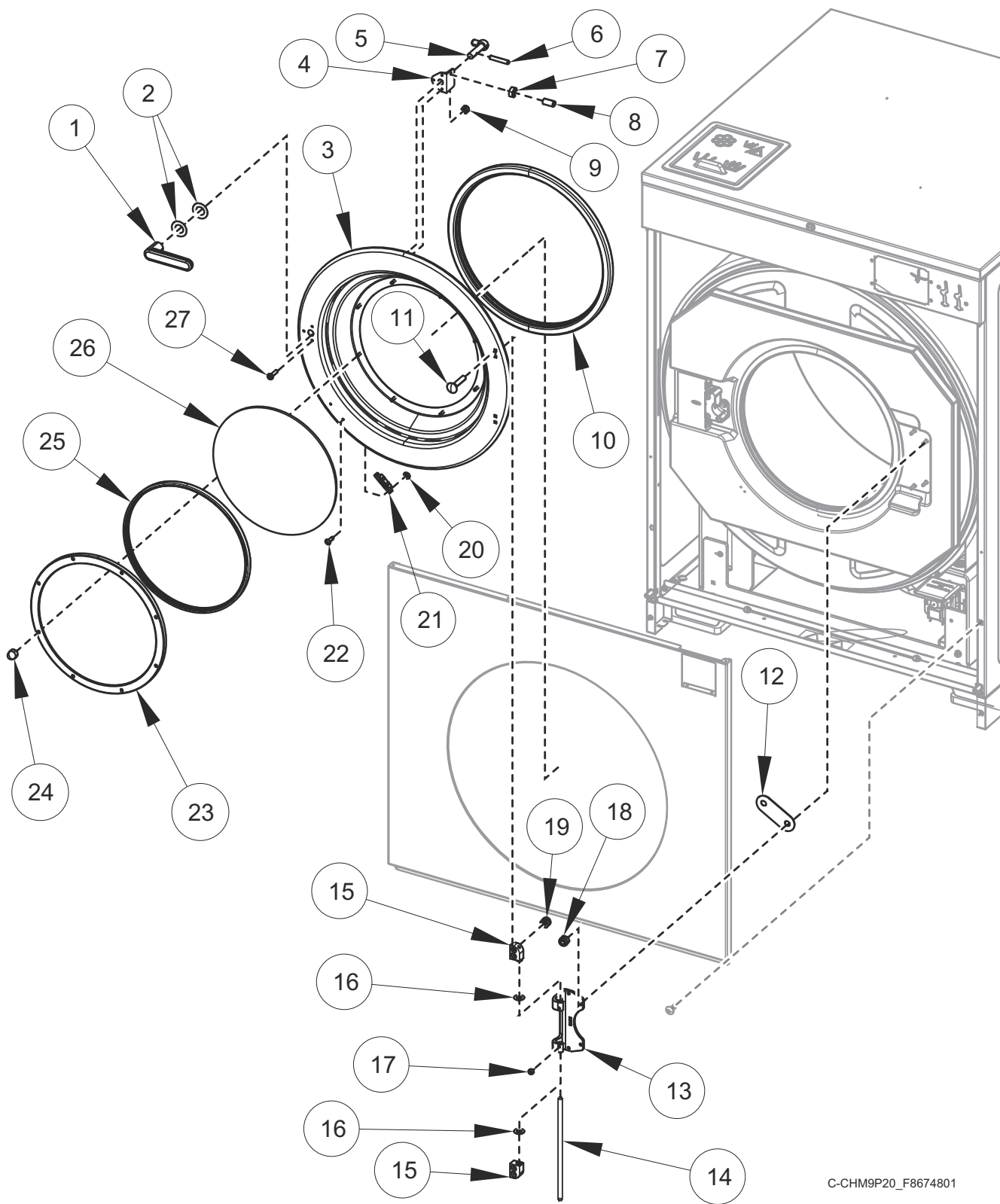
Side Panels



Side Panels

| REF | PART NO. | DESCRIPTION | COMMENTS |
|-----|----------|----------------|--|
| 1 | F8553002 | Side Panel | 80 pound models; Left; Stainless steel |
| | F8553102 | Side Panel | 100 pound models; Left; Stainless steel |
| 2 | F8502101 | Pin | |
| 3 | M412763 | Rivet | |
| 4 | 56079 | Panel Locator | |
| 5 | F8553001 | Side Panel | 80 pound models; Right; Stainless steel |
| | F8553101 | Side Panel | 100 pound models; Right; Stainless steel |
| 6 | F8117601 | Screw | |
| 7 | 70030501 | Expansion Clip | |
| 8 | 202175 | Screw | |
| 9 | M405535 | Washer | |
| 10 | 70030401 | Nut | |

Door

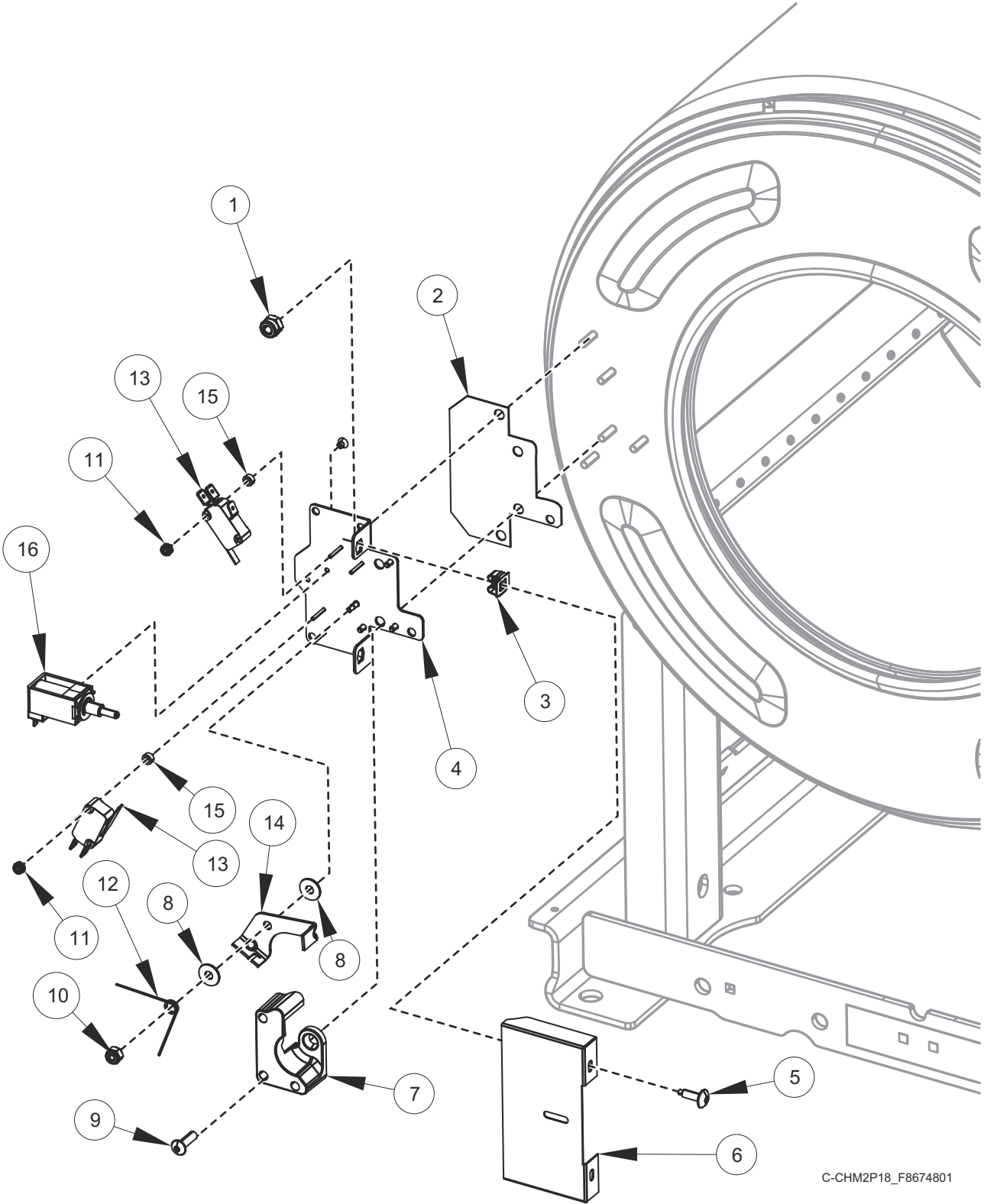


C-CHM9P20_F8674801

Door

| REF | PART NO. | DESCRIPTION | COMMENTS |
|-----|-------------|-------------------------|--|
| | F8505102 | Door Assembly | Includes items 1-11, 13-15 and 20-27 |
| | F8505105 | Door Assembly | Chrome; Includes items 1-11, 13-15 and 20-27 |
| | F8505112 | Door Assembly | Chrome and green; Includes items 1-11, 13-15 and 20-27 |
| | F8505111 | Door Assembly | Green; Includes items 1-11, 13-15 and 20-27 |
| 1 | F8544701 | Door Handle | |
| 2 | F431916 | Washer | |
| 3 | F8505001 | Door | |
| | F8508801 | Door | Chrome |
| 4 | F8567501 | Door Handle Spacer Kit | |
| 5 | F8221403 | Door Latch Arm Assembly | Includes latch arm shaft, latch arm support and sleeve |
| 6 | F431222 | Spring Pin | |
| 7 | F431041 | Nut | |
| 8 | F430532 | Screw | |
| 9 | F430232 | Nut | |
| 10 | F8440801P | Door Gasket | |
| 11 | F430974 | Bolt | |
| | F8508101 | Bolt | Chrome |
| 12 | F200131000P | Door Hinge Shim Kit | |
| 13 | F190216P | Door Hinge | |
| 14 | F602813-3 | Rod | |
| 15 | F150271 | Door Mount | |
| 16 | F431929 | Washer | Non-ferrous |
| | F431147 | Washer | |
| 17 | F430536 | Screw | |
| 18 | F431024 | Nut | |
| 19 | F430215 | Nut | |
| 20 | F431133 | Washer | |
| 21 | F8390801 | Magnet | |
| 22 | F431223 | Pop Rivet | |
| 23 | F8504903 | Door Glass Retainer | |
| | F8504902 | Door Glass Retainer | Chrome |
| 24 | F8549401 | Nut | |
| 25 | F8499904 | Door Glass Gasket | |
| 26 | F8342001 | Door Glass | |
| | F8342002 | Door Glass | Green |
| 27 | F8535501 | Screw | |

Door Lock

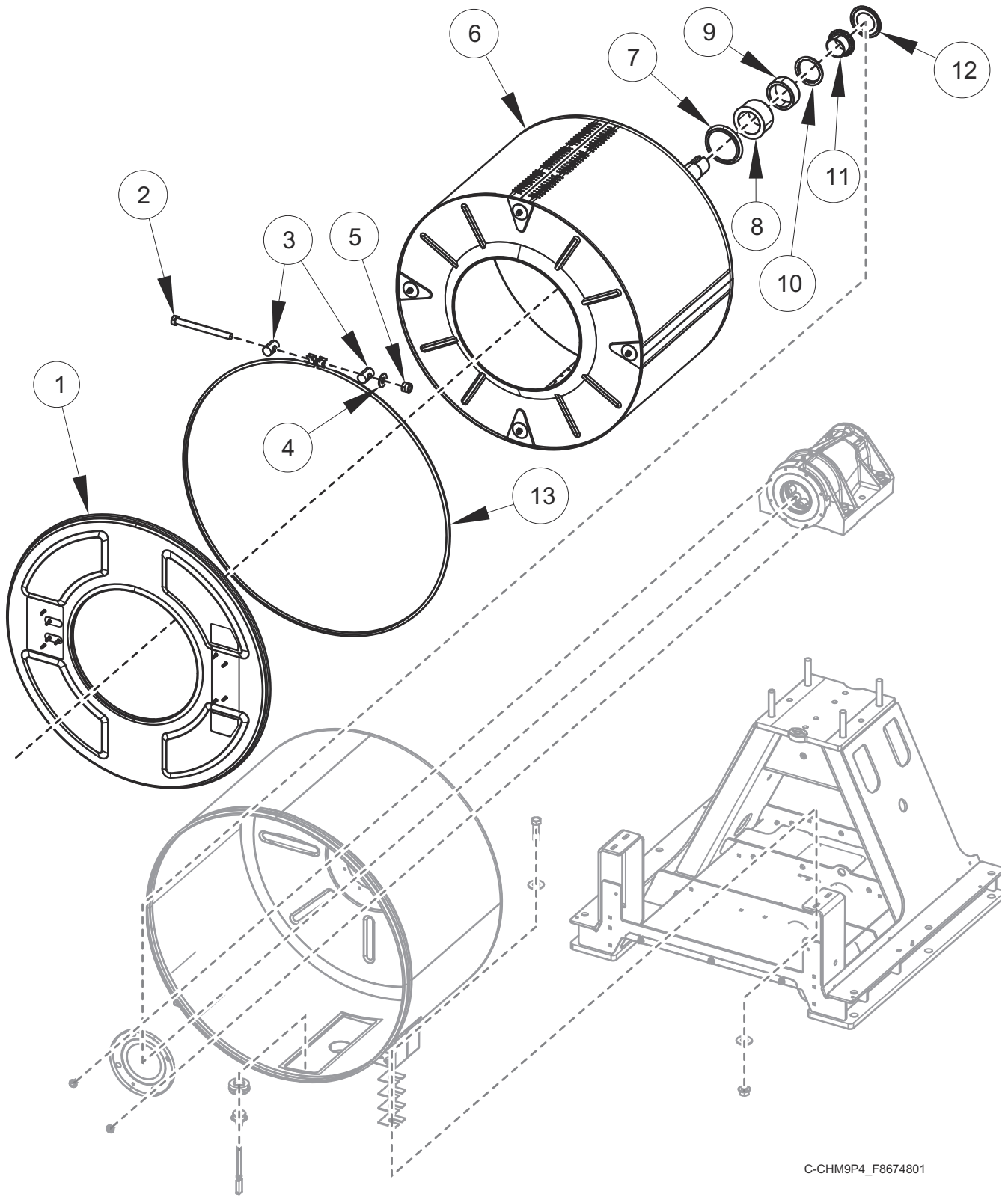


C-CHM2P18_F8674801

Door Lock

| REF | PART NO. | DESCRIPTION | COMMENTS |
|-----------|------------|------------------------------------|--|
| | F8632401 | Door Lock Assembly | Includes items 1-16 and F320200 Door Lock Splash |
| | F8520202 | Door Lock Harness | |
| | F8066804 | Reed Switch Assembly | |
| 1 | F431024 | Nut | |
| 2 | F8344401 | Door Lock Plate Shim | |
| 3 | 70030501 | Expansion Clip | |
| 4 | F8223202 | Door Lock Plate Assembly | |
| 5 | F8117601 | Screw | |
| 6 | F8245001 | Door Lock Cover | |
| 7 | F8344501 | Door Lock Catch | |
| 8 | F8193101 | Washer | |
| 9 | F8270701 | Bolt | |
| 10 | F430232 | Nut | |
| 12 | F8070301 | Torsion/Door Lock Spring | |
| 13 | F200203200 | Door Lock Microswitch | |
| 14 | F8223401 | Door Lock Switch Lever | |
| 15 | F431901 | Spacer | |
| 16 | F977P3 | Door Lock Solenoid Replacement Kit | |

Shell Front and Basket

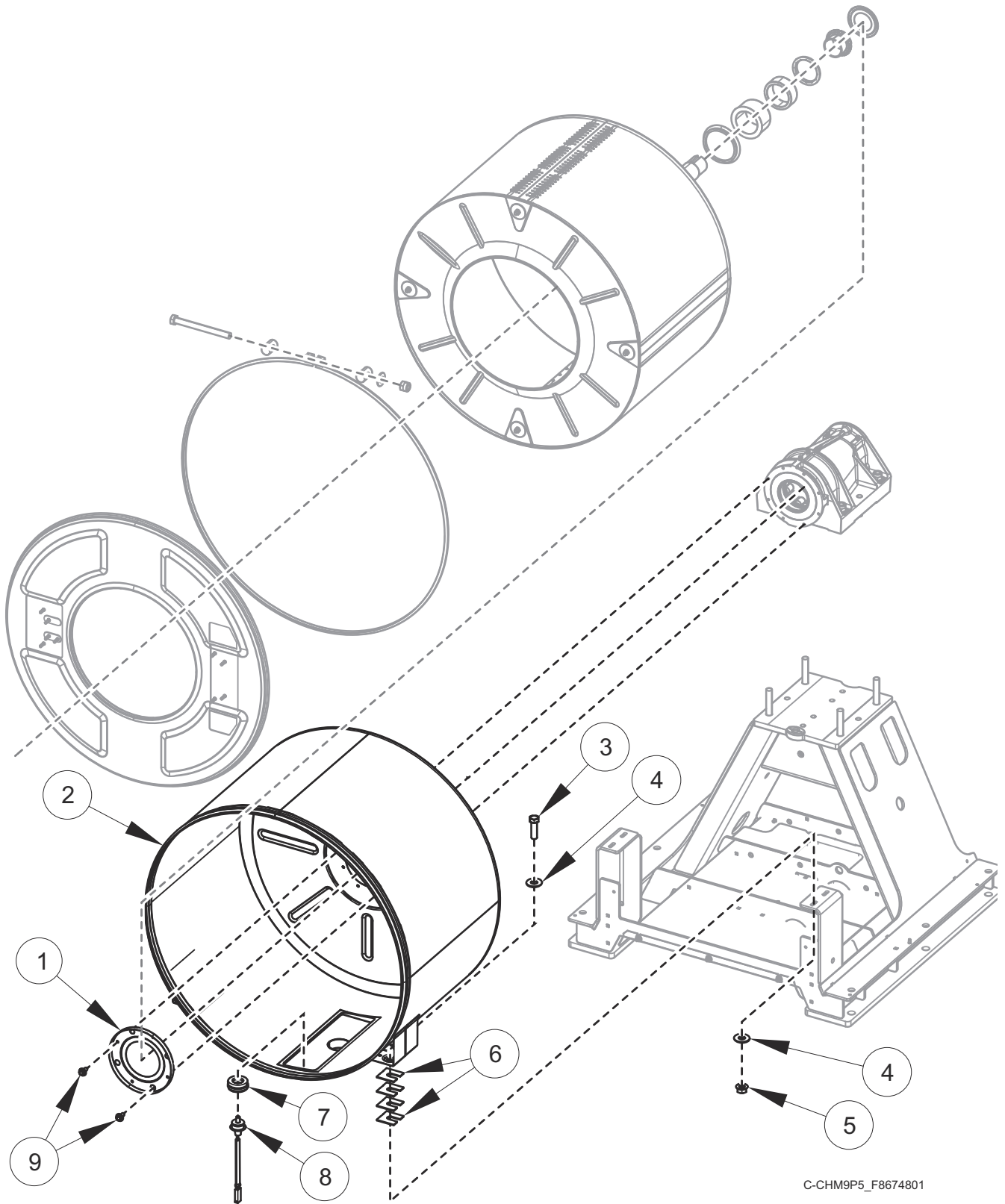


C-CHM9P4_F8674801

Shell Front and Basket

| REF | PART NO. | DESCRIPTION | COMMENTS |
|-----|----------|----------------------|-------------------------------|
| 1 | F8222701 | Shell Front | 80 pound models |
| | F8229801 | Shell Front Assembly | 100 pound models |
| 2 | F8673701 | Screw | |
| 3 | F8302701 | Pin | |
| 4 | M400080 | Washer | |
| 5 | F430218 | Nut | |
| 6 | F8516901 | Basket Assembly | 80 pound models |
| | F8516904 | Basket | 80 pound models; Rain; Viton |
| | F8516903 | Basket Assembly | 80 pound models; Viton |
| | F8516902 | Basket | 80 pound models; Rain |
| | F8517003 | Basket Assembly | 100 pound models; Viton |
| | F8517004 | Basket | 100 pound models; Rain; Viton |
| | F8517001 | Basket Assembly | 100 pound models |
| | F8517002 | Basket | 100 pound models; Rain |
| 7 | F8337101 | Excluder Seal | Standard |
| | F8527701 | Excluder Seal | Viton |
| 8 | F8343911 | Seal Sleeve | |
| 9 | F8280504 | Bearing | |
| 10 | F8464901 | Insertion Sleeve | |
| 11 | F8382501 | Sleeve Adapter | |
| 12 | F8379301 | Seal | |
| 13 | F8537808 | Shell Band Kit | |

Shell

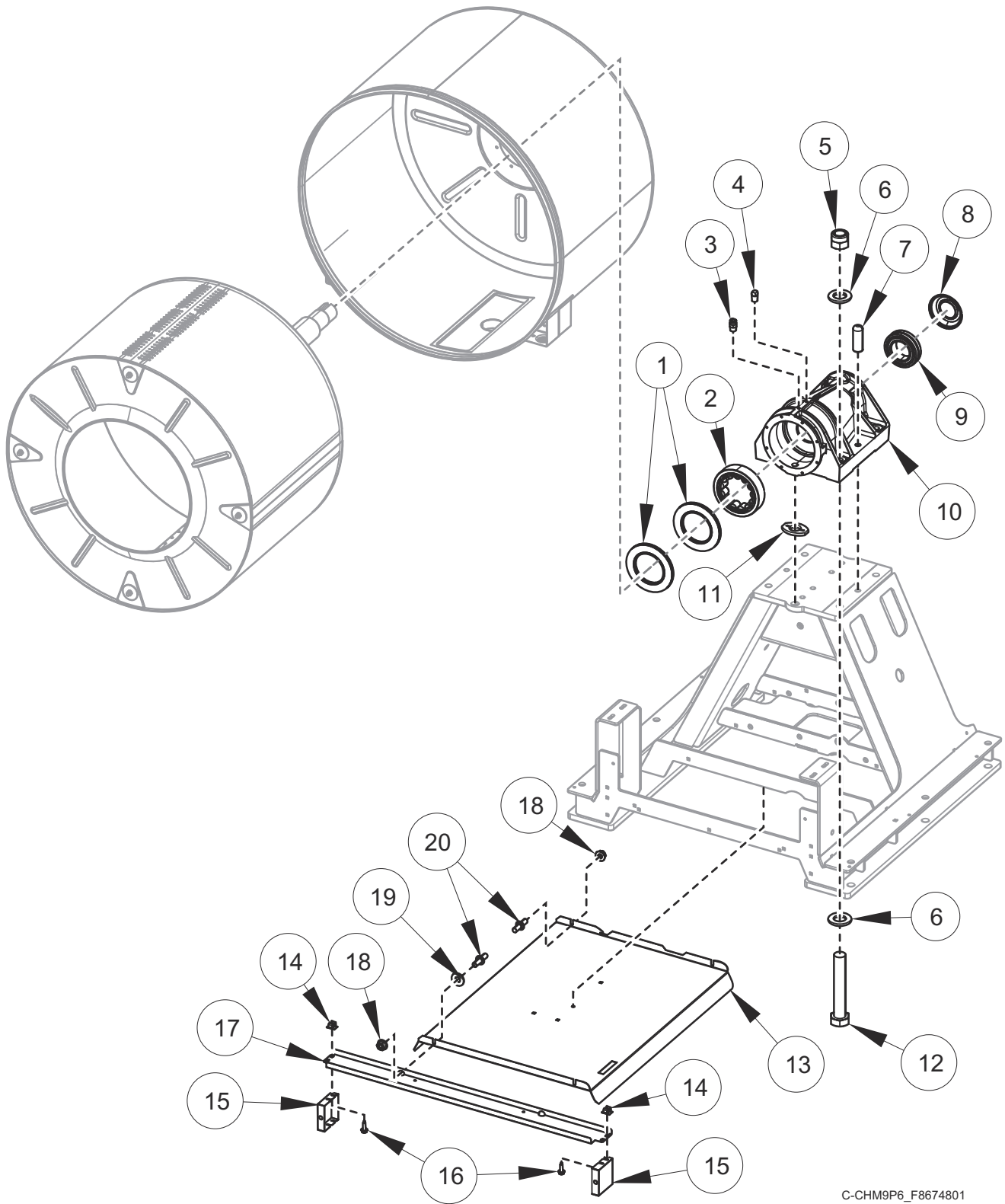


C-CHM9P5_F8674801

Shell

| REF | PART NO. | DESCRIPTION | COMMENTS |
|-----|------------|---------------------------|---|
| 1 | F8550101 | Seal Wear Plate | |
| 2 | F8543802 | Shell | 80 pound models; Electric and steam heat |
| | F8543902 | Shell | 100 pound models; Electric and steam heat |
| | F8543803 | Shell | 80 pound models |
| | F8543903 | Shell | 100 pound models |
| 3 | F430900 | Screw | |
| 4 | M400081 | Washer | |
| 5 | F430218 | Nut | |
| 6 | F8402701 | Washer | |
| 7 | 2251000400 | Temperature Probe Grommet | |
| 8 | F8538801 | Thermistor | |
| 9 | F8442702 | Screw | |

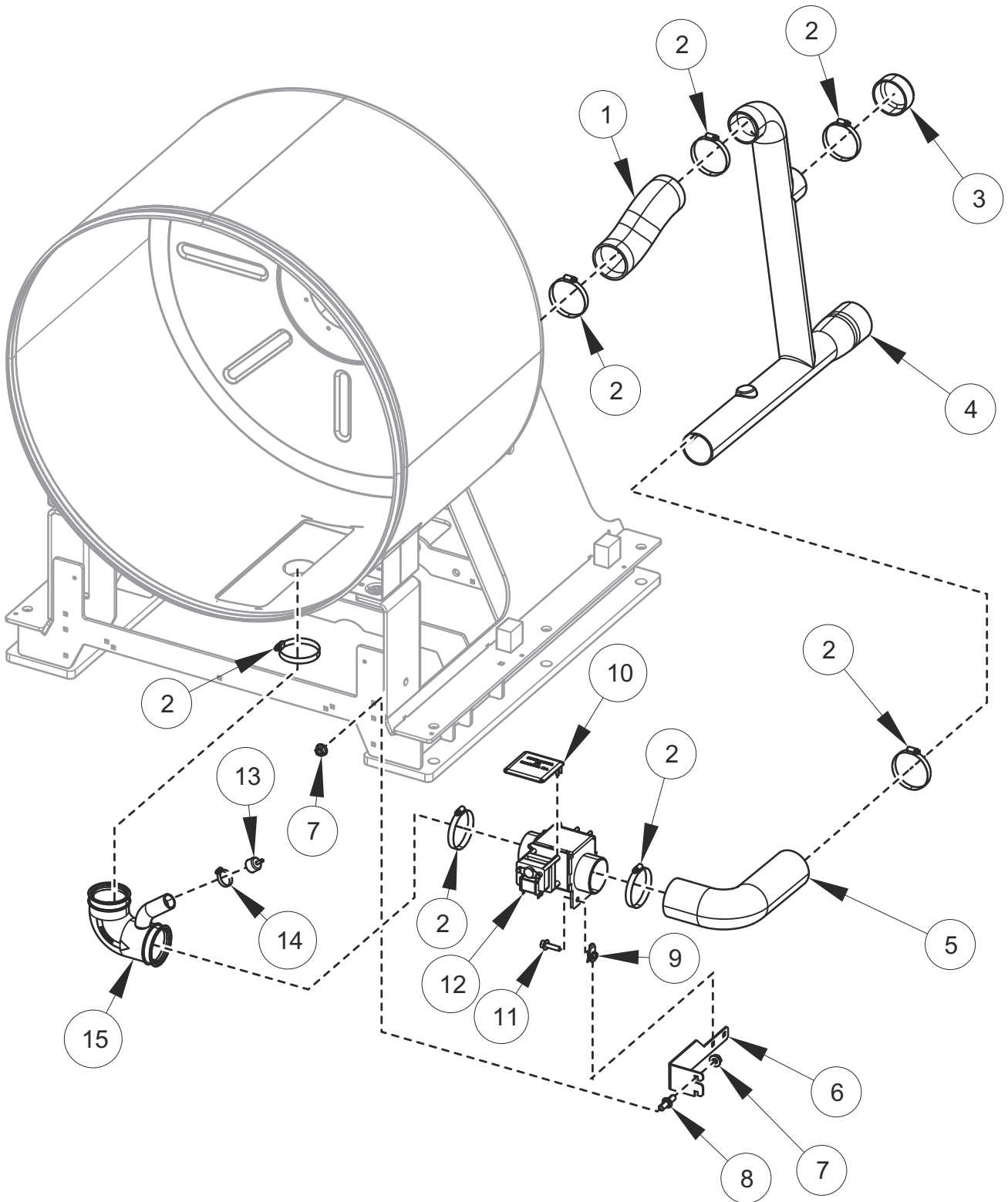
Bearing Housing and Frame Shield



Bearing Housing and Frame Shield

| REF | PART NO. | DESCRIPTION | COMMENTS |
|-----------|----------|--------------------------|--|
| | F8474601 | Bearing Housing Assembly | Includes items 1-4 and 8; Standard |
| | F8474602 | Bearing Housing Assembly | Includes items 1-4 and 8; Viton |
| | F8503801 | Bearings and Seals Kit | Standard NBR; Includes items 1, 2, 5-9, 12, F8337101 Excluder Seal, F8502305 Shell Band Gasket and F410102 Clear Sealant |
| | F8503701 | Bearings and Seals Kit | Viton; Includes items 1, 2, 5-9, 12, F8527701 Excluder Seal, F8502305 Shell Band Gasket and F410102 Clear Sealant |
| 1 | F8203807 | Radial Seal | Standard |
| | F8203808 | Radial Seal | Viton |
| 2 | F8280504 | Bearing | |
| 3 | J1408004 | Connector | |
| 4 | M403052 | Plug | |
| 5 | F430248 | Nut | |
| 6 | F8171201 | Washer | |
| 7 | F8406502 | Dowel Pin | |
| 8 | F8528501 | Radial Lip Seal | |
| 9 | F8375401 | Bearing | |
| 10 | F8465001 | Bearing Housing | |
| 11 | F8452701 | Seal Scupper Pad | |
| 12 | F8313701 | Screw | |
| 13 | F8509501 | Frame Shield | |
| 14 | 70030501 | Expansion Clip | |
| 15 | F8557401 | False Side Panel | 80 pound models |
| | F8557402 | False Side Panel | 100 pound models |
| 16 | F8206901 | Screw | |
| 17 | F8577901 | Frame Shield Extension | 80 pound models |
| | F8577902 | Frame Shield Extension | 100 pound models |
| 18 | 44087201 | Nut | |
| 19 | M400080 | Washer | |
| 20 | 70334702 | Stud | |

Drain Plumbing

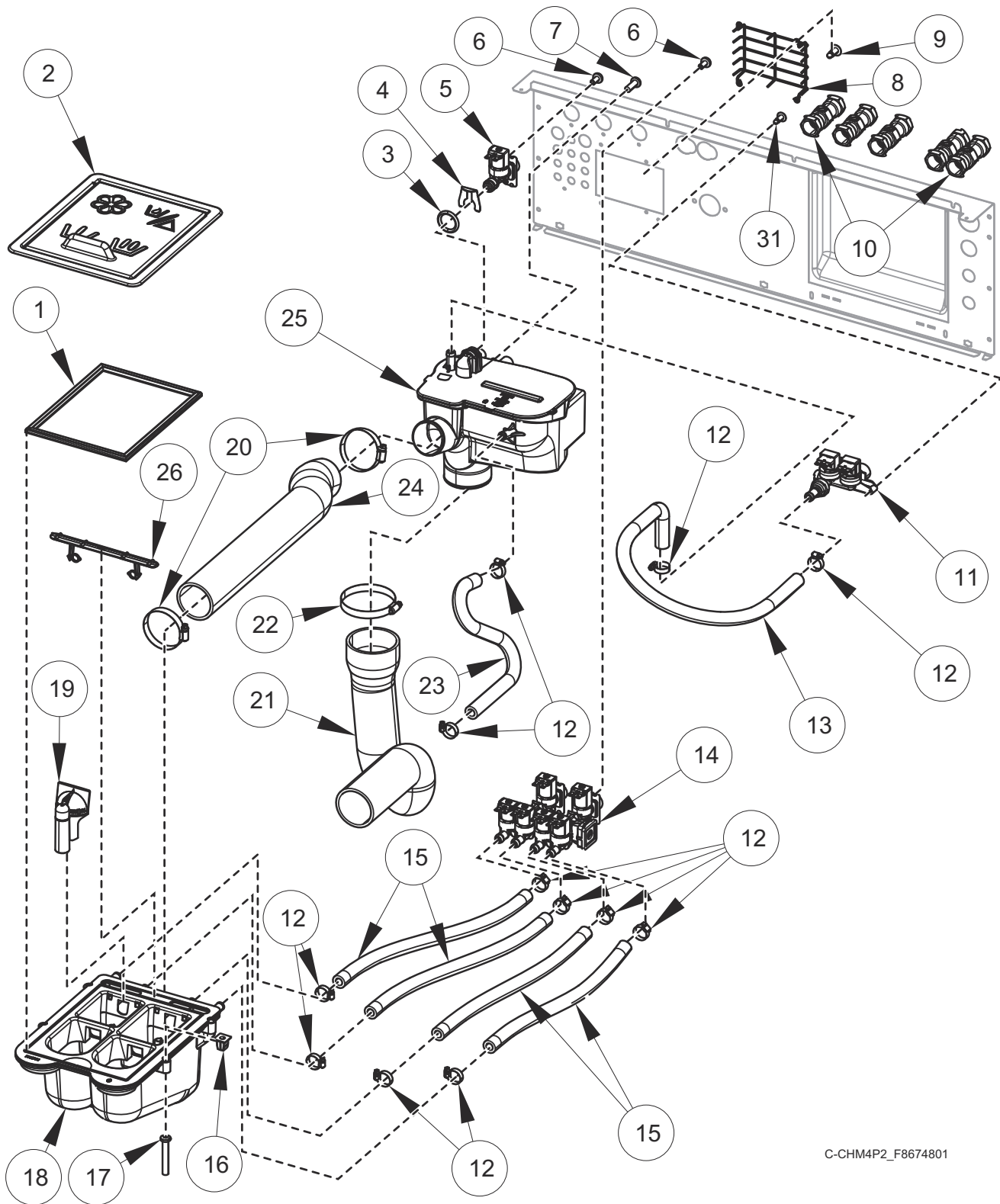


C-CHM9P1_F8674801

Drain Plumbing

| REF | PART NO. | DESCRIPTION | COMMENTS |
|-----|-------------|---------------------|---|
| | F8520002 | Drain Valve Harness | |
| 1 | F0150488-00 | Overflow Hose | |
| 2 | F200201 | Hose Clamp | |
| 3 | F0150502-00 | Plug | |
| 4 | F8386807 | Molded Drain | |
| 5 | C000412 | Water Reuse Hose | |
| 6 | F8543601 | Drain Valve Bracket | |
| 7 | 44087201 | Nut | |
| 8 | 70334702 | Stud | |
| 9 | 70030401 | Nut | |
| 10 | F200133600 | Drain Valve Cover | |
| 11 | F8117601 | Screw | |
| 12 | F8406308 | Drain Valve | 3 inch; 120 Volt; Right; NO |
| | F8577201 | Drain Valve Kit | 3 inch; 230 Volt; Right; NO; Includes item 10 |
| | F200166302 | Drain Valve Kit | 3 inch; 120 Volt; Left; NO; Includes item 10 |
| | F200166402 | Drain Valve Kit | 3 inch; 230 Volt; Left; NO; Includes item 10 |
| 13 | F8579301 | Pressure Cap | |
| 14 | 36802 | Hose Clamp | |
| 15 | F8542001 | Drain Hose | |
| | F8542201 | Drain Hose | Steam and electric heat |

Fill Plumbing

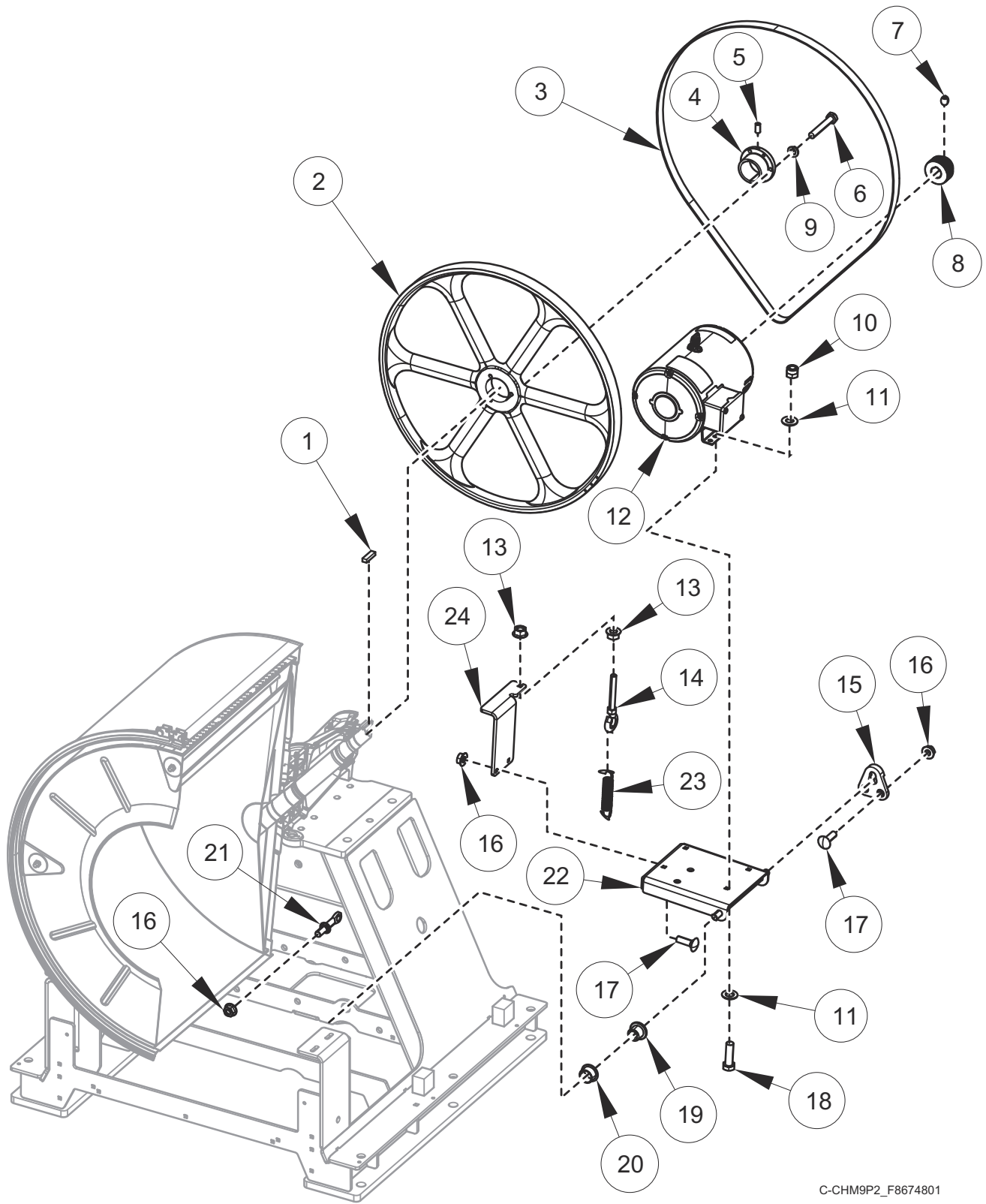


C-CHM4P2_F8674801

Fill Plumbing

| REF | PART NO. | DESCRIPTION | COMMENTS |
|-----|--------------|-------------------------|--|
| | F8047403 | Dispenser | Includes Items 18, 19 and 26 |
| | F8520102 | Fill Valve Harness | |
| | 223/00243/00 | Y-Connector | Metric |
| | F8544601 | Fill Hose Kit | WRAS; Includes item 11 and F8665602 Water Hose Kit |
| | F200164 | Water Hose | Y fitting; 2 required; Standard |
| | F200166 | Water Hose | Metric thread |
| | 44069101 | Hose Fitting | 3/4 inch; Standard |
| 1 | B12568601 | Dispenser Gasket | |
| 2 | F8563203 | Dispenser Cover | Gray; Icons and text |
| | F8563201 | Dispenser Cover | Gray; Icons |
| 3 | F8569101 | O-Ring | |
| 4 | F8566801 | Clip | |
| 5 | F8565201 | Valve | 3/4 inch; Standard |
| | F8565202 | Valve | 3/4 inch; Standard |
| 6 | F8230301 | Screw | |
| 7 | 800548 | Screw | |
| 8 | F8589601 | Vacuum Breaker Guard | |
| 9 | 70058501 | Pop Rivet | |
| 10 | F8301201 | Double Check Valve | WRAS |
| 11 | 70519801 | Mixing Valve | Standard |
| | 70519802 | Mixing Valve | Metric |
| 12 | 36801 | Hose Clamp | |
| 13 | F8598801 | Auxiliary Fill Hose | |
| 14 | F8529701 | Manifold Valve | Standard |
| | F8529702 | Manifold Valve | Metric |
| 15 | F8232012 | Hose | |
| 16 | F0431807-00 | Nut | |
| 17 | F8535601 | Screw | |
| 18 | F8437902 | Dispenser Weldment | |
| 19 | F8047901 | Siphon Cover | |
| 20 | F200213 | Hose Clamp | |
| 21 | F8529605 | P-Trap Hose | |
| 22 | F200201 | Hose Clamp | |
| 23 | F8616405 | Rear Vent Hose | |
| 24 | F8529405 | Supply Vacuum Hose | 80 pound models |
| | F8529406 | Supply Vacuum Hose | 100 pound models |
| 25 | F8517503 | Vacuum Breaker Assembly | With inlet and fill |
| | F8517502 | Vacuum Breaker Assembly | With inlet; WRAS |
| | F8517501 | Vacuum Breaker Assembly | With fill |
| | F8517504 | Vacuum Breaker Assembly | WRAS |
| 26 | F8047801 | Access Cover | |

Motor, Pulley and Belt

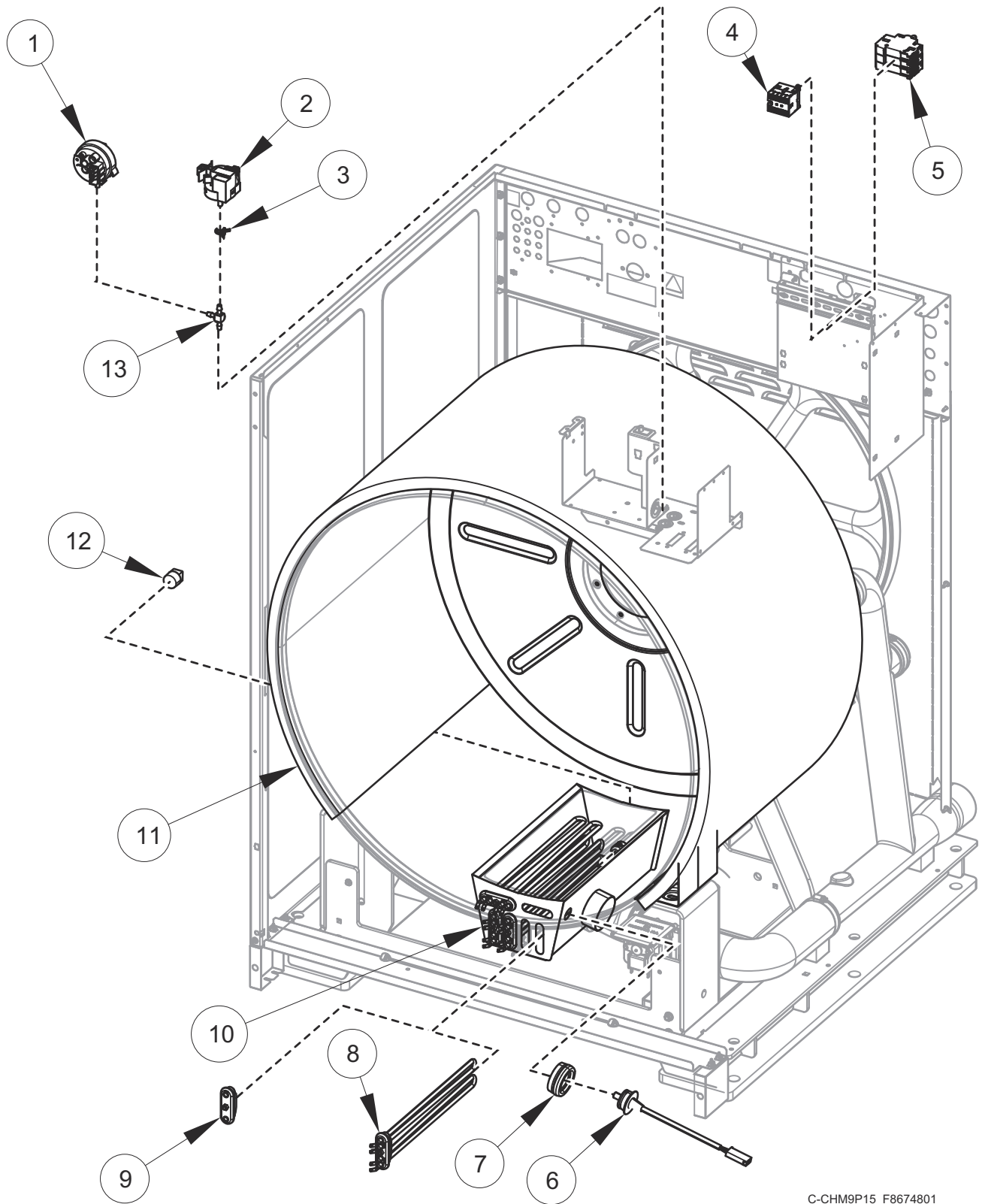


C-CHM9P2_F8674801

Motor, Pulley and Belt

| REF | PART NO. | DESCRIPTION | COMMENTS |
|-----|-----------|------------------------|---------------------------------|
| | F8519005 | Motor Harness | 5 hp |
| | F8519010 | Motor Harness | EMI filter |
| 1 | 44049002 | Key | |
| 2 | F8381801 | Sheave Pulley | |
| 3 | F8382819 | Belt | 80 pound models; Poly-V; 955J12 |
| | 70276205P | Belt | 100 pound models |
| 4 | F8649401 | Flanged Bushing | |
| 5 | 44048902 | Screw | |
| 6 | 44079203 | Screw | |
| 7 | F8536701 | Set Screw | |
| 8 | F8362601 | Motor Pulley | 80 pound models |
| | F8362602 | Motor Pulley | 100 pound models |
| 9 | M400013 | Washer | |
| 10 | F8387601 | Nut | |
| 11 | F8366601 | Washer | |
| 12 | F8510001 | Motor | 5 hp |
| 13 | 44087301 | Nut | |
| 14 | F8319503 | Eye Bolt | |
| 15 | F8542101 | Drain Hose | |
| 16 | 44087201 | Nut | |
| 17 | F8402801 | Bolt | |
| 18 | 800461 | Screw | |
| 19 | F8535202 | Flanged Isolator | |
| 20 | F8333302 | Flanged Bushing | |
| 21 | F8351902 | Eye Bolt | |
| 22 | F8441805 | Motor Bracket Weldment | |
| 23 | F8440701 | Extension Spring | |
| 24 | F8342201 | Motor Spring Bracket | |

Electric Heating

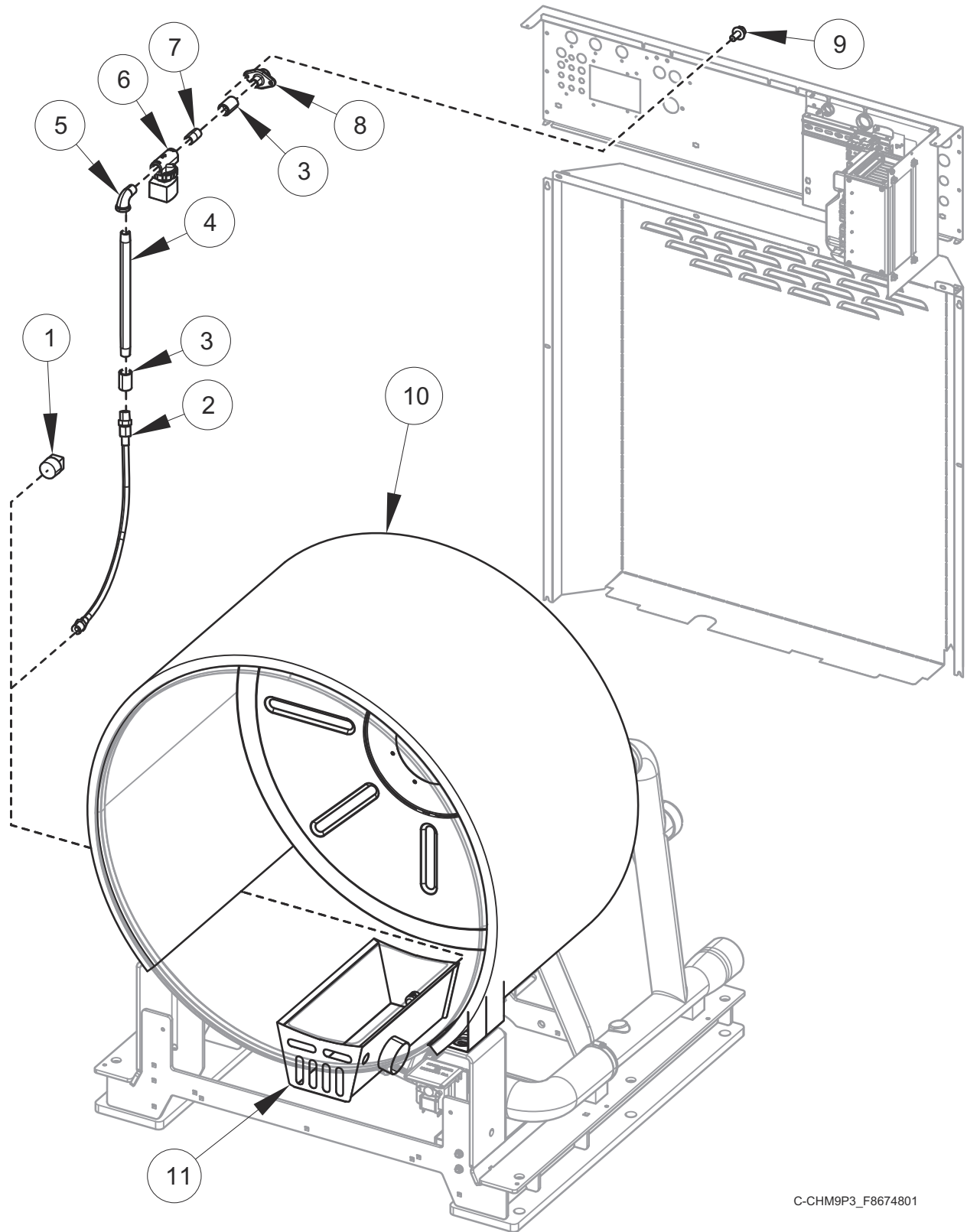


C-CHM9P15_F8674801

Electric Heating

| REF | PART NO. | DESCRIPTION | COMMENTS |
|-----------|------------|-------------------------------|----------------------|
| | F8584802 | Electric Heat Element Harness | 6 element and ground |
| | F8619101 | Power Harness | |
| | F8528003 | Harness | |
| | F8564004 | Harness | N, P and Q voltage |
| | F8598302 | Harness | Temperature |
| | F8568901 | Jumper | N and P voltage |
| | F8583501 | Jumper | N, P and Q voltage |
| 1 | F8609101 | Water Level Pressure Switch | |
| 2 | 39282 | Hose Clamp | |
| 3 | F8623401 | Pressure Sensor | |
| 4 | 70482601 | Contactora | |
| 5 | 70488101 | Circuit Breaker | |
| 6 | F8538801 | Thermistor | |
| 7 | 2251000400 | Temperature Probe Grommet | |
| 8 | F8568301 | Heating Element | 4200W; 230 Volt |
| 9 | F360202 | Heating Element Plug | |
| 10 | F8543802 | Shell | 80 pound models |
| | F8543902 | Shell | 100 pound models |
| 11 | F8209105 | Shell Insulation | |
| 12 | F420408 | Plug | |
| 13 | 203464 | Barbed Tee | |

Steam Heating

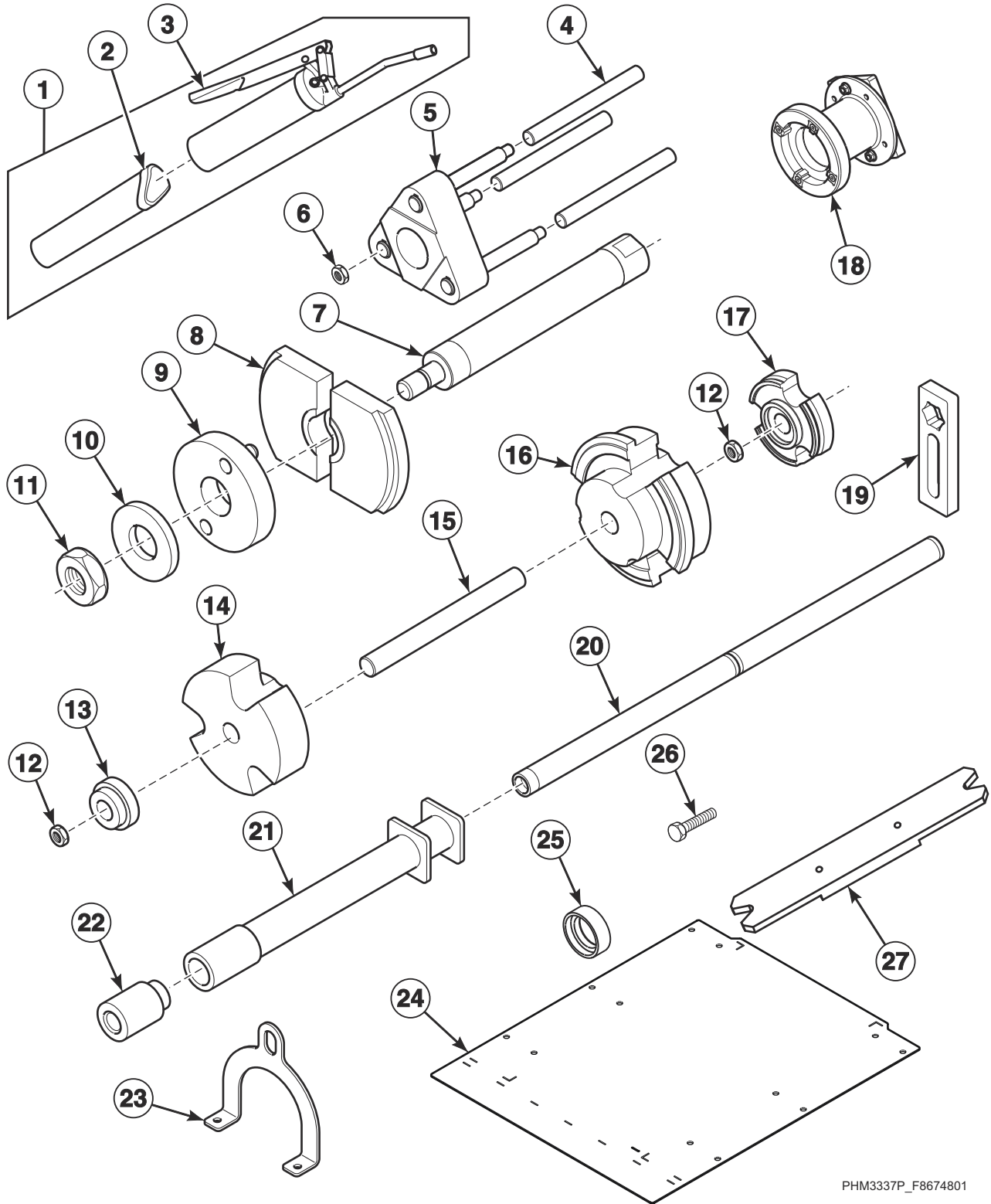


C-CHM9P3_F8674801

Steam Heating

| REF | PART NO. | DESCRIPTION | COMMENTS |
|-----------|-----------|------------------|--|
| | F8662601 | Steam Kit | Includes Items 1-9, 901403 Nipple, F270307 Steam Filter, F8520704 Harness, insulation and labels |
| | F270307 | Steam Filter | 1/2 inch |
| | F8520704 | Harness | Steam valve |
| | F8564004 | Harness | |
| | F8233702 | Insulation | Steam pipe; 6 inches |
| | F8233704 | Insulation | Steam pipe; 12 inches |
| | F8233708 | Pipe Insulation | Steam pipe; 20 inches |
| | F410300 | Pipe Insulation | Steam pipe; 36 inches |
| 1 | F420408 | Plug | |
| 2 | F200197 | Steam Hose | |
| 3 | F8116301 | Coupling | |
| 4 | 70214101 | Pipe Nipple | |
| 5 | H86070034 | Street Elbow | |
| 6 | F8322805 | Valve | |
| 7 | 70435601 | Pipe Nipple | |
| 8 | F8362701 | Coupling | |
| 9 | 70321501 | Screw | |
| 10 | F8209105 | Shell Insulation | |
| 11 | F8543802 | Shell | 80 pound models |
| | F8543902 | Shell | 100 pound models |

Special Tools and Kits



PHM3337P_F8674801

Special Tools and Kits

| REF | PART NO. | DESCRIPTION | COMMENTS |
|-----------|------------|--|---|
| | 204454 | Ferrite | EMI; HCK models |
| | 1112P | Concrete Hardware Kit | |
| | 203346 | USB IR Interface Kit | |
| | F8599401 | Bearing Seal Insertion and Removal Kit | Purchase; Includes items 4-21, 23, 25, 29, 70350503 Wing Nut and F8313702 Screw |
| | F8599401-1 | Bearing Seal Insertion and Removal Kit | Rental; Includes items 4-21, 23, 25, 27, 70350503 Wing Nut and F8313702 Screw |
| 1 | F798700 | Grease Gun Kit | Includes items 2 and 3 |
| 2 | F210206P | Bearing Grease | |
| 3 | F210207P | Grease Gun | |
| 4 | F8599201 | Rod | |
| 5 | F8560501 | Shaft Support Assembly | |
| 6 | F8459101 | Nut | |
| 7 | F8450401 | Bearing Removal Shaft Assembly | |
| 8 | F8450601 | Bearing Removal Plate | |
| 9 | F8455601 | Bearing Removal Washer Assembly | |
| 10 | F8456101 | Washer | |
| 11 | F8455801 | Nut | |
| 12 | F8457701 | Nut | |
| 13 | F8455701 | Bearing Removal Plug | |
| 14 | F8515101 | Bearing Seal Fixture | Front |
| 15 | F8452101 | Threaded Rod | |
| 16 | F8515301 | Seal Press Fixture | |
| 17 | F8515201 | Bearing Seal Fixture | Rear |
| 18 | F8530201 | Bearing Sleeve Assembly | |
| 19 | F8562801 | One Sided Disassembly Fixture | |
| 20 | F8534101 | Guide Rod Assembly | |
| 21 | F8490701 | Hammer | |
| 22 | F8514401 | Hammer Tool Adapter | |
| 23 | F8451501 | Bearing Housing Lifting Fixture | |
| 24 | F8413101 | Frame Template | |
| 25 | F8537502 | Excluder Seal Fixture | |
| 26 | M400063 | Screw | |
| 27 | F8634802 | Clamp | |

Parts Index

A

| | |
|-------------------------------|--------|
| Access Cover | |
| F8047801 | 51 |
| Access Panel | |
| F8552702 | 31, 33 |
| Access Panel Retaining Spacer | |
| F8609701 | 31, 33 |
| Air Coupling | |
| F422114 | 31, 33 |
| Auxiliary Fill Hose | |
| F8598801 | 51 |

B

| | |
|--|-----------|
| Barbed Tee | |
| 203464 | 9, 11, 55 |
| Basket | |
| F8516901 | 43 |
| F8516902 | 43 |
| F8516904 | 43 |
| F8517002 | 43 |
| F8517004 | 43 |
| Basket Assembly | |
| F8516903 | 43 |
| F8517001 | 43 |
| F8517003 | 43 |
| Bearing | |
| F8280504 | 43, 47 |
| F8375401 | 47 |
| Bearing Grease | |
| F210206P | 59 |
| Bearing Housing | |
| F8465001 | 47 |
| Bearing Housing Assembly | |
| F8474601 | 47 |
| F8474602 | 47 |
| Bearing Housing Lifting Fixture | |
| F8451501 | 59 |
| Bearing Removal Plate | |
| F8450601 | 59 |
| Bearing Removal Plug | |
| F8455701 | 59 |
| Bearing Removal Shaft Assembly | |
| F8450401 | 59 |
| Bearing Removal Washer Assembly | |
| F8455601 | 59 |
| Bearing Seal Fixture | |
| F8515101 | 59 |
| F8515201 | 59 |
| Bearing Seal Insertion and Removal Kit | |
| F8599401 | 59 |
| F8599401-1 | 59 |
| Bearing Sleeve Assembly | |
| F8530201 | 59 |
| Bearings and Seals Kit | |
| F8503701 | 47 |
| F8503801 | 47 |

| | |
|-----------------|----|
| Belt | |
| F8382819 | 53 |
| 70276205P | 53 |
| Bolt | |
| F430974 | 39 |
| F8270701 | 41 |
| F8402801 | 53 |
| F8508101 | 39 |

C

| | |
|----------------------------|------------|
| Cabinet Brace | |
| F8556901 | 35 |
| F8556902 | 35 |
| Card Plate Assembly | |
| F8201501 | 11 |
| Central Pay Harness | |
| 44342801 | 11 |
| Central Pay Kit | |
| F8673202 | 11 |
| F8673204 | 11 |
| Chemical Injection Control | |
| 804528 | 27 |
| Circuit Breaker | |
| 70488101 | 23, 25, 55 |
| Clamp | |
| F8634802 | 59 |
| Clip | |
| F8566801 | 51 |
| Coin Drawer Assembly | |
| F8182001 | 21 |
| Coin Drop | |
| 38963P | 15 |
| 39748 | 15 |
| 70441601P | 15 |
| 70441603 | 17 |
| Coin Drop Assembly | |
| 201141 | 15 |
| 210195 | 17 |
| 210196 | 17 |
| 38462P | 15 |
| 38463 | 15 |
| 38464P | 15 |
| 38467 | 17 |
| 38475 | 15 |
| 38519 | 17 |
| 70281102 | 17 |
| 70283102 | 17 |
| 70441602 | 17 |
| 70447301 | 17 |
| 70471601 | 15 |
| 70482401 | 17 |
| 70506901 | 15 |
| Coin Drop Kit | |
| CK077 | 15 |
| CK122 | 19 |
| Coin Identification Paper | |
| 38725 | 15, 17, 19 |
| Coin Meter | |
| F0160737-00 | 17 |

N/A items do not appear in index.

| | | | |
|---|--------|--|----|
| Coin Vault Assembly F8529101 | 9 | Door Glass Gasket F8499904 | 39 |
| Coin Vault Bypass Harness F8519702 | 11 | Door Glass Retainer F8504902 | 39 |
| Coin Vault Harness F8519701 | 9 | F8504903 | 39 |
| Concrete Hardware Kit 1112P | 59 | Door Handle F8544701 | 39 |
| Connector F8555406 | 11 | Door Handle Spacer Kit F8567501 | 39 |
| J1408004 | 47 | Door Hinge F190216P | 39 |
| 70493102 | 27 | Door Hinge Shim Kit F200131000P | 39 |
| Contacto F330188P | 55 | Door Latch Arm Assembly F8221403 | 39 |
| 70482601 | 23, 25 | Door Lock Assembly F8632401 | 41 |
| 70482701 | 23, 25 | Door Lock Catch F8344501 | 41 |
| Contacto Tray F8530901 | 23, 25 | Door Lock Cover F8245001 | 41 |
| Control Assembly F8493901 | 9, 11 | Door Lock Harness F8520202 | 41 |
| Control Panel Assembly F8552601 | 31 | Door Lock Microswitch F200203200 | 41 |
| F8552604 | 33 | Door Lock Plate Assembly F8223202 | 41 |
| Control Tray F8530701 | 13 | Door Lock Plate Shim F83344401 | 41 |
| Coupling F8116301 | 57 | Door Lock Solenoid Replacement Kit F977P3 | 41 |
| F8362701 | 57 | Door Lock Switch Lever F8223401 | 41 |
| <hr/> | | Door Mount F150271 | 39 |
| D | | Double Check Valve F8301201 | 51 |
| Danger Label F8614501 | 7 | Dowel Pin F8406502 | 47 |
| DIN Rail B12315401 | 23, 25 | Drain Hose F8542001 | 49 |
| M412689 | 23, 25 | F8542101 | 53 |
| Dispenser F8047403 | 51 | F8542201 | 49 |
| Dispenser Bracket F8525701 | 35 | Drain Valve F8406308 | 49 |
| Dispenser Cover F8563201 | 51 | Drain Valve Bracket F8543601 | 49 |
| F8563203 | 51 | Drain Valve Cover F200133600 | 49 |
| Dispenser Gasket B12568601 | 51 | Drain Valve Harness F8520002 | 49 |
| Dispenser Weldment F8437902 | 51 | Drain Valve Kit F200166302 | 49 |
| Door F8505001 | 39 | F200166402 | 49 |
| F8508801 | 39 | F8577201 | 49 |
| Door Assembly F8505102 | 39 | Drive Assembly F8496601 | 29 |
| F8505105 | 39 | F8496901 | 29 |
| F8505111 | 39 | Drive Communication Harness F8519201 | 29 |
| F8505112 | 39 | F8519202 | 29 |
| Door Bezel F170419-1 | 33 | F8519203 | 29 |
| F170419-3 | 31 | F8519204 | 29 |
| Door Gasket F8440801P | 39 | | |
| Door Glass F8342001 | 39 | | |
| F8342002 | 39 | | |

N/A items do not appear in index.

| | |
|---------------------------|--------|
| Drive Mounting Bracket | |
| F8322401 | 29 |
| Drive Panel Base Assembly | |
| F8567001 | 23 |
| F8567003 | 25 |
| F8567004 | 23, 25 |
| Drive Power Harness | |
| F8518603 | 29 |
| Drive Terminal Tray | |
| F8530803 | 23, 25 |

E

| | |
|-------------------------------|--|
| Electric Heat Element Harness | |
| F8584802 | 55 |
| Electronic Coin Drop Assembly | |
| 70294107 | 19 |
| 70513302 | 19 |
| 70513303 | 19 |
| 70513304 | 19 |
| 70513306 | 19 |
| 70513309 | 19 |
| 70513310 | 19 |
| 70513311 | 19 |
| 70513312 | 19 |
| 70513313 | 19 |
| 70513314 | 19 |
| 70513315 | 19 |
| 70513316 | 19 |
| Electronic Coin Drop Kit | |
| CK099 | 19 |
| CK100 | 19 |
| CK101 | 19 |
| CK108 | 19 |
| CK109 | 19 |
| CK110 | 19 |
| CK113 | 19 |
| CK115 | 19 |
| CK116 | 19 |
| CK117 | 19 |
| CK118 | 19 |
| CK119 | 19 |
| CK120 | 19 |
| CK121 | 19 |
| CK500 | 19 |
| Emergency Stop Bypass Harness | |
| F8519403 | 11 |
| F8549403 | 9 |
| EMI Filter | |
| F8591801 | 23, 25 |
| F8637501 | 23, 25 |
| End Stop | |
| F8449801 | 23, 25 |
| Excluder Seal | |
| F8337101 | 43 |
| F8527701 | 43 |
| Excluder Seal Fixture | |
| F8537502 | 59 |
| Expansion Clip | |
| 70030501 | 13, 23, 25, 29, 31, 33, 35, 37, 41, 47 |
| Extension Spring | |
| F8440701 | 53 |
| External Supply Kit | |
| F8662504 | 27 |
| F8662508 | 27 |

| | |
|----------------|----|
| Eye Bolt | |
| F8319503 | 53 |
| F8351902 | 53 |

F

| | |
|------------------------|-------|
| False Side Panel | |
| F8557401 | 47 |
| F8557402 | 47 |
| Ferrite | |
| 204454 | 59 |
| Fill Cover | |
| F8586301 | 35 |
| Fill Hose Kit | |
| F8544601 | 51 |
| Fill Valve Harness | |
| F8520102 | 51 |
| Filter Kit | |
| F8662807 | 25 |
| F8662808 | 23 |
| F8662813 | 23 |
| F8662814 | 25 |
| Flanged Bushing | |
| F8649401 | 53 |
| Flanged Isolator | |
| F8333302 | 53 |
| F8535202 | 53 |
| Frame Shield | |
| F8509501 | 47 |
| Frame Shield Extension | |
| F8577901 | 47 |
| F8577902 | 47 |
| Frame Template | |
| F8413101 | 59 |
| Front Panel | |
| F8552801 | 31 |
| F8552802 | 33 |
| Front Tray Assembly | |
| F8531001 | 9, 11 |
| F8567303 | 9 |
| F8567306 | 9 |
| F8567309 | 11 |
| F8567312 | 11 |

G

| | |
|----------------------|--------|
| Gasket | |
| F8542601 | 35 |
| Grease Fitting | |
| F190701 | 31, 33 |
| Grease Gun | |
| F210207P | 59 |
| Grease Gun Kit | |
| F798700 | 59 |
| Ground Lug Connector | |
| M411283 | 23, 25 |
| Guide Rod Assembly | |
| F8534101 | 59 |

N/A items do not appear in index.

H

| | |
|---------------------------|-----------|
| Hammer | |
| F8490701 | 59 |
| Hammer Tool Adapter | |
| F8514401 | 59 |
| Harness | |
| F8518401 | 23 |
| F8518403 | 23, 25 |
| F8518404 | 23 |
| F8518501 | 25 |
| F8518503 | 25 |
| F8518504 | 25 |
| F8518606 | 23, 25 |
| F8519301 | 9, 11 |
| F8519502 | 9, 11 |
| F8519601 | 9, 11 |
| F8520602 | 27 |
| F8520704 | 57 |
| F8528001 | 23, 25 |
| F8528003 | 23, 25 |
| F8528005 | 23, 25 |
| F8528204 | 27 |
| F8564001 | 55 |
| F8564004 | 55, 57 |
| F8598302 | 55 |
| F8619102 | 23, 25 |
| Heating Element | |
| F8568301 | 55 |
| Heating Element Plug | |
| F360202 | 55 |
| Hole Plug | |
| F8223801 | 35 |
| Hose | |
| F8232012 | 51 |
| F8245713 | 31, 33 |
| Hose Clamp | |
| F200201 | 49, 51 |
| F200213 | 51 |
| 36801 | 51 |
| 36802 | 49 |
| 39282 | 9, 11, 55 |
| Hose Fitting | |
| 44069101 | 51 |
| Hot Surface Warning Label | |
| F8609001 | 7 |
| F8614301 | 7 |

I

| | |
|-----------------------------------|--------|
| Input and Output Control Assembly | |
| F8494101P | 13 |
| Insertion Sleeve | |
| F8464901 | 43 |
| Insulation | |
| F8233702 | 57 |
| F8233704 | 57 |
| Insulator | |
| M413862 | 23, 25 |

J

| | |
|----------------|------------|
| Jumper | |
| F8568901 | 55 |
| F8583501 | 23, 25, 55 |

K

| | |
|----------------|----|
| Key | |
| F160420 | 21 |
| 44049002 | 53 |
| 70155603 | 35 |

L

| | |
|----------------|--------|
| Label | |
| D516100 | 23, 25 |
| F8601301 | 7 |
| F8602401 | 7 |
| F8605501 | 7 |
| F8609401 | 7 |
| F8611301 | 7 |
| F8611401 | 7 |
| F8613501 | 31, 33 |
| F8614801 | 7 |
| F8620801 | 7 |
| 203853 | 7 |
| 44286803 | 23, 25 |

M

| | |
|-----------------------------|-------|
| Machine ID Control Assembly | |
| 203361P | 9, 11 |
| Magnet | |
| F8390801 | 39 |
| Manifold Valve | |
| F8529701 | 51 |
| F8529702 | 51 |
| Mixing Valve | |
| 70519801 | 51 |
| 70519802 | 51 |
| Molded Drain | |
| F8386807 | 49 |
| Motor | |
| F8510001 | 53 |
| Motor Bracket Weldment | |
| F8441805 | 53 |
| Motor Harness | |
| F8519005 | 53 |
| F8519010 | 53 |
| Motor Pulley | |
| F8362601 | 53 |
| F8362602 | 53 |
| Motor Spring Bracket | |
| F8342201 | 53 |
| Mounting Plate | |
| 70208801 | 11 |

N

| | |
|------------------|---------------|
| Nut | |
| F0431807-00..... | 51 |
| F430215..... | 19, 39 |
| F430218..... | 43, 45 |
| F430232..... | 39, 41 |
| F430248..... | 47 |
| F431024..... | 39, 41 |
| F431041..... | 39 |
| F8387601..... | 53 |
| F8455801..... | 59 |
| F8457701..... | 59 |
| F8459101..... | 59 |
| F8549401..... | 39 |
| 44087201..... | 47, 49, 53 |
| 44087301..... | 53 |
| 44088001..... | 23, 25 |
| 44088801..... | 35 |
| 685846..... | 9, 11, 15, 17 |
| 70030401..... | 37, 49 |

O

| | |
|-------------------------------|--------|
| One Sided Disassembly Fixture | |
| F8562801..... | 59 |
| Opto Coupler | |
| 200674P..... | 15, 17 |
| O-Ring | |
| F8569101..... | 51 |
| Overflow Hose | |
| F0150488-00..... | 49 |
| Overlay | |
| F8594301..... | 31 |
| F8594302..... | 31 |
| F8594303..... | 33 |
| F8594401..... | 31 |
| F8594402..... | 31 |
| F8594403..... | 33 |
| F8594901..... | 31 |
| F8594902..... | 31 |
| F8594903..... | 33 |
| F8595001..... | 31 |
| F8595002..... | 31 |
| F8595003..... | 33 |
| F8641601..... | 31 |
| F8641602..... | 31 |
| F8641603..... | 33 |
| F8641604..... | 33 |
| F8641605..... | 31 |
| 70518101..... | 33 |
| 70518102..... | 33 |
| 70556501..... | 33 |
| 70556502..... | 33 |
| 70556601..... | 31 |
| 70556801..... | 31 |

P

| | |
|----------------|------------|
| Panel Locator | |
| 56079..... | 31, 33, 37 |
| Panel Lock | |
| 44089303P..... | 35 |

| | |
|--------------------------------|-----------------------|
| Pin | |
| F8302701..... | 43 |
| F8502101..... | 37 |
| Pinch Warning Label | |
| F8615701..... | 7 |
| 70538401..... | 7 |
| Pipe Insulation | |
| F410300..... | 57 |
| F8233708..... | 57 |
| Pipe Nipple | |
| 70214101..... | 57 |
| 70435601..... | 57 |
| Plug | |
| F0150502-00..... | 49 |
| F420408..... | 55, 57 |
| F8223901..... | 35 |
| M400985..... | 35 |
| M403052..... | 47 |
| Pop Rivet | |
| F431215..... | 31, 33, 35 |
| F431223..... | 39 |
| M400003..... | 13, 23, 25 |
| 685847..... | 35 |
| 70058501..... | 9, 15, 17, 23, 25, 51 |
| 70412601..... | 31, 33 |
| Power Distribution Block | |
| M413865..... | 23, 25 |
| Power Distribution Block Cover | |
| 44014901P..... | 23, 25 |
| Power Harness | |
| F8619101..... | 23, 25, 55 |
| Pressure Cap | |
| F8579301..... | 49 |
| Pressure Sensor | |
| F8623401..... | 9, 11, 55 |
| P-Trap Hose | |
| F8529605..... | 51 |
| Pulse Expander Assembly | |
| F8034701P..... | 19 |
| Pushbutton Switch | |
| 70413301..... | 35 |

R

| | |
|----------------------|------------|
| Radial Lip Seal | |
| F8528501..... | 47 |
| Radial Seal | |
| F8203807..... | 47 |
| F8203808..... | 47 |
| Rear Panel | |
| F8555301..... | 35 |
| Rear Vent Hose | |
| F8616405..... | 51 |
| Reed Switch Assembly | |
| F8066804..... | 41 |
| Rivet | |
| M412763..... | 31, 33, 37 |
| 70412601..... | 35 |
| Rod | |
| F602813-2..... | 39 |
| F8599201..... | 59 |

N/A items do not appear in index.

S

Screw

| | |
|----------------|--------------------|
| D503688 | 29 |
| F430532 | 39 |
| F430536 | 39 |
| F430900 | 45 |
| F8117601 | 31, 33, 37, 41 |
| F8206901 | 13, 23, 25, 35, 47 |
| F8230301 | 51 |
| F8313701 | 47 |
| F8442702 | 45 |
| F8535501 | 39 |
| F8535601 | 51 |
| F8589501 | 31, 33 |
| F8673701 | 43 |
| M400063 | 59 |
| 202175 | 37, 49 |
| 33562 | 35 |
| 39733 | 23, 25 |
| 403497 | 27 |
| 430497 | 13 |
| 44048902 | 53 |
| 44079203 | 53 |
| 51783 | 23, 25 |
| 685837 | 23, 25 |
| 70321501 | 57 |
| 800461 | 53 |
| 800548 | 51 |

Seal

| | |
|----------------|----|
| F8379301 | 43 |
|----------------|----|

Seal Press Fixture

| | |
|----------------|----|
| F8515301 | 59 |
|----------------|----|

Seal Scupper Pad

| | |
|----------------|----|
| F8452701 | 47 |
|----------------|----|

Seal Sleeve

| | |
|----------------|----|
| F8343911 | 43 |
|----------------|----|

Seal Wear Plate

| | |
|----------------|----|
| F8550101 | 45 |
|----------------|----|

Set Screw

| | |
|----------------|----|
| F8536701 | 53 |
|----------------|----|

Shaft Support Assembly

| | |
|----------------|----|
| F8560501 | 59 |
|----------------|----|

Sheave Pulley

| | |
|----------------|----|
| F8381801 | 53 |
|----------------|----|

Shell

| | |
|----------------|------------|
| F8543802 | 45, 55, 57 |
| F8543803 | 45 |
| F8543902 | 45, 55, 57 |
| F8543903 | 45 |

Shell Band Kit

| | |
|----------------|----|
| F8537808 | 43 |
|----------------|----|

Shell Front

| | |
|----------------|----|
| F8222701 | 43 |
|----------------|----|

Shell Front Assembly

| | |
|----------------|----|
| F8229801 | 43 |
|----------------|----|

Shell Insulation

| | |
|----------------|--------|
| F8209105 | 55, 57 |
|----------------|--------|

Shock Warning Label

| | |
|----------------|---|
| F8614201 | 7 |
|----------------|---|

Side Panel

| | |
|----------------|----|
| F8553001 | 37 |
| F8553002 | 37 |
| F8553101 | 37 |
| F8553102 | 37 |

Siphon Cover

| | |
|----------------|----|
| F8047901 | 51 |
|----------------|----|

Sleeve Adapter

| | |
|----------------|----|
| F8382501 | 43 |
|----------------|----|

Snap Bushing

| | |
|----------------|-------------------|
| F140938 | 9, 11, 23, 25, 27 |
| M402542 | 9, 11 |
| M411826 | 9, 11 |
| 70346501 | 23, 25 |

Spacer

| | |
|---------------|----|
| F431901 | 41 |
|---------------|----|

Spring Pin

| | |
|---------------|----|
| F431222 | 39 |
|---------------|----|

Steam Filter

| | |
|---------------|----|
| F270307 | 57 |
|---------------|----|

Steam Hose

| | |
|---------------|----|
| F200197 | 57 |
|---------------|----|

Steam Kit

| | |
|----------------|----|
| F8662601 | 57 |
|----------------|----|

Street Elbow

| | |
|-----------------|----|
| H86070034 | 57 |
|-----------------|----|

Stud

| | |
|----------------|--------|
| 70334702 | 47, 49 |
|----------------|--------|

Supply Vacuum Hose

| | |
|----------------|----|
| F8529405 | 51 |
| F8529406 | 51 |

T

Temperature Probe Grommet

| | |
|------------------|--------|
| 2251000400 | 45, 55 |
|------------------|--------|

Terminal

| | |
|---------------|------------|
| 00622SG | 13, 23, 25 |
|---------------|------------|

Terminal Block

| | |
|--------------|--------|
| 430642 | 23, 25 |
|--------------|--------|

Terminal Block Shield

| | |
|----------------|--------|
| 70333001 | 23, 25 |
|----------------|--------|

Terminal Tray Cover

| | |
|----------------|----|
| F8518301 | 35 |
|----------------|----|

Thermistor

| | |
|----------------|--------|
| F8538801 | 45, 55 |
|----------------|--------|

Threaded Rod

| | |
|----------------|----|
| F8452101 | 59 |
|----------------|----|

Top Cover

| | |
|----------------|----|
| F8553301 | 35 |
| F8553302 | 35 |

Top Cover Hinge

| | |
|----------------|----|
| F8258601 | 35 |
|----------------|----|

Top Cover Latch

| | |
|----------------|--------|
| F8201001 | 31, 33 |
|----------------|--------|

Torsion/Door Lock Spring

| | |
|----------------|----|
| F8070301 | 41 |
|----------------|----|

Transformer

| | |
|----------------|----|
| F8491101 | 13 |
| 202758 | 13 |

Tubing

| | |
|----------------|-------|
| F8405302 | 9, 11 |
| F8405303 | 9, 11 |

N/A items do not appear in index.

U

| | |
|--------------------------------------|----|
| USB IR Interface Kit 203346 | 59 |
|--------------------------------------|----|

V

| | |
|-------------------------|----|
| Vacuum Breaker Assembly | |
| F8517501 | 51 |
| F8517502 | 51 |
| F8517503 | 51 |
| F8517504 | 51 |
| Vacuum Breaker Guard | |
| F8589601 | 51 |
| Valve | |
| F8322805 | 57 |
| F8565201 | 51 |
| F8565202 | 51 |
| Valve Panel | |
| F8553401 | 35 |

W

| | |
|-----------------------------|-----------|
| Warning Label | |
| 44324001 | 7 |
| Washer | |
| F431133 | 39 |
| F431147 | 39 |
| F431916 | 39 |
| F431929 | 39 |
| F8171201 | 47 |
| F8193101 | 41 |
| F8201101 | 31, 33 |
| F8366601 | 53 |
| F8402701 | 45 |
| F8456101 | 59 |
| M400013 | 53 |
| M400080 | 43, 47 |
| M400081 | 45 |
| M405535 | 37 |
| 70292801 | 31, 33 |
| 804501 | 35 |
| Water Hose | |
| F200164 | 51 |
| F200166 | 51 |
| Water Level Pressure Switch | |
| F8609101 | 9, 11, 55 |
| Water Reuse Hose | |
| C000412 | 49 |
| Wire Clip | |
| F8449501 | 9, 11, 13 |
| 70347601 | 13 |
| 70366201 | 9, 11 |
| Wire Label | |
| 44286804 | 23 |
| Wireless Harness | |
| F8520404 | 13 |
| F8674004 | 13 |
| Wireless Kit | |
| F8662402 | 13 |
| F8676101 | 13 |

| | |
|-----------------------------------|----|
| Wireless Network Control Assembly | |
| 203532 | 13 |
| 807211 | 13 |

Y

| | |
|--------------------|----|
| Y-Connector | |
| 223/00243/00 | 51 |

N/A items do not appear in index.

