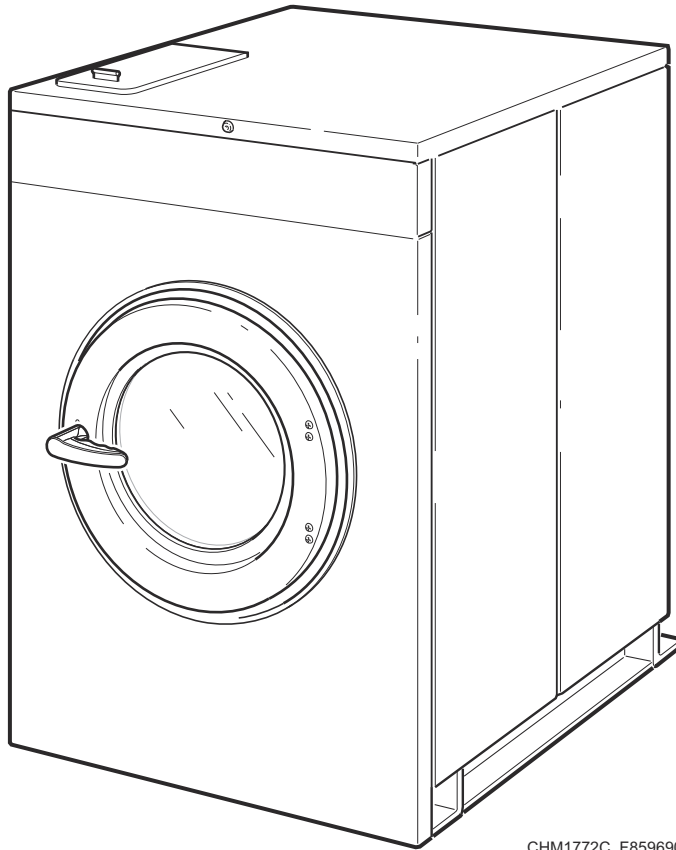


Washer-Extractor

Cabinet Hardmount
Design 1

Refer to Page 3 for Model Numbers



CHM1772C_F8596901



Table of Contents

Title	Page
Parts Ordering Information.....	2
Serial Plate Location	2
Model Identification	3
Product Overview - M9, M30, Galaxy 400, Galaxy 600, Quantum Silver and Quantum Gold	4
Product Overview - M4, Galaxy 200 and Quantum Standard	6
Decals	8
Control Module - 2 Speed OPL Models	10
Control Module - F-Speed OPL Models	12
Control Module - 2 Speed Vend Models	14
Control Module - F-Speed Vend Models.....	16
Flush Mount Coin Meter Assembly - Single Drop	18
Flush Mount Coin Meter Assembly - Dual Drop.....	20
Electronic Coin Meter Assembly	22
Card Reader	24
Optional Coin Box.....	26
Rocker Switch and Temperature Knob	28
Front Panel and Control Panel - Vend Models	30
Front Panel and Control Panel - Card Reader and OPL Models	32
Control Panel Overlays	34
Panels	36
Door - 20 Pound Models	38
Door - 30 Pound Models	40
Door - 40 and 60 Pound Models	42
Door Lock.....	44
Shell Front and Basket.....	46
Trunnion.....	48
Shell and Frame.....	50
Drain Plumbing	52
Drain Valve Assembly - 20 and 30 Pound Models.....	54
Drain Valve Assembly - 40 and 60 Pound Models.....	56
Steam Filter (Optional) and Water Supply Hose	58
Fill Plumbing Assembly (Drawing 1 of 2)	60
Fill Plumbing Assembly (Drawing 2 of 2)	62
Motor Mount, Pulley and Belt.....	64
Motor - 20 and 30 Pound Models.....	66
Motor - 40 and 60 Pound Models.....	68
Electric Heat Option	70
Steam Heat Option	72
Parts Index.....	75

© Copyright 2019, Alliance Laundry Systems LLC

All rights reserved. No part of the contents of this book may be reproduced or transmitted in any form or by any means without the expressed written consent of the publisher.

Parts Ordering Information

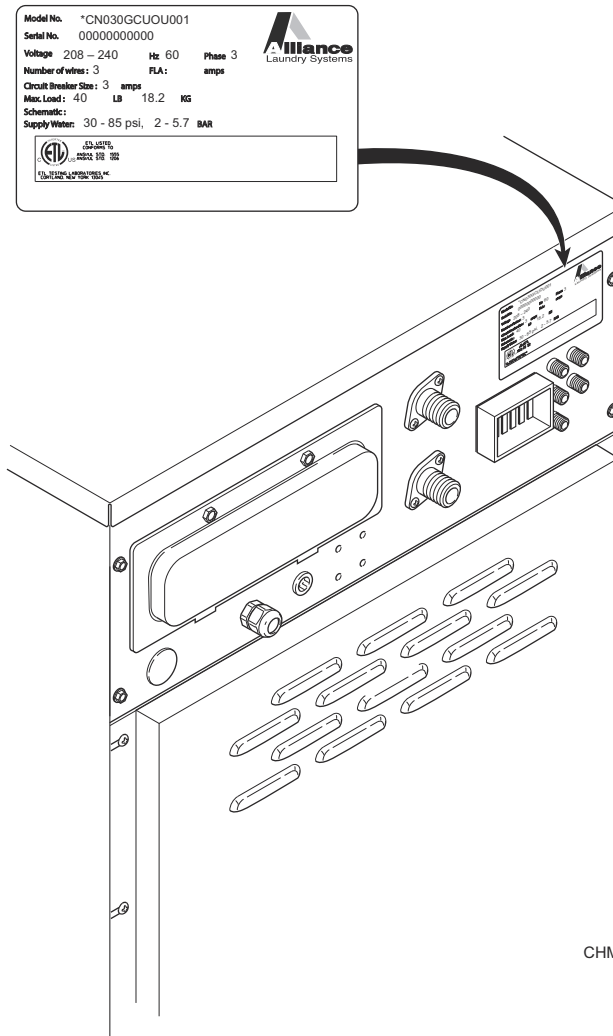
If literature or replacement parts are required, contact the source from whom the machine was purchased or contact Alliance Laundry Systems at (920) 748-3950 for the name and address of the nearest authorized parts distributor.

For technical assistance, call the number listed below:

(920) 748-3121 Ripon, Wisconsin

Serial Plate Location

When calling or writing about your product, be sure to mention model and serial numbers. Model and serial numbers are located on serial plate(s) as shown.



CHM3025P_F8596901

Model Identification

Information in this manual is applicable to these washer-extractor models:

HCD020GD2	HCU020GC2	SCL040GC2	SCU020GC2	UCL020GN2
HCL020GC2	HCU020GD2	SCL040GCF	SCU020GD2	UCL020GNF
HCL020GD2	HCU020GE2	SCL040GN2	SCU020GE2	UCL030GN2
HCL020GN2	HCU020GL2	SCL040GNF	SCU020GL2	UCL030GNF
HCL020GNF	HCU020GN2	SCL060GC2	SCU020GN2	UCL040GN2
HCL030GN2	HCU020GX2	SCL060GN2	SCU020GX2	UCL040GNF
HCL030GNF	HCU020GY2	SCL060GNF	SCU020GY2	UCL060GN2
HCL040GN2	HCU030GC2	SCN020GC2	SCU030GC2	UCL060GNF
HCL040GNF	HCU030GD2	SCN020GD2	SCU030GD2	UCN020GN2
HCL060GN2	HCU030GE2	SCN020GE2	SCU030GE2	UCN020GNF
HCL060GNF	HCU030GL2	SCN020GN2	SCU030GL2	UCN030GN2
HCN020GC2	HCU030GN2	SCN020GNF	SCU030GN2	UCN030GNF
HCN020GD2	HCU030GX2	SCN020GX2	SCU030GX2	UCN040GN2
HCN020GE2	HCU030GY2	SCN020GY2	SCU030GY2	UCN040GNF
HCN020GN2	HCU040GC2	SCN030GC2	SCU040GC2	UCN060GN2
HCN020GNF	HCU040GD2	SCN030GD2	SCU040GD2	UCN060GNF
HCN020GX2	HCU040GE2	SCN030GE2	SCU040GE2	UCU020GN2
HCN020GY2	HCU040GL2	SCN030GN2	SCU040GL2	UCU030GN2
HCN030GC2	HCU040GN2	SCN030GNF	SCU040GN2	UCU040GN2
HCN030GD2	HCU040GX2	SCN030GX2	SCU040GX2	UCU060GN2
HCN030GE2	HCU040GY2	SCN030GY2	SCU040GY2	UCZ020GN2
HCN030GN2	HCU060GC2	SCN040GC2	SCU060GC2	UCZ030GN2
HCN030GNF	HCU060GD2	SCN040GD2	SCU060GD2	VCU030GN2
HCN030GX2	HCU060GE2	SCN040GE2	SCU060GE2	VCU040GN2
HCN030GY2	HCU060GL2	SCN040GN2	SCU060GL2	VCU060GN2
HCN040GC2	HCU060GN2	SCN040GNF	SCU060GN2	
HCN040GD2	HCU060GX2	SCN040GX2	SCU060GX2	
HCN040GE2	HCU060GY2	SCN040GY2	SCU060GY2	
HCN040GN2	HCZ020GN2	SCN060GC2	SCZ020GN2	
HCN040GNF	HCZ030GN2	SCN060GCF	SCZ030GN2	
HCN040GX2	SCD030GD2	SCN060GD2		
HCN040GY2	SCD040GD2	SCN060GDF		
HCN060GC2	SCD060GD2	SCN060GE2		
HCN060GCF	SCL020GC2	SCN060GN2		
HCN060GD2	SCL020GN2	SCN060GNF		
HCN060GE2	SCL020GNF	SCN060GX2		
HCN060GN2	SCL030GC2	SCN060GY2		
HCN060GNF	SCL030GCF			
HCN060GX2	SCL030GN2			
HCN060GY2	SCL030GNF			

Product Overview - M9, M30, Galaxy 400, Galaxy 600, Quantum Silver and Quantum Gold

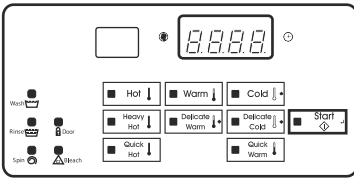
Model No. *CIN030GC2UOU001
 Serial No. 0000000000

Voltage 208 – 240 Hz 60 Phase 3
 Number of wires : 3 FLA: amps
 Circuit Breaker Size : 3 amps
 Max. Load : 40 LB 18.2 KG
 Schematic :
 Supply Water: 30 - 85 psi, 2 - 5.7 BAR

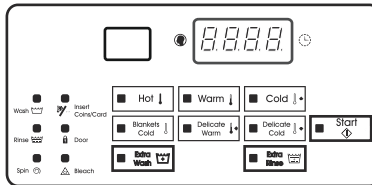
Alliance
 Laundry Systems

ETL LISTED
 CONFORMS TO
 ANSUL STD. 1552
 US ANSUL STD. 1506

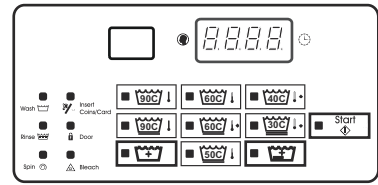
ETL TESTING LABORATORIES INC.
 CORTLAND, NEW YORK 13045



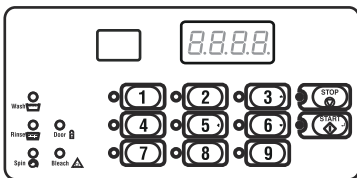
Galaxy 400 Coin



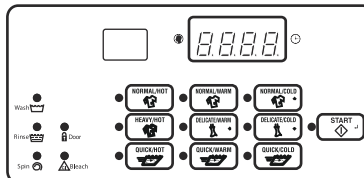
Galaxy 600 Coin (Domestic)



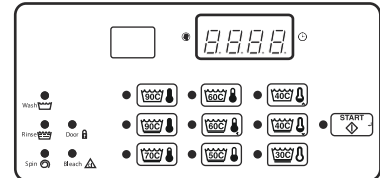
Galaxy 600 Coin (International)



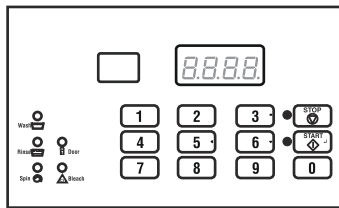
M9/Galaxy 400 OPL/Quantum Silver OPL



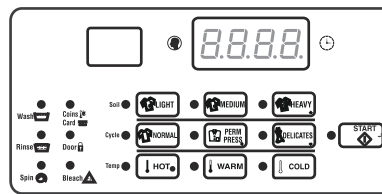
Quantum Silver Coin (Domestic)



Quantum Silver Coin (International)



M30/Quantum Gold OPL



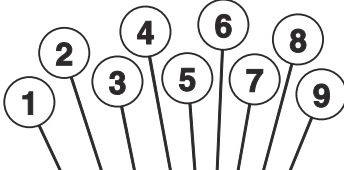
Quantum Gold

CHM3217P_F8596901


Product Overview - M9, M30, Galaxy 400, Galaxy 600, Quantum Silver and Quantum Gold


REF	PART NO.	DESCRIPTION	COMMENTS
1	-	Product Family	CC HC IC NC SC UC YC
2	-	Market	B (Brazil CE) D (Daiwa) L (International ETL9c) N (Domestic ETL(c)) U (International CE) W (WRAS CE) Y (Australia) Z (No Agency International)
3	-	Capacity (Pounds)	020 030 040 060 080 100 125
4	-	Control	G H J K L W
5	-	Actuation	C (Drop Coin Meter) D (Digital Coin Meter) E (Electronic World Drop) L (Prep for Remote/Central Pay) N (Non-Coin OPL) X (Prep for Coin Meter) Y (Prep for Card Reader)
6	-	Speed	2 (2 Speed) F (F-Speed) V (V-Speed)
7	-	Voltage	B (120/60/1/2) C (380-415/50/3/4) F (440-480/60/3/3) J (200/50/3/3) N (440-480/50/60/3) O (208/220-240/60/3/3) P (380-415/50/60/3) Q (200-208/220-240/50/60/3) R (380-415/440-480/50/60/3) X (200-208/220-240/50/60/1/3) Y (208/220-240/60/1/2)
8	-	Side Panel	U (Standard) 1 (Stainless Steel)
9	-	Design	1 2 3

Product Overview - M4, Galaxy 200 and Quantum Standard

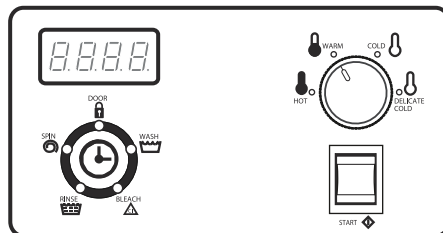


Model No. *CIN030GC2UOU001
 Serial No. 0000000000
 Voltage 208 – 240 Hz 60 Phase 3
 Number of wires : 3 FLA : amps
 Circuit Breaker Size : 3 amps
 Max. Load : 40 LB 18.2 KG
 Schematic :
 Supply Water: 30 - 85 psi, 2 - 5.7 BAR





ETL LISTED
 CONFORMS TO
 ANSI/UL STD. 1955
 US ANSI/UL STD. 1202
 ETL TESTING LABORATORIES, INC.
 CORTLAND, NEW YORK 13045



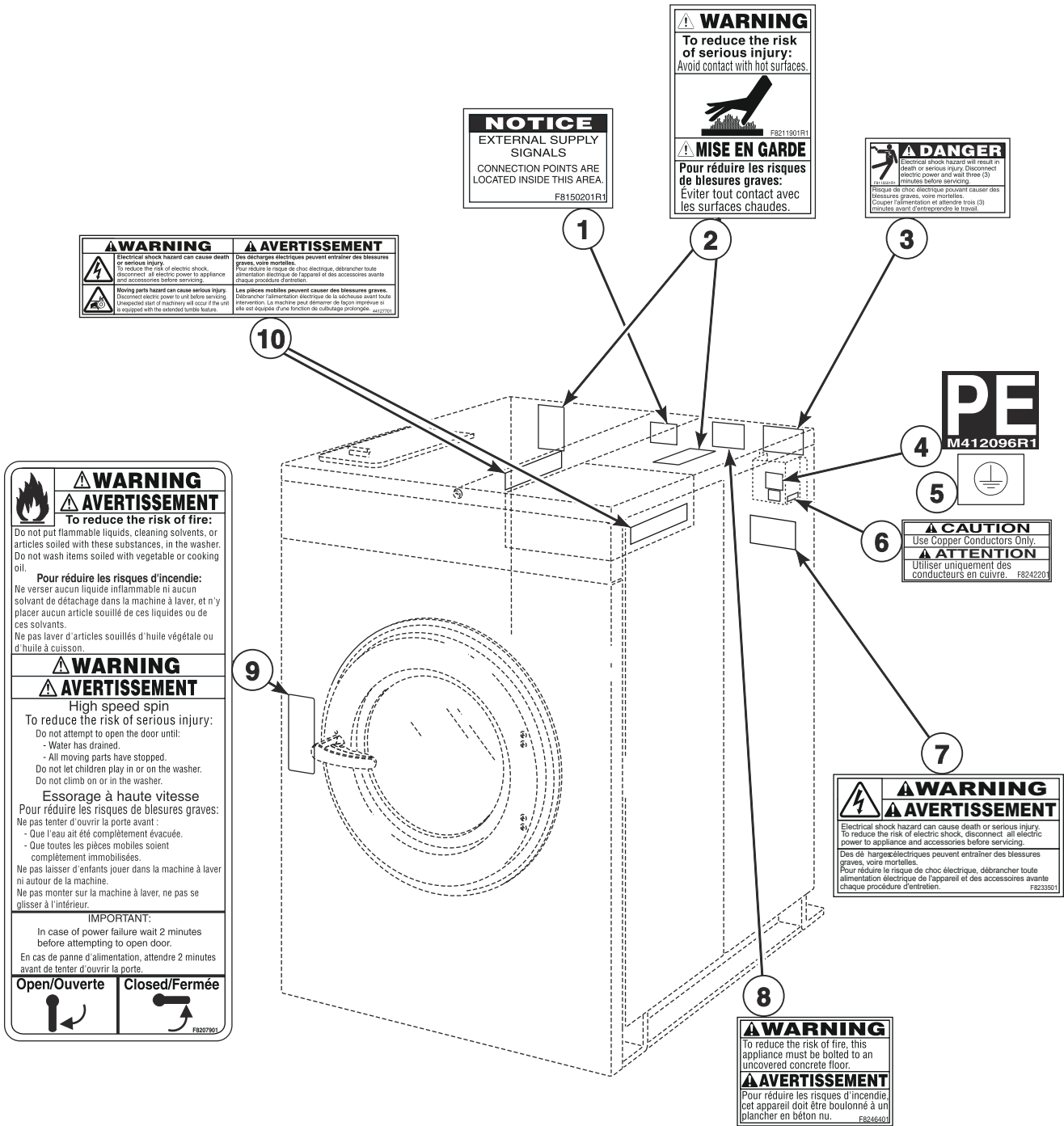
M4/Galaxy 200/Quantum Standard

CHM3218P_F8596901

Product Overview - M4, Galaxy 200 and Quantum Standard

REF	PART NO.	DESCRIPTION	COMMENTS
1	-	Product Family	CC HC IC NC SC UC YC
2	-	Market	B (Brazil CE) D (Daiwa) L (International ETL9c) N (Domestic ETL(c)) U (International CE) W (WRAS CE) Y (Australia) Z (No Agency International)
3	-	Capacity (Pounds)	020 030 040 060 080 100 125
4	-	Control	G H J K L W
5	-	Actuation	C (Drop Coin Meter) D (Digital Coin Meter) E (Electronic World Drop) L (Prep for Remote/Central Pay) N (Non-Coin OPL) X (Prep for Coin Meter) Y (Prep for Card Reader)
6	-	Speed	2 (2 Speed) F (F-Speed) V (V-Speed)
7	-	Voltage	B (120/60/1/2) C (380-415/50/3/4) F (440-480/60/3/3) J (200/50/3/3) N (440-480/50/60/3) O (208/220-240/60/3/3) P (380-415/50/60/3) Q (200-208/220-240/50/60/3) R (380-415/440-480/50/60/3) X (200-208/220-240/50/60/1/3) Y (208/220-240/60/1/2)
8	-	Side Panel	U (Standard) 1 (Stainless Steel)
9	-	Design	1 2 3

Decals

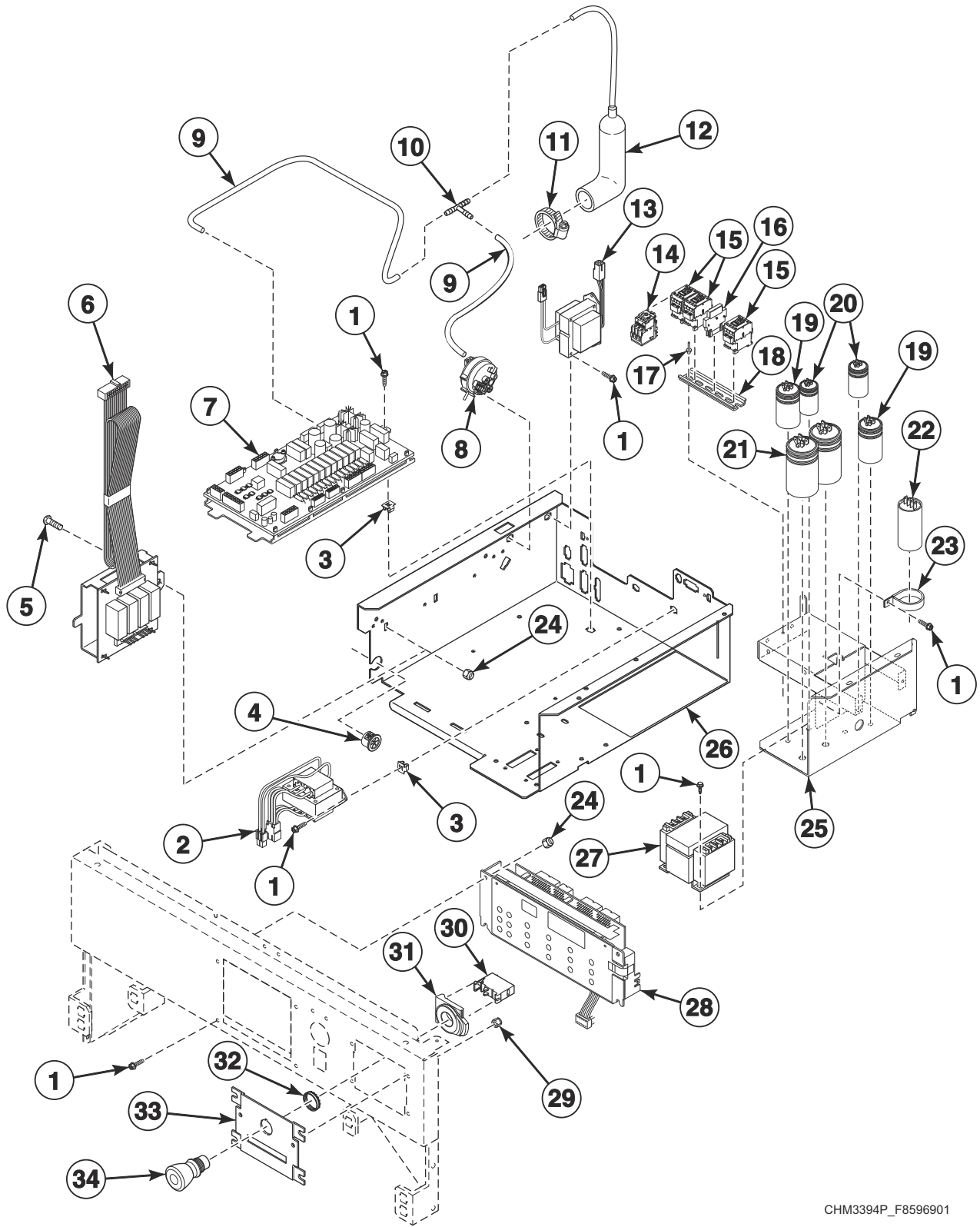


CHM3027P_F8596901

Decals

REF	PART NO.	DESCRIPTION	COMMENTS
1	F8150201	External Supply Connection Decal	
2	F8614301	Hot Surface Warning Label	
3	F8115501	Electric Shock Danger Label	
4	M412096	Earth Terminal Sticker	
5	F230739	Ground Decal	
6	F8242201	Use Copper Conductors Only Caution Label	
7	F8233501	Warning Label	
8	F8246401	Mount on Concrete Warning Label	
9	F8207901	Warning Label	
10	44324001	Warning Label	

Control Module - 2 Speed OPL Models

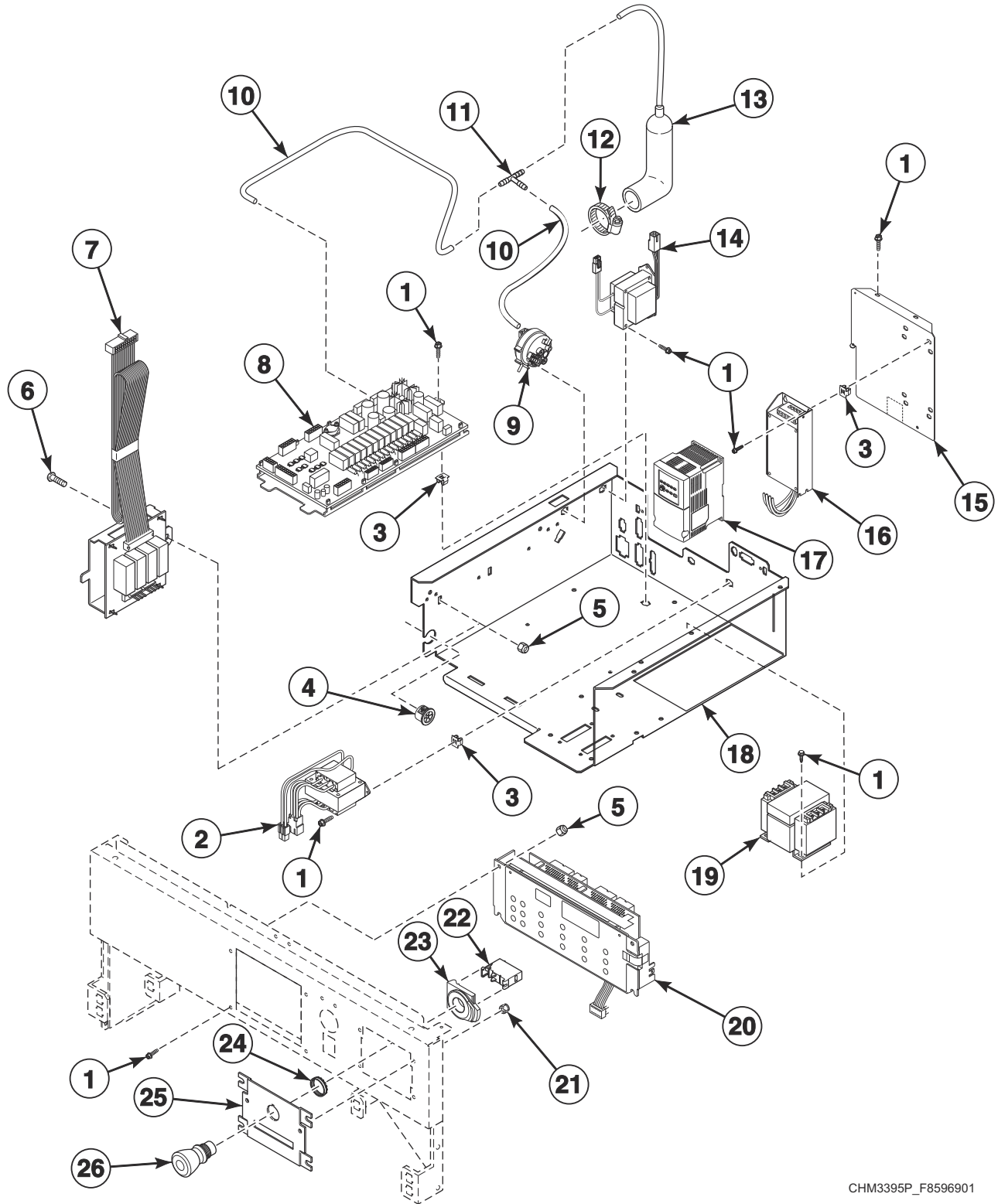


CHM3394P_F8596901

Control Module - 2 Speed OPL Models

REF	PART NO.	DESCRIPTION	COMMENTS
	F8028701	Output/Logic Harness	
	203346	USB IR Interface Kit	
	F8191201P	External Supply Harness	
	F937P3	External Supply Kit	Includes items 1, 2, 6, F8191201P External Supply Harness and screws
	F8028101P	Machine Size Configuration Harness	20 pound models
	F8028103P	Machine Size Configuration Harness	30 pound models
	F8028104P	Machine Size Configuration Harness	40 pound models
	F8028105P	Machine Size Configuration Harness	60 pound models
	F8261501P	Control Tray Harness	
	M413506	Jumper Harness Assembly	208 Volt
	M413507	Jumper Configuration Assembly	240 Volt
	F8028219P	Temperature Configuration Harness	
	F8028240P	Temperature Configuration Harness	Prep for steam
	F8028242P	Temperature Configuration Harness	Electric and steam heat
1	F8206901	Screw	
2	803527P	Transformer	
3	70030501	Expansion Clip	
4	44071501	Snap Bushing	
5	F430903	Screw	
6	F8189401P	Auxiliary Control Assembly	
7	F980P3	Control Assembly Kit	Includes item 10 and F8108001 Output Assembly
	802493	Fuse	2.5 Amp
8	F8223001P	Water Pressure Switch	
9	F8153901	Tubing	
10	F8246601	Tee	
11	F200222	Hose Clamp	No. 12
12	F020014200	Air Trap Hose	
13	201616P	Transformer	External supply
14	F8176101P	Overload Contactor	Y-voltage
15	F330177P	Contactor	
16	F330186P	Interlock Contactor	
17	70058501	Pop Rivet	
18	F8200101	DIN Rail	
19	F8411901	Capacitor	50 MFD; 20 pound models Y-voltage, 1 used; 40 pound models Y-voltage, 2 used
	F370221	Capacitor	100 MFD; 20 pound models; B-voltage, 1 used
20	F8411701	Capacitor	20 MFD; 30 pound models Y-voltage, 4 used; 40 pound models Y-voltage, 2 used
	F8411801	Capacitor	25 MFD; 20 pound models; Y-voltage, 2 used
21	F370220	Capacitor	130 MFD; 20 pound models B-voltage, 2 used; 30 pound models Y-voltage, 1 used
	F370218P	Capacitor	160 MFD; 40 pound models; Y-voltage, 2 used
22	F340002	Motor Switch	50 Amp
23	F0340722-00	Switch Clamp	
24	F430232	Nut	
25	F8199601	Capacitor Tray Assembly	20 pound models; B and Y-voltage
	F8199901	Capacitor Tray Assembly	All other models; B and Y-voltage
	F8343401	Contactor Tray Assembly	C, F, J and O-voltage
26	F8205901	Control Tray Assembly	
27	F360157P	Transformer	B-voltage
28	F999P3	Control Kit	Includes F8028701 Output/Logic Harness
29	F431017	Nut	
30	F8069501	Contact Switch	
31	F200233401P	Contact Block Switch	Includes item 30 and F8538101 Contact Base
	F8538101	Contact Base	
32	24205	Nut	
33	F8201301	Emergency Stop Plate	
34	F200233500	Emergency Stop Pushbutton	

Control Module - F-Speed OPL Models

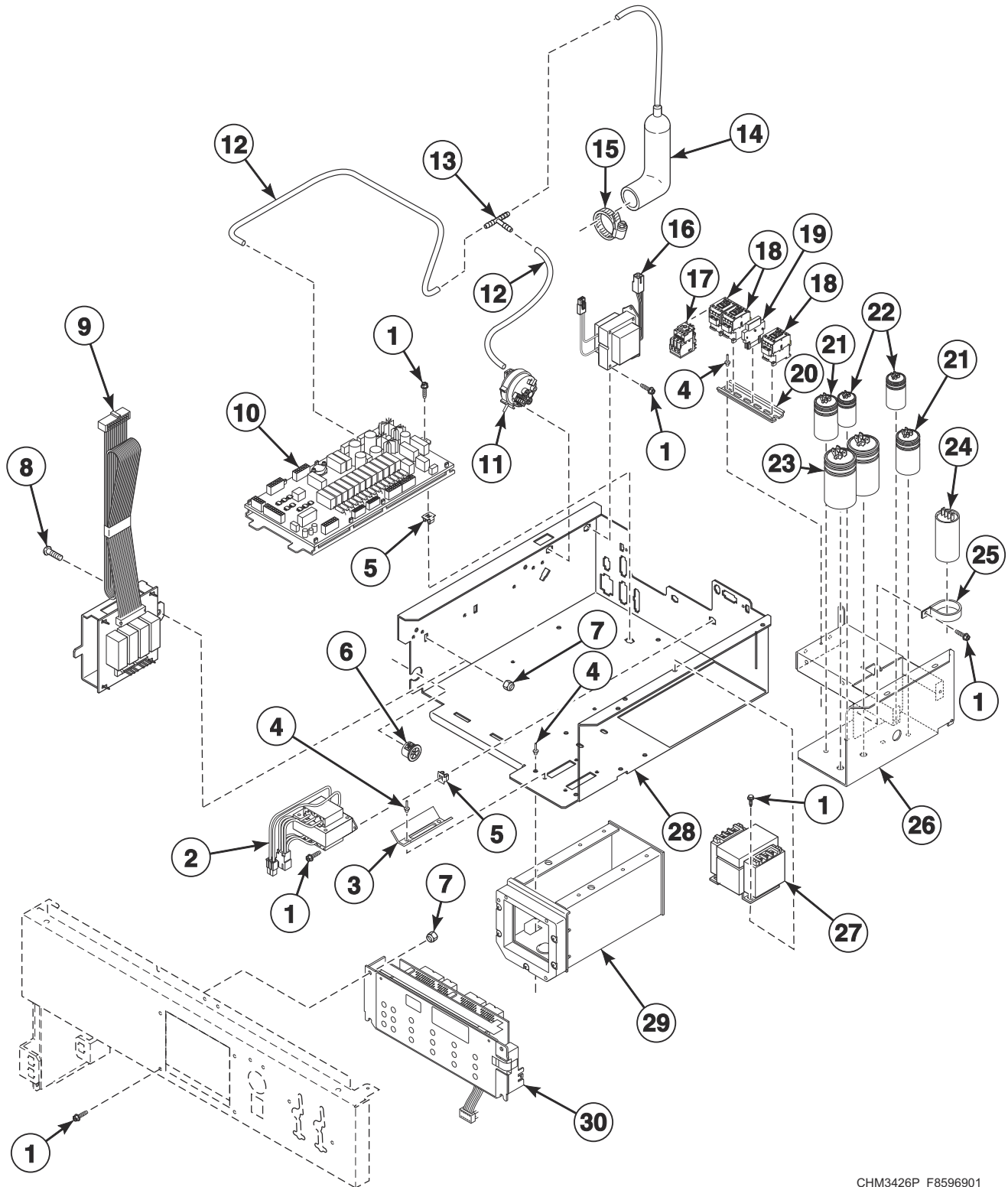


CHM3395P_F8596901

Control Module - F-Speed OPL Models

REF	PART NO.	DESCRIPTION	COMMENTS
	F8028701	Output/Logic Harness	
	F8060501	Emergency Stop Harness	
	203346	USB IR Interface Kit	
	F8191201P	External Supply Harness	
	F937P3	External Supply Kit	Includes items 1, 2, 7, F8191201P External Supply Harness and screws
	F8028101P	Machine Size Configuration Harness	20 pound models
	F8028103P	Machine Size Configuration Harness	30 pound models
	F8028104P	Machine Size Configuration Harness	40 pound models
	F8028105P	Machine Size Configuration Harness	60 pound models
	F8261501P	Control Tray Harness	
	M413506	Jumper Harness Assembly	208 Volt
	M413507	Jumper Configuration Assembly	240 Volt
1	F8206901	Screw	
2	803527P	Transformer	
3	70030501	Expansion Clip	
4	44071501	Snap Bushing	
5	F430232	Nut	
6	F430903	Screw	
7	F8189401P	Auxiliary Control Assembly	
8	F980P3	Control Assembly Kit	Includes item 11 and F8108001 Output Assembly
	802493	Fuse	2.5 Amp
9	F8223001P	Water Pressure Switch	
10	F8153901	Tubing	
11	F8246601	Tee	
12	F200222	Hose Clamp	No. 12
13	F020014200	Air Trap Hose	
14	201616P	Transformer	External supply
15	F8195803	Support Bracket	
16	F8053901P	EMI Filter	Q and X-voltage; International models only
	F8053902	EMI Filter	N, P and R-voltage; International models only
17	F8169407	PowerFlex 40 Drive	Models through 3/8/10; Q and X-voltage; Models with an Elmo motor
	F8169408	PowerFlex 40 Drive	Models through 3/8/10; R-voltage; Models with an Elmo motor
	F8169440	PowerFlex 40 Drive	Models starting 3/9/10; Q and X-voltage; Models with a Hanning motor
	F8169441	PowerFlex 40 Drive	Models starting 3/9/10; N, P and R-voltage; Models with a Hanning motor
18	F8205901	Control Tray Assembly	20 and 30 pound models
	F8205903	Control Tray Assembly	40 and 60 pound models
19	F360157P	Transformer	C, F, N and P-voltage
20	F999P3	Control Kit	Includes F8028701 Output/Logic Harness
21	F431017	Nut	
22	F8069501	Contact Switch	
23	F200233401P	Contact Block Switch	Includes item 22 and F8538101 Contact Base
	F8538101	Contact Base	
24	24205	Nut	
25	F8201301	Emergency Stop Plate	
26	F200233500	Emergency Stop Pushbutton	

Control Module - 2 Speed Vend Models

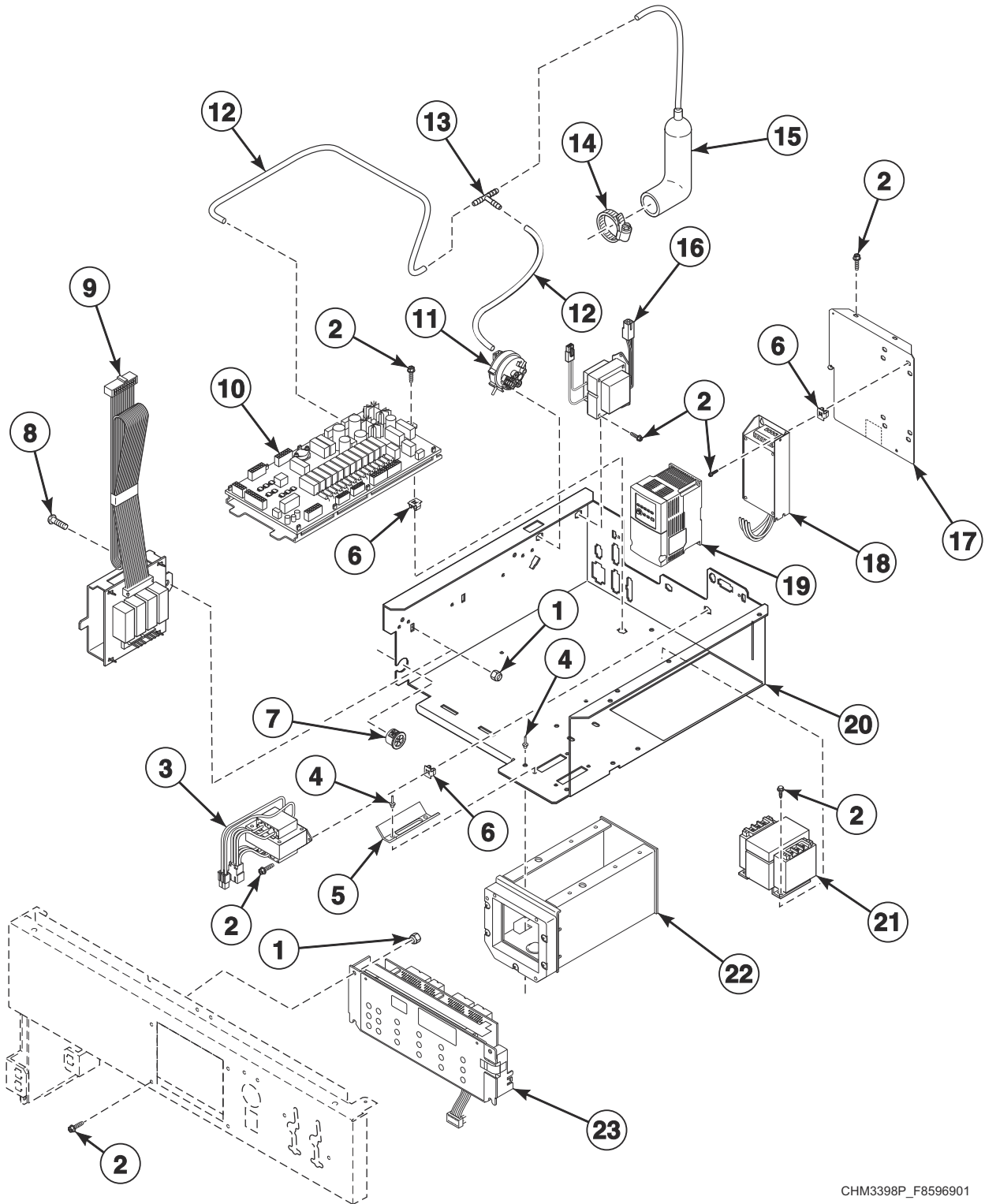


CHM3426P_F8596901

Control Module - 2 Speed Vend Models

REF	PART NO.	DESCRIPTION	COMMENTS
	F8028701	Output/Logic Harness	
	203346	USB IR Interface Kit	
	F937P3	External Supply Kit	Includes items 1, 2, 9, F8191201P External Supply Harness and screws
	F8028101P	Machine Size Configuration Harness	20 pound models
	F8028103P	Machine Size Configuration Harness	30 pound models
	F8028104P	Machine Size Configuration Harness	40 pound models
	F8028105P	Machine Size Configuration Harness	60 pound models
	F8261501P	Control Tray Harness	
	M413506	Jumper Harness Assembly	208 Volt
	M413507	Jumper Configuration Assembly	240 Volt
	F8028219P	Temperature Configuration Harness	
1	F8206901	Screw	
2	803527P	Transformer	
3	F8170801	Coin Chute	
4	70058501	Pop Rivet	
5	70030501	Expansion Clip	
6	44071501	Snap Bushing	
7	F430232	Nut	
8	F430903	Screw	
9	F8189401P	Auxiliary Control Assembly	
10	F980P3	Control Assembly Kit	Includes item 13 and F8108001 Output Assembly
	802493	Fuse	2.5 Amp
11	F8223001P	Water Pressure Switch	
12	F8153901	Tubing	
13	F8246601	Tee	
14	F020014200	Air Trap Hose	
15	F200222	Hose Clamp	No. 12
16	201616P	Transformer	External supply
17	F8176101P	Overload Contactor	
18	F330177P	Contactor	
19	F330186P	Interlock Contactor	
20	F8200101	DIN Rail	
21	F8411901	Capacitor	50 MFD; 20 pound models Y-voltage, 1 used; 40 pound models Y-voltage, 2 used
	F370221	Capacitor	100 MFD; 20 pound models; B-voltage, 1 used
22	F8411701	Capacitor	20 MFD; 30 pound models Y-voltage, 4 used; 40 pound models Y-voltage, 2 used
	F8411801	Capacitor	25 MFD; 20 pound models; Y-voltage, 2 used
23	F370220	Capacitor	130 MFD; 20 pound models B-voltage, 2 used; 30 pound models Y-voltage, 1 used
	F370218P	Capacitor	160 MFD; 40 pound models; Y-voltage, 2 used
24	F340002	Motor Switch	50 Amp
25	F0340722-00	Switch Clamp	
26	F8199601	Capacitor Tray Assembly	20 pound models; B and Y-voltage
	F8199901	Capacitor Tray Assembly	All other models; B and Y-voltage
	F8343401	Contactor Tray Assembly	C, F, J and O-voltage
27	F360157P	Transformer	B, C and F-voltage
28	F8205902	Control Tray Assembly	20 and 30 pound models; Includes items 3 and 26
	F8205903	Control Tray Assembly	40 and 60 pound models; Includes items 3 and 26
29	F8182501	Coin Vault Assembly	20 and 30 pound models
	F8182601	Coin Vault Assembly	40 and 60 pound models
30	F999P3	Control Kit	

Control Module - F-Speed Vend Models

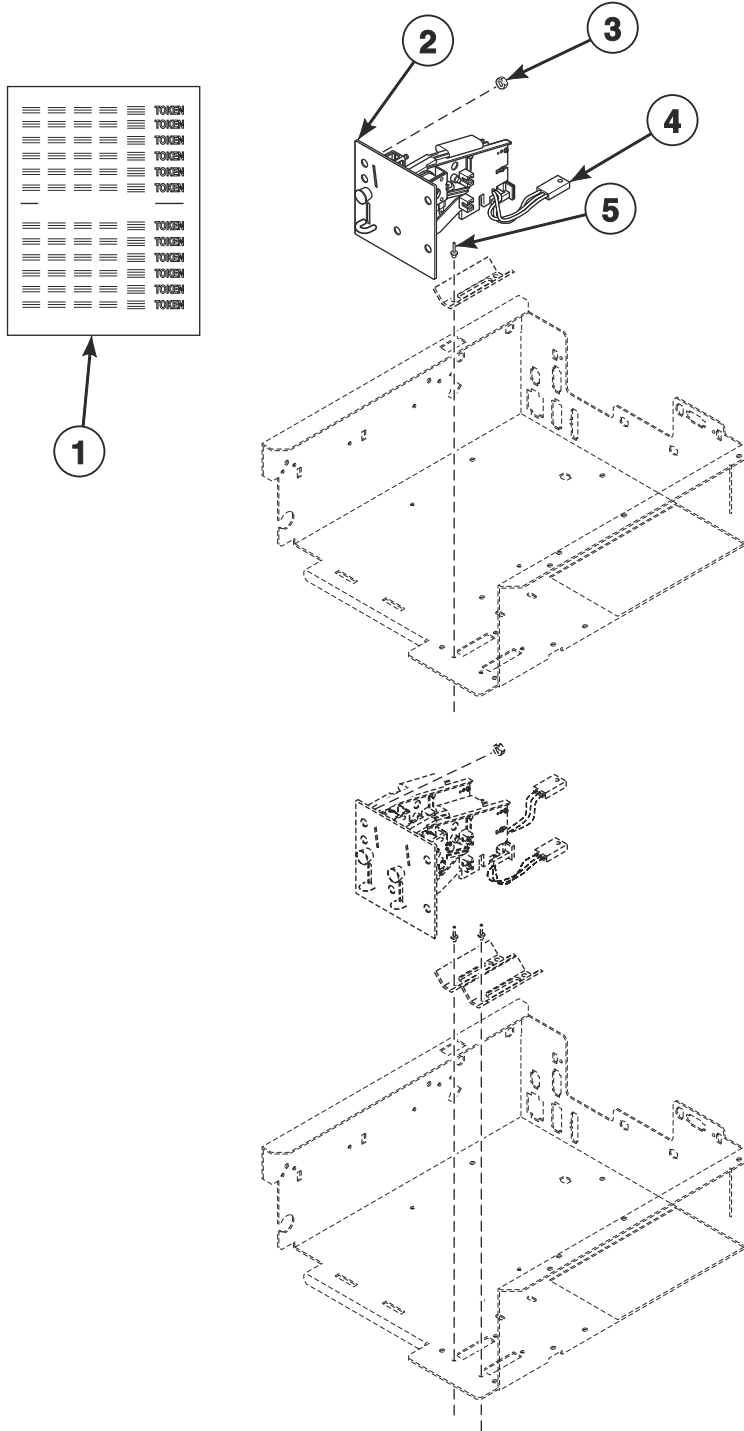


CHM3398P_F8596901

Control Module - F-Speed Vend Models

REF	PART NO.	DESCRIPTION	COMMENTS
	F8028701	Output/Logic Harness	
	203346	USB IR Interface Kit	
	F8028103P	Machine Size Configuration Harness	Model SCL030GCF
	F8028104P	Machine Size Configuration Harness	Model SCL040GCF
	F8028105P	Machine Size Configuration Harness	Models HCN060GCF, SCN060GCF and SCN060GDF
	F8261501P	Control Tray Harness	
	M413506	Jumper Harness Assembly	208 Volt
	M413507	Jumper Configuration Assembly	240 Volt
	F8191201P	External Supply Harness	
	F937P3	External Supply Kit	Includes items 2, 3, 9, F8191201P External Supply Harness and screws
1	F430232	Nut	
2	F8206901	Screw	
3	803527P	Transformer	
4	70058501	Pop Rivet	
5	F8170801	Coin Chute	
6	70030501	Expansion Clip	
7	44071501	Snap Bushing	
8	F430903	Screw	
9	F8189401P	Auxiliary Control Assembly	
10	F980P3	Control Assembly Kit	Includes item 13 and F8108001 Output Assembly
	802493	Fuse	2.5 Amp
11	F8223001P	Water Pressure Switch	
12	F8153901	Tubing	
13	F8246601	Tee	
14	F200222	Hose Clamp	No. 12
15	F020014200	Air Trap Hose	
16	201616P	Transformer	External supply
17	F8195803	Support Bracket	
18	F8053901P	EMI Filter	240 Volt; International models only
	F8053902	EMI Filter	480 Volt; International models only
19	F8169403	PowerFlex 40 Drive	Model SCL030GCF; Models through 2/28/10; Q and X-voltage
	F8169404	PowerFlex 40 Drive	Model SCL030GCF; Models through 2/28/10; N, P and R-voltage
	F8169405	PowerFlex 40 Drive	Model SCL040GCF; Models through 3/8/10; Q and X-voltage
	F8169406	PowerFlex 40 Drive	Model SCL040GCF; Models through 3/8/10; N, P and R-voltage
	F8169407	PowerFlex 40 Drive	60 pound models; Models through 3/8/10; Q and X-voltage with an Elmo motor
	F8169408	PowerFlex 40 Drive	60 pound models; Models through 3/8/10; N, P and R-voltage with an Elmo motor
	F8169436	PowerFlex 40 Drive	Model SCL030GCF; Models starting 3/1/10; Q and X-voltage
	F8169437	PowerFlex 40 Drive	Model SCL030GCF; Models starting 3/1/10; N, P and R-voltage
	F8169438	PowerFlex 40 Drive	Model SCL040GCF; Models starting 3/9/10; Q and X-voltage
	F8169439	PowerFlex 40 Drive	Model SCL040GCF; Models starting 3/9/10; N, P and R-voltage
	F8169440	PowerFlex 40 Drive	60 pound models; Models starting 3/9/10; Q and X-voltage with a Hanning motor
	F8169441	PowerFlex 40 Drive	60 pound models; Models starting 3/9/10; N, P and R-voltage with a Hanning motor
20	F8205902	Control Tray Assembly	Model SCL030GCF; Includes items 5 and 21
	F8205903	Control Tray Assembly	All other models; Includes items 5 and 21
21	F360157P	Transformer	N, P and R-voltage
22	F8182601	Coin Vault Assembly	
23	F999P3	Control Kit	Includes F8028701 Output/Logic Harness

Flush Mount Coin Meter Assembly - Single Drop



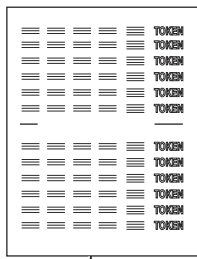
CHM3088P_F8596901

Flush Mount Coin Meter Assembly - Single Drop

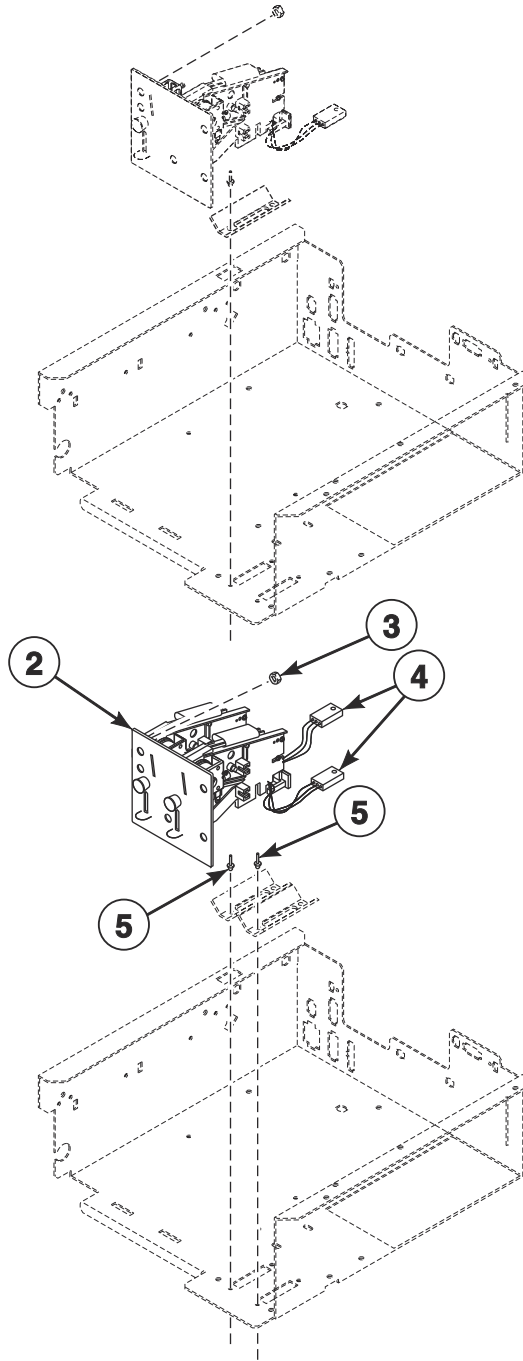
REF	PART NO.	DESCRIPTION	COMMENTS
	F200010000P	Coin Meter Assembly	U.S. \$.25; Includes items 2 and 3
	F200010006	Coin Meter Assembly	.800 token; Includes items 2 and 3
	F200010007	Coin Meter Assembly	.880 token; Includes items 2 and 3
	F200010009	Coin Meter Assembly	.990 token; Includes items 2 and 3
	F200010011	Coin Meter Assembly	Jeton WH121 token; Includes items 2 and 3
	F200010012	Coin Meter Assembly	Jeton .08 token; Includes items 2 and 3
1	38725	Coin Identification Paper	
2	38464P	Coin Drop Assembly	Canada .25
	N/A	Coin Drop Assembly	Australia .20
	N/A	Coin Drop Assembly	Belgium 5 franc
	N/A	Coin Drop Assembly	Denmark 2 krone
	N/A	Coin Drop Assembly	United Kingdom 20 pence
	N/A	Coin Drop Assembly	France 2 franc
	N/A	Coin Drop Assembly	Hong Kong 5 dollar
	N/A	Coin Drop Assembly	Italy 500 lira
	N/A	Coin Drop Assembly	Japan 100 yen
	N/A	Coin Drop Assembly	Korea 500 won
	N/A	Coin Drop Assembly	South Africa 2 rand
	N/A	Coin Drop Assembly	Spain 100 peseta
	N/A	Coin Drop Assembly	Thailand 10 baht
	N/A	Coin Drop Assembly	.886 token
	N/A	Coin Drop Assembly	1.000 token
	N/A	Coin Drop Assembly	Jeton 08 token
	70441601P	Coin Drop	U.S. \$.25
	N/A	Coin Drop Assembly	.800 token
	38462P	Coin Drop Assembly	Token; 118-1; .880 diameter x .079 thick; Brass
	38463	Coin Drop Assembly	Token; 118-5; .990 diameter x .081 thick; Silver
	N/A	Coin Drop Assembly	Jeton WH121 token
	N/A	Coin Meter	Jeton .08 token
3	685846	Nut	
4	200674P	Opto Coupler	
5	70058501	Pop Rivet	

N/A = Part no longer available

Flush Mount Coin Meter Assembly - Dual Drop



1



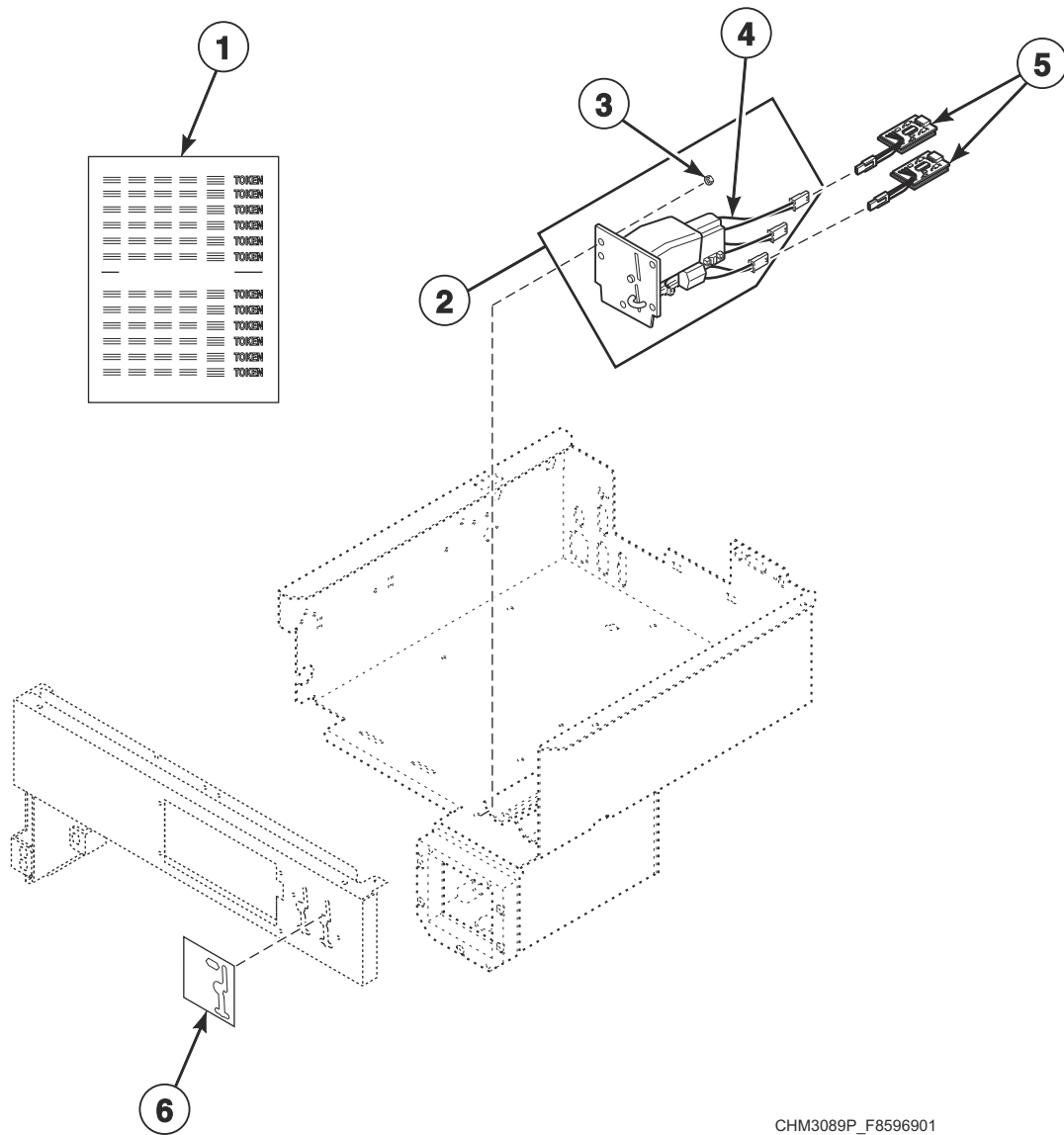
CHM3088PA_F8596901

Flush Mount Coin Meter Assembly - Dual Drop

REF	PART NO.	DESCRIPTION	COMMENTS
	F200010001	Coin Meter Assembly	Australia .20 and 1; Includes items 2 and 3
	F200010002	Coin Meter Assembly	100 and 500 yen; Includes items 2 and 3
	F200010003	Coin Meter Assembly	Canada 1.00 and .25; Includes items 2 and 3
	F200010004	Coin Meter Assembly	New Zealand .20 and 1; Includes items 2 and 3
	F200010005P	Coin Meter Assembly	U.S. \$1.00 and \$.25; Includes items 2 and 3
	F200010008	Coin Meter Assembly	.50 and 2.00 euro; Includes items 2 and 3
	F200010010	Coin Meter Assembly	10 and 50 Taiwan; Includes items 2 and 3
1	38725	Coin Identification Paper	
2	N/A	Coin Meter	10 and 50 Taiwan
	N/A	Coin Meter	Belgium 5 and 20 franc
	N/A	Coin Meter	Denmark 1 and 5 krone
	N/A	Coin Meter	Denmark 5 and 10 krone
	38472	Coin Drop Assembly	United Kingdom 20 pence and 1 pound
	N/A	Coin Meter	.20 and .50 euro
	210195	Coin Drop Assembly	.20 and 1.00 euro
	210196	Coin Drop Assembly	.50 and 1.00 euro
	N/A	Coin Meter	2 and 5 franc
	N/A	Coin Meter	2 and 10 franc
	39157	Coin Drop Assembly	Israel 1 and 5 shekel
	38521	Coin Drop Assembly	Korea 100 and 500 won
	N/A	Coin Meter	Spain 100 and 500 peseta
	N/A	Coin Drop Assembly	Australia .20 and 1
	N/A	Coin Drop Assembly	Japan 100 and 500 yen
	N/A	Coin Drop Assembly	Canada 1.00 and .25
	N/A	Coin Drop Assembly	New Zealand .20 and 1
	70256402P	Coin Drop	U.S. \$1.00 and \$.25
	F0160737-00	Coin Meter	.50 and 2.00 euro
	70281102	Coin Drop Assembly	10 and 50 Taiwan dollar
	N/A	Coin Meter	Taiwan 5 and 10 dollar
3	685846	Nut	
4	200674P	Opto Coupler	
5	70058501	Pop Rivet	

N/A = Part no longer available

Electronic Coin Meter Assembly



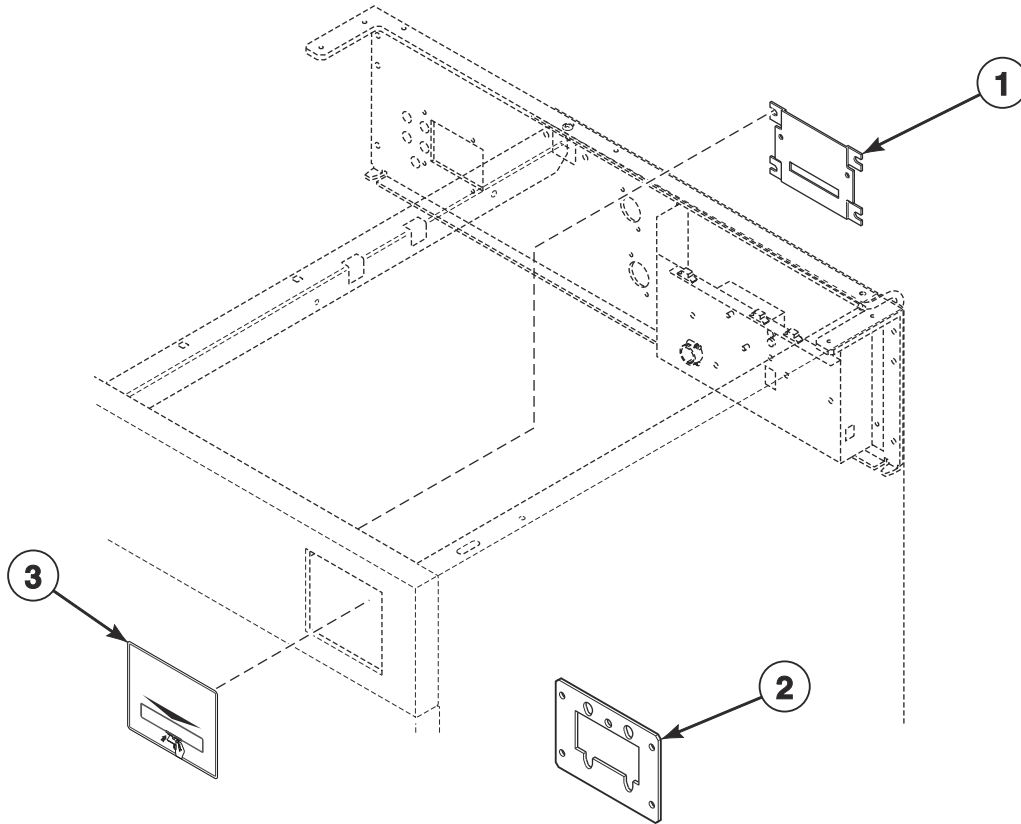
CHM3089P_F8596901

Electronic Coin Meter Assembly

REF	PART NO.	DESCRIPTION	COMMENTS
	CK500	Electronic Coin Drop Kit	Includes item 2
1	38725	Coin Identification Paper	
2	F200021600P	Coin Meter Assembly	U.S., Canada, Japan and Taiwan; Includes items 3 and 4; Requires CK500 Electronic Coin Drop Kit for installation
3	685846	Nut	
4	70294101P	Electronic Coin Drop Assembly	U.S., Canada, Japan and Taiwan
	70513311	Electronic Coin Drop Assembly	China, Russia and Malaysia; Includes items 3 and 4; Requires CK500 Electronic Coin Drop Kit for installation
	CK095	Electronic Coin Drop Kit	U.S., Canada, Japan and Taiwan; Includes item 1; Requires CK500 Electronic Coin Drop Kit for installation
	CK115	Electronic Coin Drop Kit	U.S. and Canada; Includes item 1; Requires CK500 Electronic Coin Drop Kit for installation
	CK113	Electronic Coin Drop Kit	Japan and Taiwan; Includes item 1; Requires CK500 Electronic Coin Drop Kit for installation
	CK099	Electronic Coin Drop Kit	Australia, New Zealand, Hong Kong, South Korea and Malaysia, United Kingdom and Euro; Includes item 1; Requires CK500 Electronic Coin Drop Kit for installation
	70294103P	Electronic Coin Drop Assembly	United Kingdom and Euro
	CK100	Electronic Coin Drop Kit	United Kingdom and Euro; Includes item 1; Requires CK500 Electronic Coin Drop Kit for installation
	70294104	Electronic Coin Drop Assembly	Denmark, Norway and Euro
	CK101	Electronic Coin Drop Kit	Denmark, Norway and Euro; Includes item 1; Requires CK500 Electronic Coin Drop Kit for installation
	70294106	Electronic Coin Drop Assembly	U.S., Mexico and Ecuador
	CK110	Electronic Coin Drop Kit	U.S., Mexico and Ecuador; Includes item 1; Requires CK500 Electronic Coin Drop Kit for installation
	70294107	Electronic Coin Drop Assembly	Euro, Latvia and Lithuania
	CK103	Electronic Coin Drop Kit	Euro, Latvia and Lithuania; Includes item 1; Requires CK500 Electronic Coin Drop Kit for installation
	70294109	Electronic Coin Drop Assembly	Singapore, China, Russia and Malaysia
	CK106	Electronic Coin Drop Kit	Singapore, China, Russia and Malaysia; Includes item 1; Requires CK500 Electronic Coin Drop Kit for installation
	70294111	Electronic Coin Drop Assembly	Euro
	CK109	Electronic Coin Drop Kit	Euro; Includes item 1; Requires CK500 Electronic Coin Drop Kit for installation
	70294119	Electronic Coin Drop Assembly	Thailand
	CK119	Electronic Coin Drop Kit	Thailand; Includes item 1; Requires CK500 Electronic Coin Drop Kit for installation
5	F8034701P	Pulse Expander Assembly	
6	70295101	Overlay	Black
	70295301	Overlay	Gray

Card Reader

GY Models

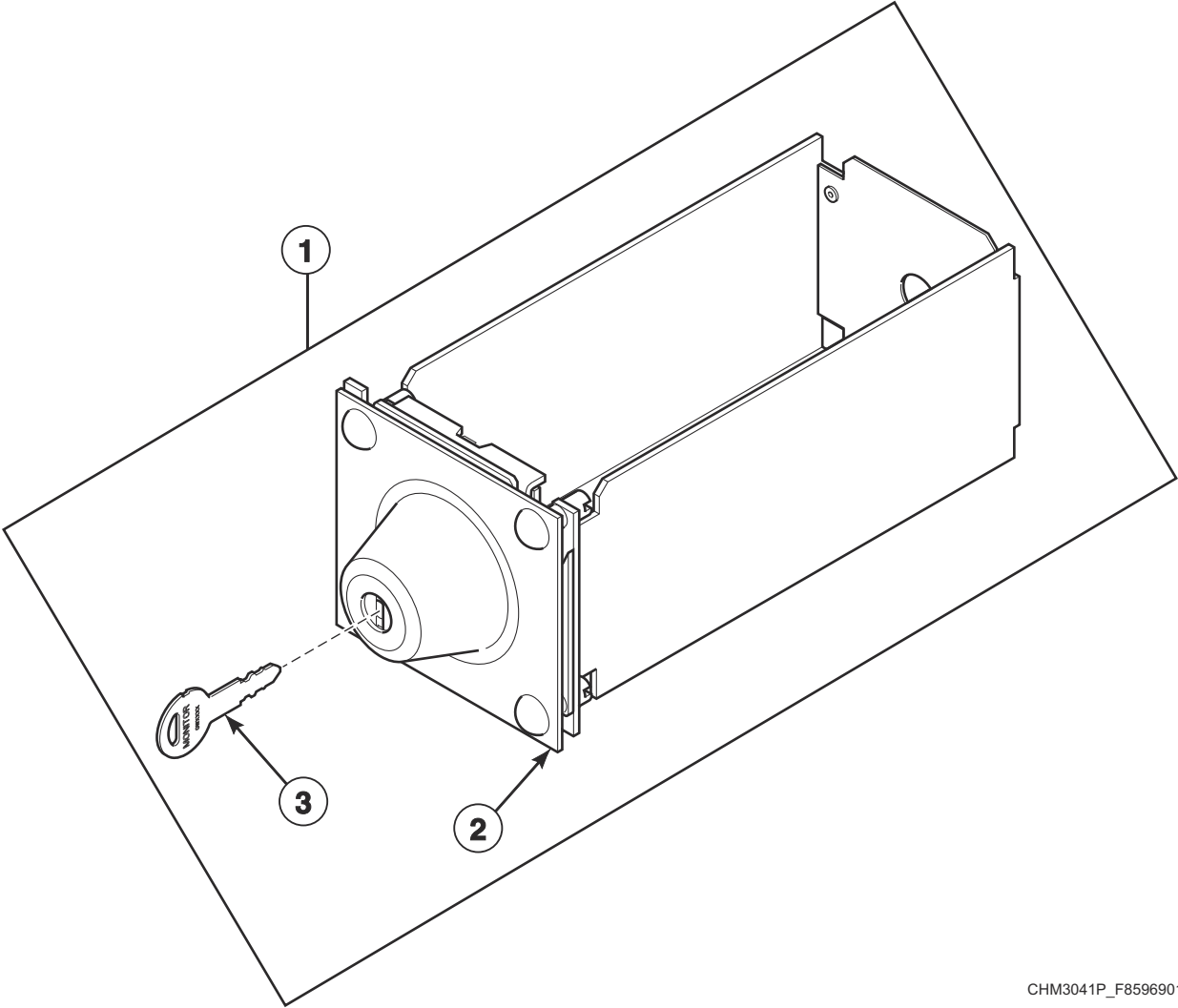


CHM3434P_F8596901

Card Reader

REF	PART NO.	DESCRIPTION	COMMENTS
1	F8201501	Card Plate Assembly	
2	70208801	Mounting Plate	
3	70334201	Card Reader Overlay	SC models
	70334301	Card Reader Overlay	HC models

Optional Coin Box

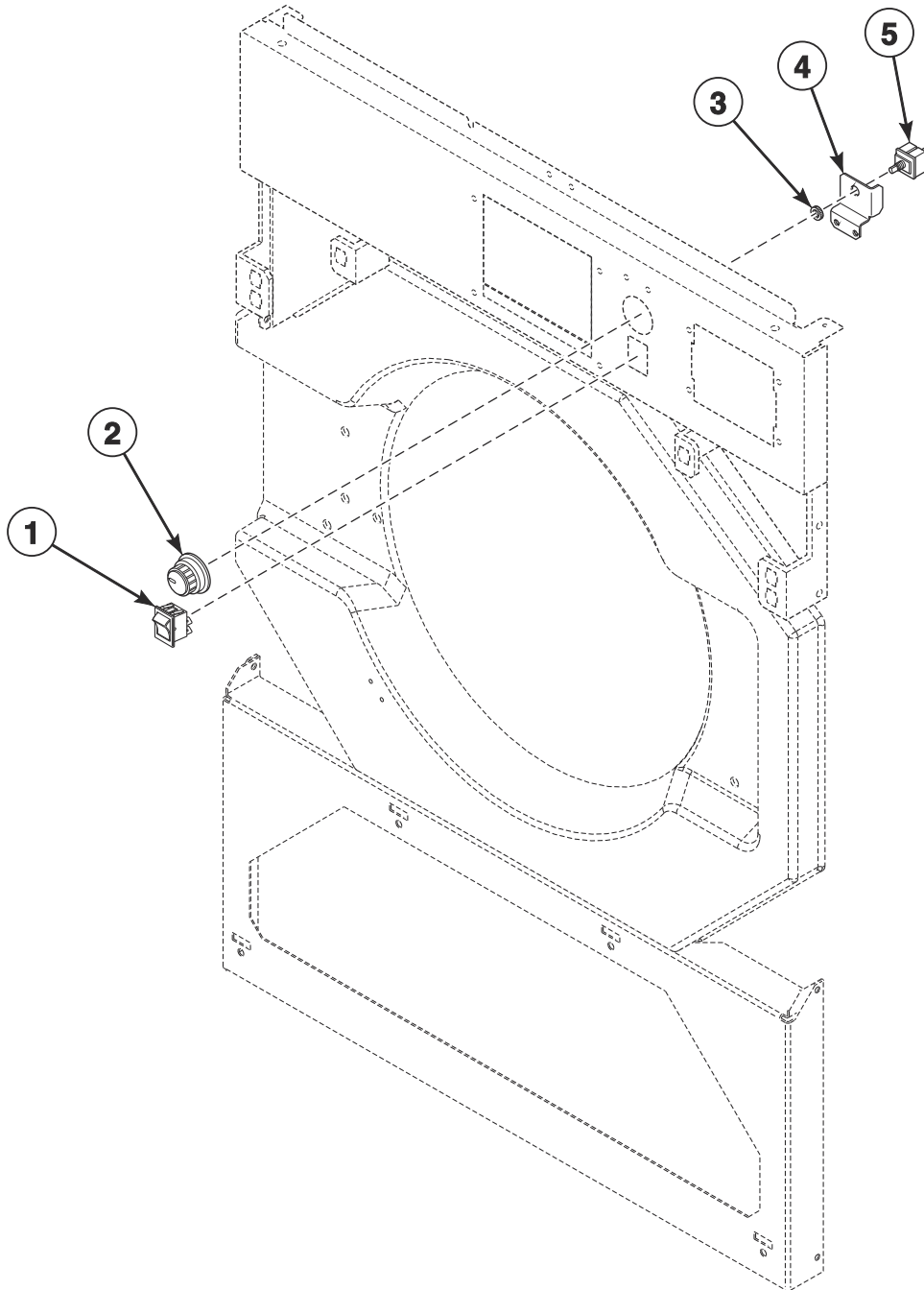


CHM3041P_F8596901

Optional Coin Box

REF	PART NO.	DESCRIPTION	COMMENTS
1	F8182001	Coin Drawer Assembly	40 and 60 pound models
2	F160672	Coin Box	20 and 30 pound models; GW0023
3	F160420	Key	GW0023

Rocker Switch and Temperature Knob

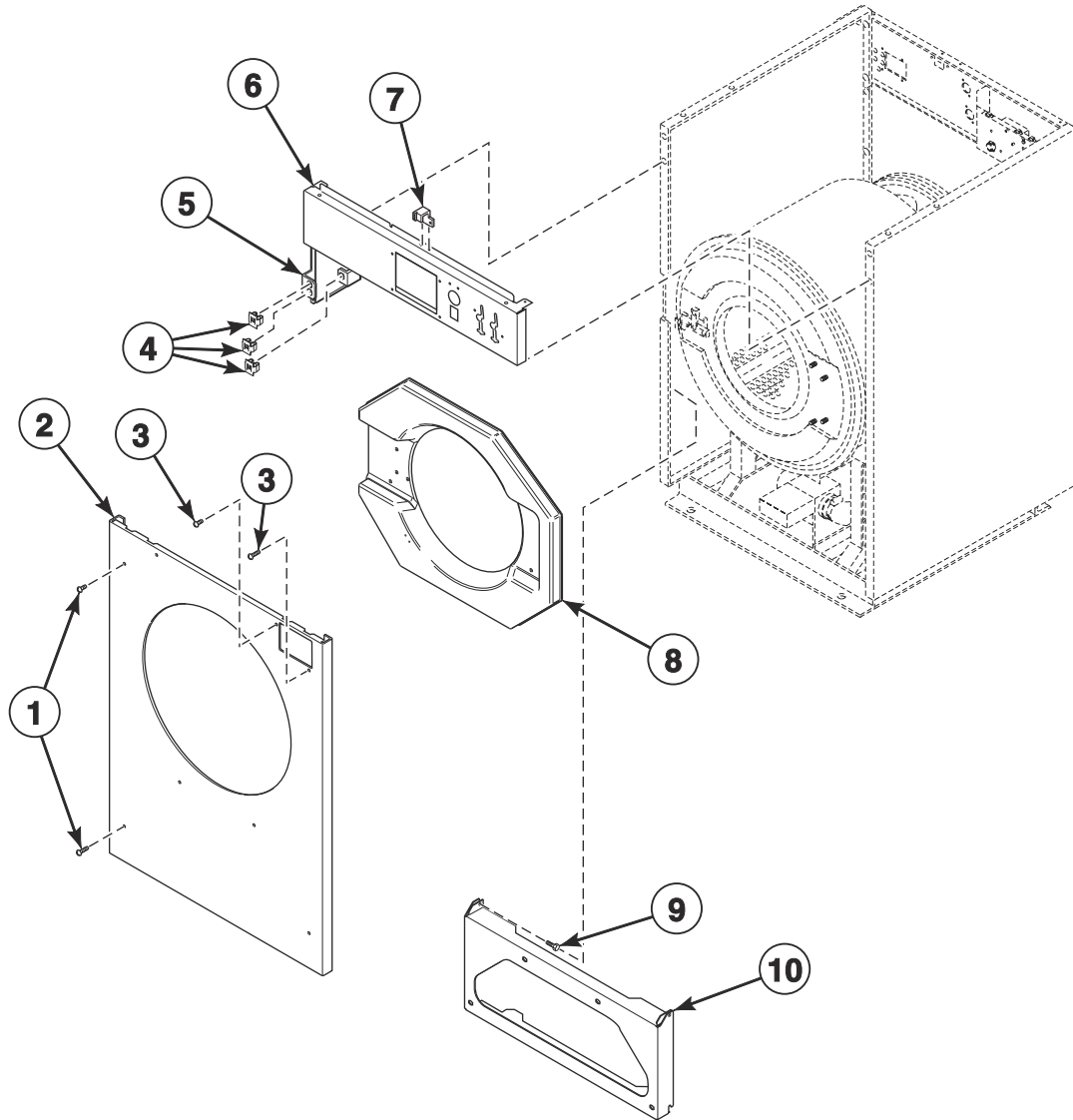


CHM3399P_F8596901

Rocker Switch and Temperature Knob

REF	PART NO.	DESCRIPTION	COMMENTS
1	70455101	Rocker Switch	
2	44104601	Temperature Knob	
3	F431017	Nut	
4	70391701	Temperature Selector Switch Bracket	
5	D511711	Temperature Selector Switch	

Front Panel and Control Panel - Vend Models

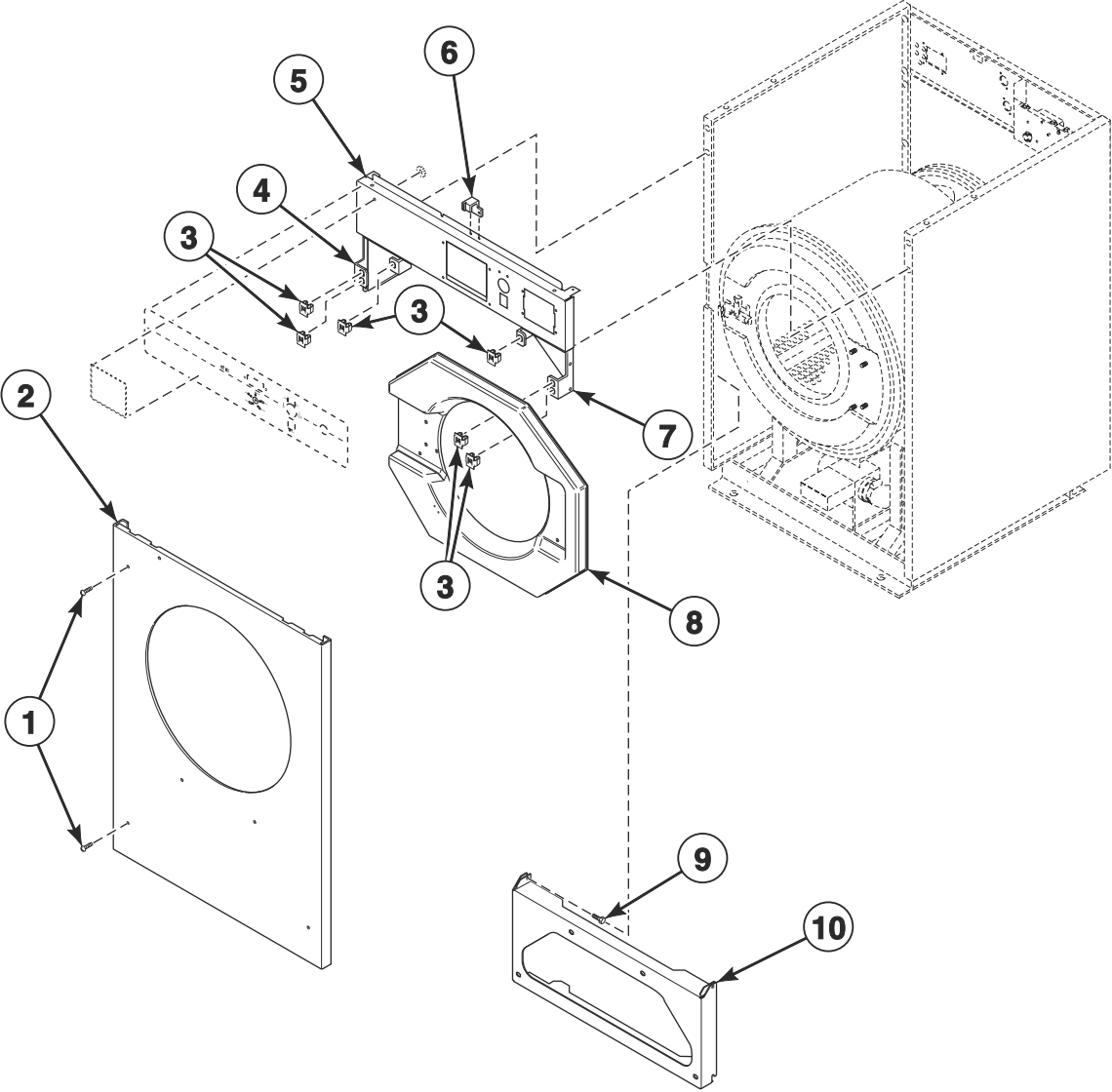


CHM3400P_F8596901

Front Panel and Control Panel - Vend Models

REF	PART NO.	DESCRIPTION	COMMENTS
1	F8117601	Screw	
2	F8171301	Front Panel	Stainless steel; 20 pound models
	F8173001	Front Panel	Stainless steel; 30 pound models
	F8173101P	Front Panel	Stainless steel; 40 pound models
	F8173201P	Front Panel	Stainless steel; 60 pound models
3	801019	Screw	
4	70030501	Expansion Clip	
5	F8186702	Gusset Plate	
6	F8038501	Control Panel Assembly	20 pound models
	F8038601	Control Panel Assembly	30 pound models
	F8038701	Control Panel Assembly	40 pound models
	F8038801	Control Panel Assembly	60 pound models
7	F8201001	Top Cover Latch	
8	F170416-1	Door Bezel	Black; 20 pound SC models
	F170416-2	Door Bezel	Pantone 403; 20 pound HC models; Models through 1/10/10
	F170416-3	Door Bezel	Gray; 20 pound HC models; Models starting 1/11/10
	F170417-1	Door Bezel	Black; 30 pound SC models
	F170417-2	Door Bezel	Pantone 403; 30 pound HC models; Models through 1/10/10
	F170417-3	Door Bezel	Gray; 30 pound HC models; Models starting 1/11/10
	F0170426-00	Door Bezel	Black; 40 and 60 pound SC models
	F0170426-10	Door Bezel	Pantone 403; 40 and 60 pound HC models; Models through 1/10/10
F0170426-30	Door Bezel	Gray; 40 and 60 pound HC models; Models starting 1/11/10	
9	F430174	Screw	
10	F8173801	Front Cabinet Brace	20 pound models
	F8173901	Front Cabinet Brace	30 pound models
	F8174001	Front Cabinet Brace	40 pound models
	F8174101	Lower Cabinet Brace	60 pound models

Front Panel and Control Panel - Card Reader and OPL Models

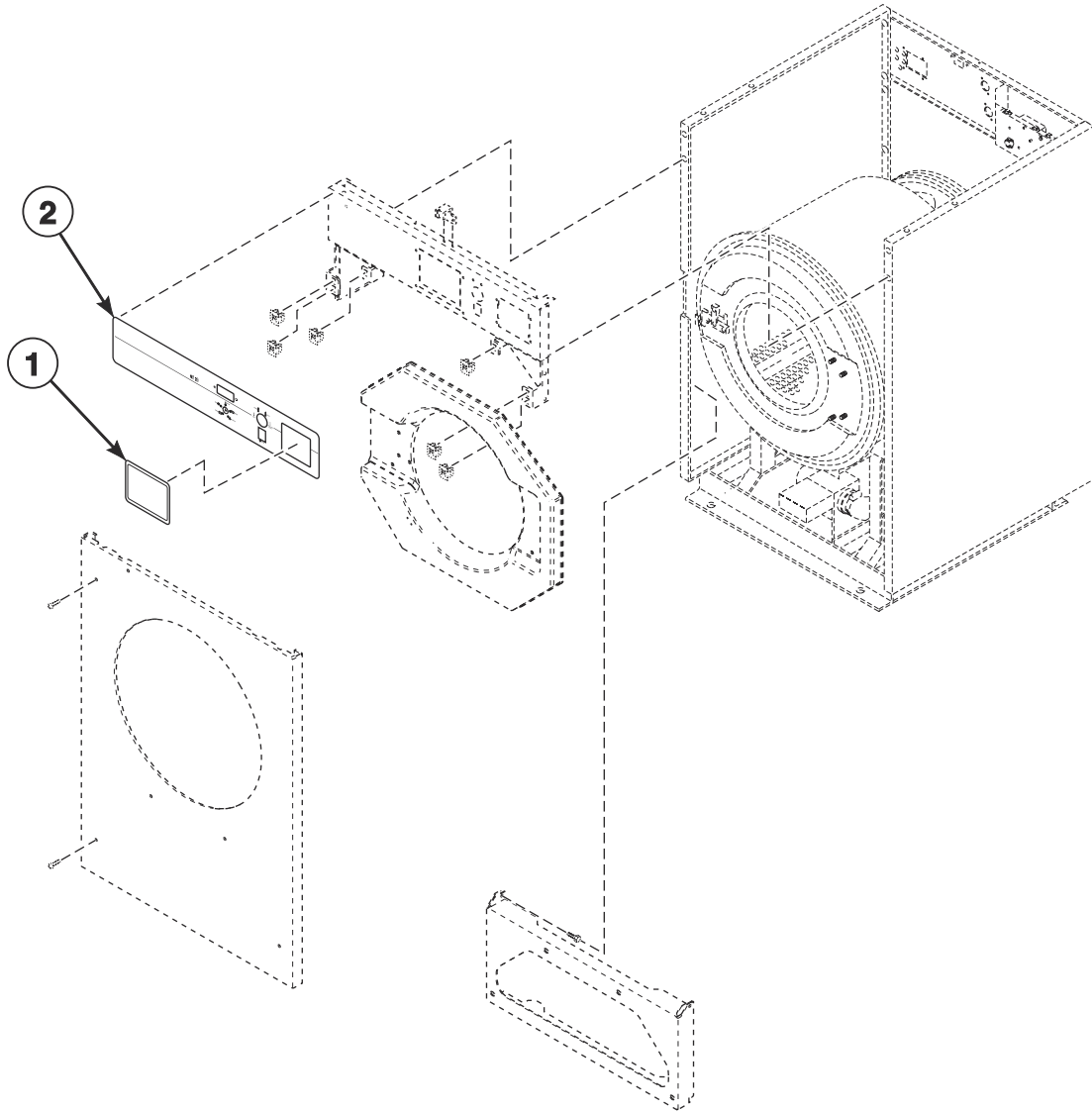


CHM3401P_F8596901

Front Panel and Control Panel - Card Reader and OPL Models

REF	PART NO.	DESCRIPTION	COMMENTS
1	F8117601	Screw	
2	F8171302P	Front Panel	20 pound models; Stainless steel
	F8173002P	Front Panel	30 pound models; Stainless steel
	F8173102P	Front Panel	40 pound models; Stainless steel
	F8173202P	Front Panel	60 pound models; Stainless steel
3	70030501	Expansion Clip	
4	F8186702	Gusset Plate	
5	F8038503	Control Panel Assembly	20 pound models
	F8038603	Control Panel Assembly	30 pound models
	F8038703	Control Panel Assembly	40 pound models
	F8038803	Control Panel Assembly	60 pound models
6	F8201001	Top Cover Latch	
7	F8186701	Gusset Plate	
8	F170416-1	Door Bezel	Black; 20 pound SC and UC models
	F170416-2	Door Bezel	Pantone 403; 20 pound HC models; Models through 1/10/10
	F170416-3	Door Bezel	Gray; 20 pound HC models; Models starting 1/11/10
	F170417-1	Door Bezel	Black; 30 pound SC and UC models
	F170417-2	Door Bezel	Pantone 403; 30 pound HC models; Models through 1/10/10
	F170417-3	Door Bezel	Gray; 30 pound HC models; Models starting 1/11/10
	F0170426-00	Door Bezel	Black; 40 and 60 pound SC and UC models
	F0170426-10	Door Bezel	Pantone 403; 40 and 60 pound HC models; Models through 1/10/10
	F0170426-30	Door Bezel	Gray; 40 and 60 pound HC models; Models starting 1/11/10
9	F430174	Screw	
10	F8173801	Front Cabinet Brace	20 pound models
	F8173901	Front Cabinet Brace	30 pound models
	F8174001	Front Cabinet Brace	40 pound models
	F8174101	Lower Cabinet Brace	60 pound models

Control Panel Overlays

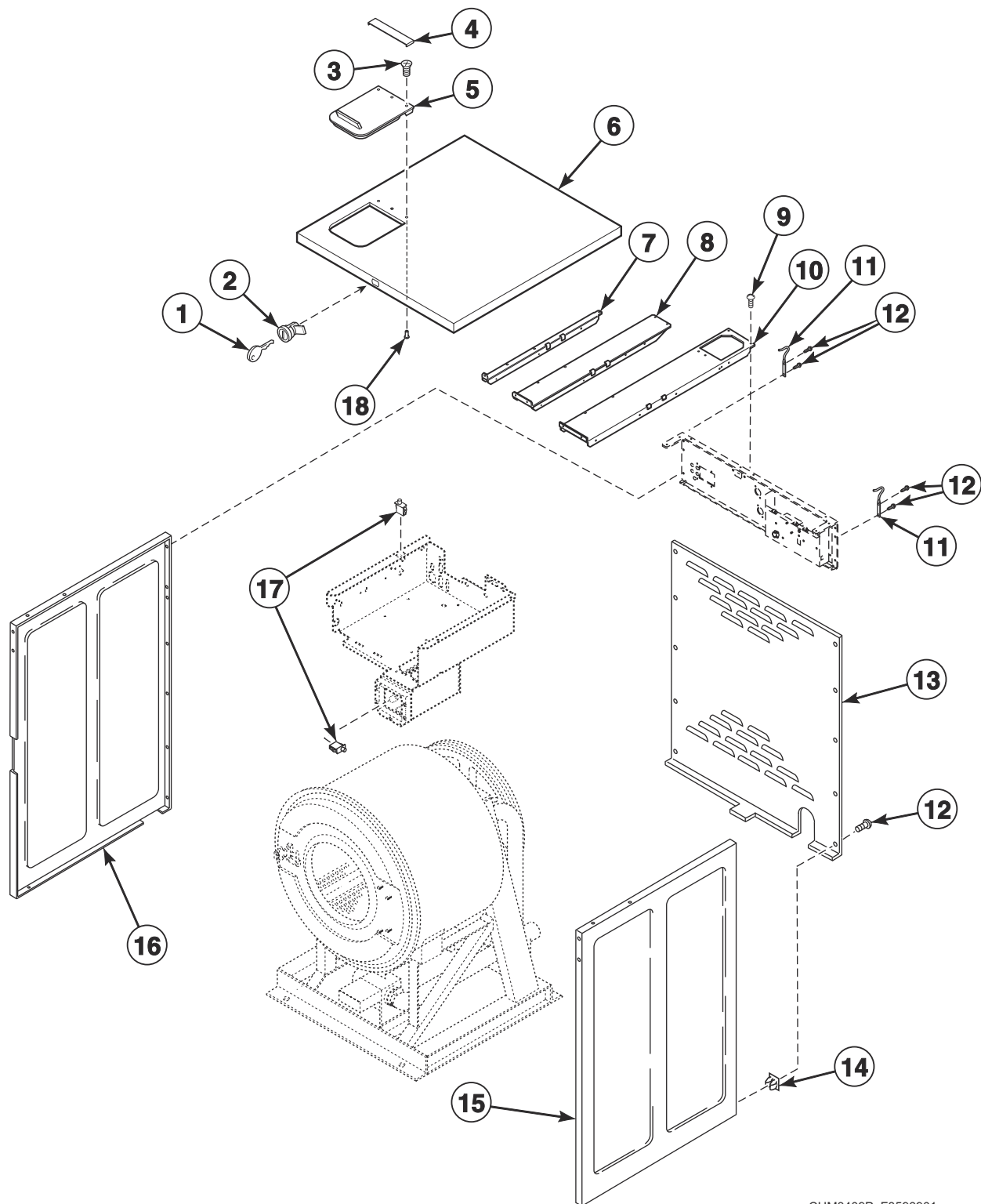


CHM3435P_F8596901

Control Panel Overlays

REF	PART NO.	DESCRIPTION	COMMENTS
1	39564	Coin Drop Overlay	Models SCU020GL2, SCU030GL2, SCU040GL2 and SCU060GL2
	70275402	Cover Overlay	Models HCU020GL2, HCU030GL2, HCU040GL2 and HCU060GL2
2	F8293001	Overlay	Single coin drop; 20 pound SC vend models
	F8293002	Overlay	Dual coin drop; 20 pound SC vend models
	F8293101	Overlay	Single coin drop; 30 pound SC vend models
	F8293102	Overlay	Dual coin drop; 30 pound SC vend models
	F8293201	Overlay	Single coin drop; 40 pound SC vend models
	F8293202	Overlay	Dual coin drop; 40 pound SC vend models
	F8293301	Overlay	Single coin drop; 60 pound SC vend models
	F8293302	Overlay	Dual coin drop; 60 pound SC vend models
	F8218701	Overlay	Single coin drop; 20 pound HC vend models
	F8218702	Overlay	Dual coin drop; 20 pound HC vend models
	F8218801	Overlay	Single coin drop; 30 pound HC vend models
	F8218802	Overlay	Dual coin drop; 30 pound HC vend models
	F8218901	Overlay	Single coin drop; 40 pound HC vend models
	F8218902	Overlay	Dual coin drop; 40 pound HC vend models
	F8219001	Overlay	Single coin drop; 60 pound HC vend models
	F8219002	Overlay	Dual coin drop; 60 pound HC vend models
	F8219201	Overlay	Models HCL020GN2, HCN020GN2, HCU020GN2 and HCZ020GN2
	F8219301	Overlay	Models HCL030GN2, HCN030GN2, HCU030GN2 and HCZ030GN2
	F8219401	Overlay	Models HCL040GN2, HCN040GN2 and HCU040GN2
	F8219501	Overlay	Models HCL020GNF, HCL030GNF, HCL040GNF, HCL060GN2, HCL060GNF, HCN020GNF, HCN030GNF, HCN040GNF, HCN060GCF, HCN060GN2, HCN060GNF and HCU060GN2
	F8293501	Overlay	20 pound SC OPL models
	F8293601	Overlay	30 pound SC OPL models
	F8293701	Overlay	40 pound SC OPL models
	F8293801	Overlay	60 pound SC OPL models
	F8219701	Overlay	20 pound UC models
	F8219801	Overlay	30 pound UC models
	F8219901	Overlay	40 pound UC models
F8220001	Overlay	60 pound UC models	
F8236801	Control Panel Overlay	Models VCU030GN2, VCU040GN2 and VCU060GN2	

Panels

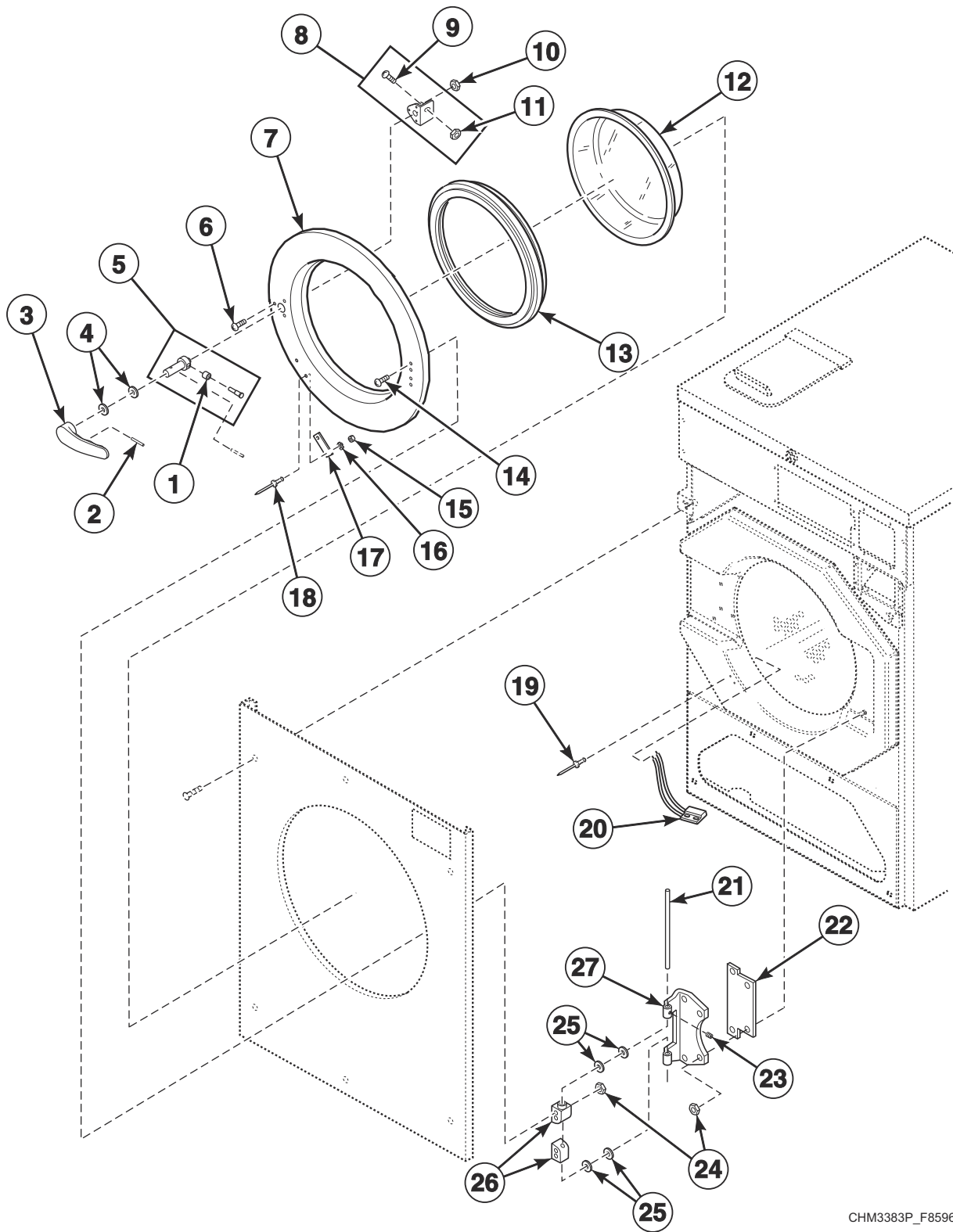


CHM3409P_F8596901

Panels

REF	PART NO.	DESCRIPTION	COMMENTS
1	70155603	Key	RL003
2	44089303P	Panel Lock	
3	F8230601	Screw	
4	F8091701	Lid Clamp	
5	F8048101	Dispenser Lid	Gray
6	F8040201	Top Cover	20 pound models
	F8017401	Top Cover	30 pound models
	F8040301	Top Cover	40 pound models
	F8040401P	Top Cover	60 pound models
7	F8043501	Top Cabinet Brace	20 pound models
8	F8043701	Top Cabinet Brace	30 pound models
9	F430174	Screw	
10	F8043801	Top Cabinet Brace	40 pound models
	F8043901	Top Cabinet Brace	60 pound models
11	F8258601	Top Cover Hinge	
12	F8206901	Screw	
13	F8176201P	Rear Panel	20 pound models
	F8176301	Rear Panel	30 pound models
	F8177701P	Rear Panel	40 pound models
	F8177501P	Rear Panel	60 pound models
14	70030501	Expansion Clip	
15	F8042901P	Right Side Panel	20 pound models; Vinyl
	F8043101P	Right Side Panel	30 pound models; Vinyl
	F8043201P	Right Side Panel	40 pound models; Vinyl
	F8043301P	Right Side Panel	60 pound models; Vinyl
16	F8042902P	Left Side Panel	20 pound models; Vinyl
	F8043102P	Left Side Panel	30 pound models; Vinyl
	F8043202P	Left Side Panel	40 pound models; Vinyl
	F8043302P	Left Side Panel	60 pound models; Vinyl
17	70413301	Pushbutton Switch	
18	F8230501	Bolt	

Door - 20 Pound Models

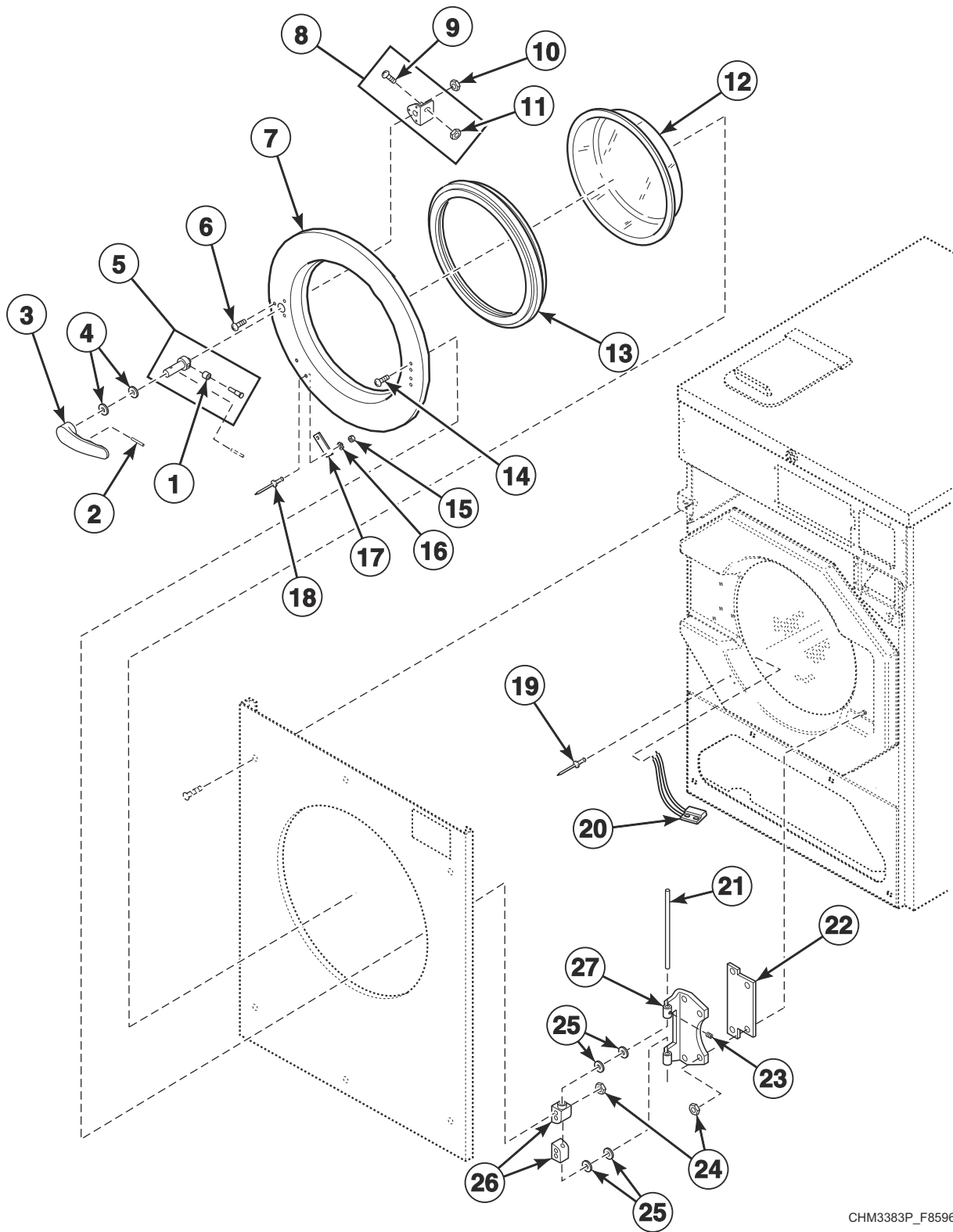


CHM3383P_F8596901

Door - 20 Pound Models

REF	PART NO.	DESCRIPTION	COMMENTS
	F8187202	Door Assembly	SC and UC models; Includes items 1-14, 17, 18, 21 and 23-27
	F8187203	Door Assembly	HC models; Includes items 1-14, 17, 18, 21 and 23-27
1	F8221701	Bearing Sleeve	
2	F431222	Spring Pin	
3	F8199501	Door Handle	HCL, HCN, HCU and HCZ models; Gray
	F8199401P	Door Handle	All other models; Black
4	F431916	Washer	
5	F8221403	Door Latch Arm Assembly	
6	F8535501	Screw	
7	F0602431-02	Door	
8	F8567501	Door Handle Spacer Kit	Includes items 9 and 11
9	F430532	Screw	
10	F430232	Nut	
11	F431041	Nut	
12	F290205P	Door Glass Kit	SC and UC models
	F8341701	Door Glass	HC models
13	F200000202	Door Gasket	SC and UC models; Black
	F200000200	Door Gasket	HC models; Gray
14	F430974	Bolt	
15	F431022	Nut	
16	F431113	Washer	
17	F8390801	Magnet	
18	F431223	Pop Rivet	
19	F8245101	Blind Rivet	
20	F8066802	Reed Switch Assembly	
21	F602813-2	Rod	
22	F200131000P	Door Hinge Shim Kit	
23	F430536	Screw	
24	F430215	Nut	
25	F431929	Washer	
26	F150271	Door Mount	
27	F190216P	Door Hinge	

Door - 30 Pound Models

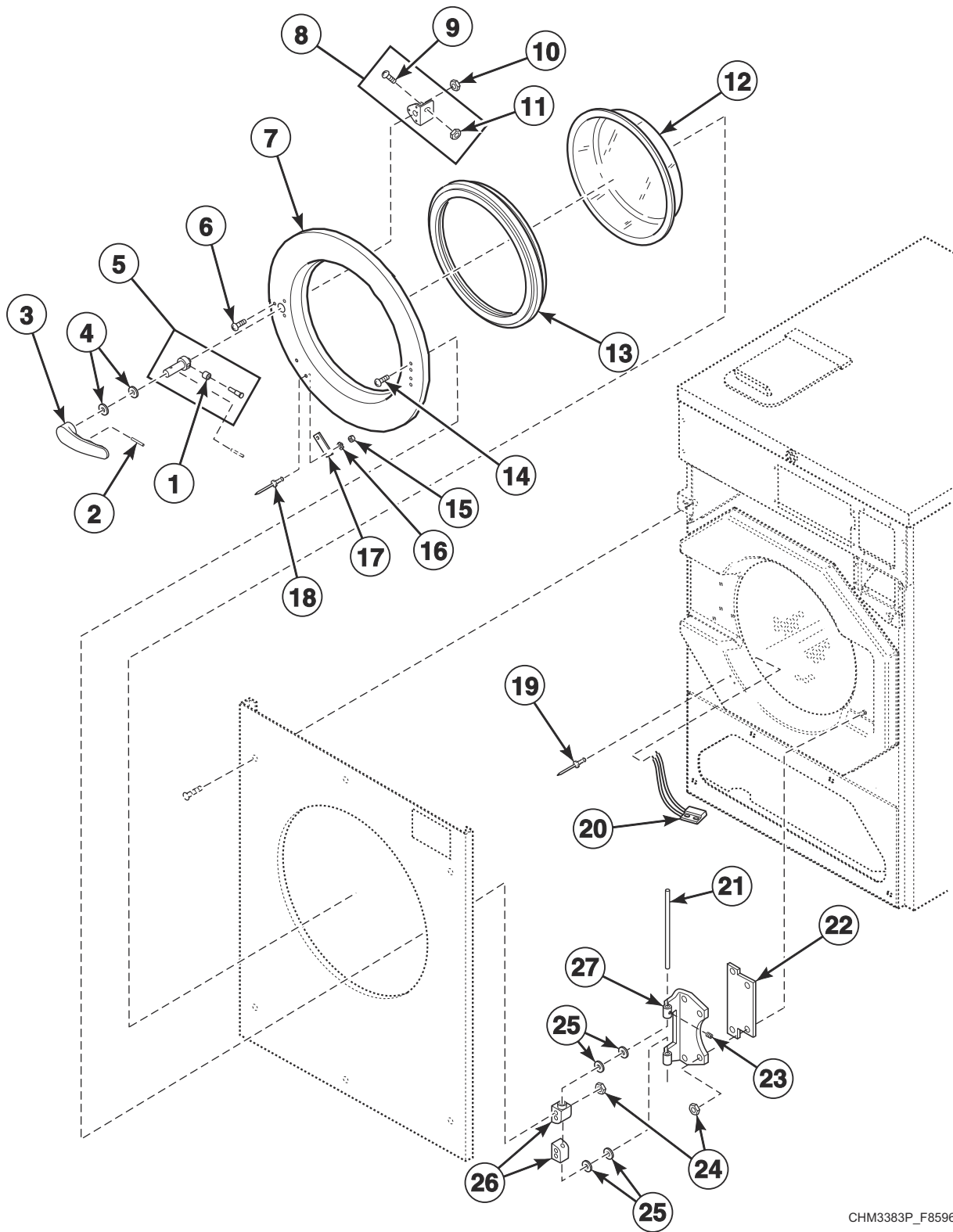


CHM3383P_F8596901

Door - 30 Pound Models

REF	PART NO.	DESCRIPTION	COMMENTS
	F8187302	Door Assembly	SC and UC models; Includes items 1-14, 17, 18, 21 and 23-27; Black
	F8187303	Door Assembly	HC models; Includes items 1-14, 17, 18, 21 and 23-27
1	F8221701	Bearing Sleeve	
2	F431222	Spring Pin	
3	F8199501	Door Handle	HC models; Gray
	F8199401P	Door Handle	All other models; Black
4	F431916	Washer	
5	F8221403	Door Latch Arm Assembly	
6	F8535501	Screw	
7	F0602837-02	Door	
8	F8567501	Door Handle Spacer Kit	Includes items 9 and 11
9	F430533	Screw	
10	F430232	Nut	
11	F431041	Nut	
12	F8485301P	Door Glass	SC and UC models; HC models through 1/10/2010
	F8485302	Door Glass	HC models; Models starting 1/11/2010
13	F8111601	Door Gasket	HC models; Gray
	F8111602	Door Gasket	All other models; Black
14	F430974	Bolt	
15	F431022	Nut	
16	F431113	Washer	
17	F8390801	Magnet	
18	F431223	Pop Rivet	
19	F8245101	Blind Rivet	
20	F8066802	Reed Switch Assembly	
21	F602813-2	Rod	
22	F200131000P	Door Hinge Shim Kit	
23	F430536	Screw	
24	F430215	Nut	
25	F431929	Washer	
26	F150271	Door Mount	
27	F190216P	Door Hinge	

Door - 40 and 60 Pound Models

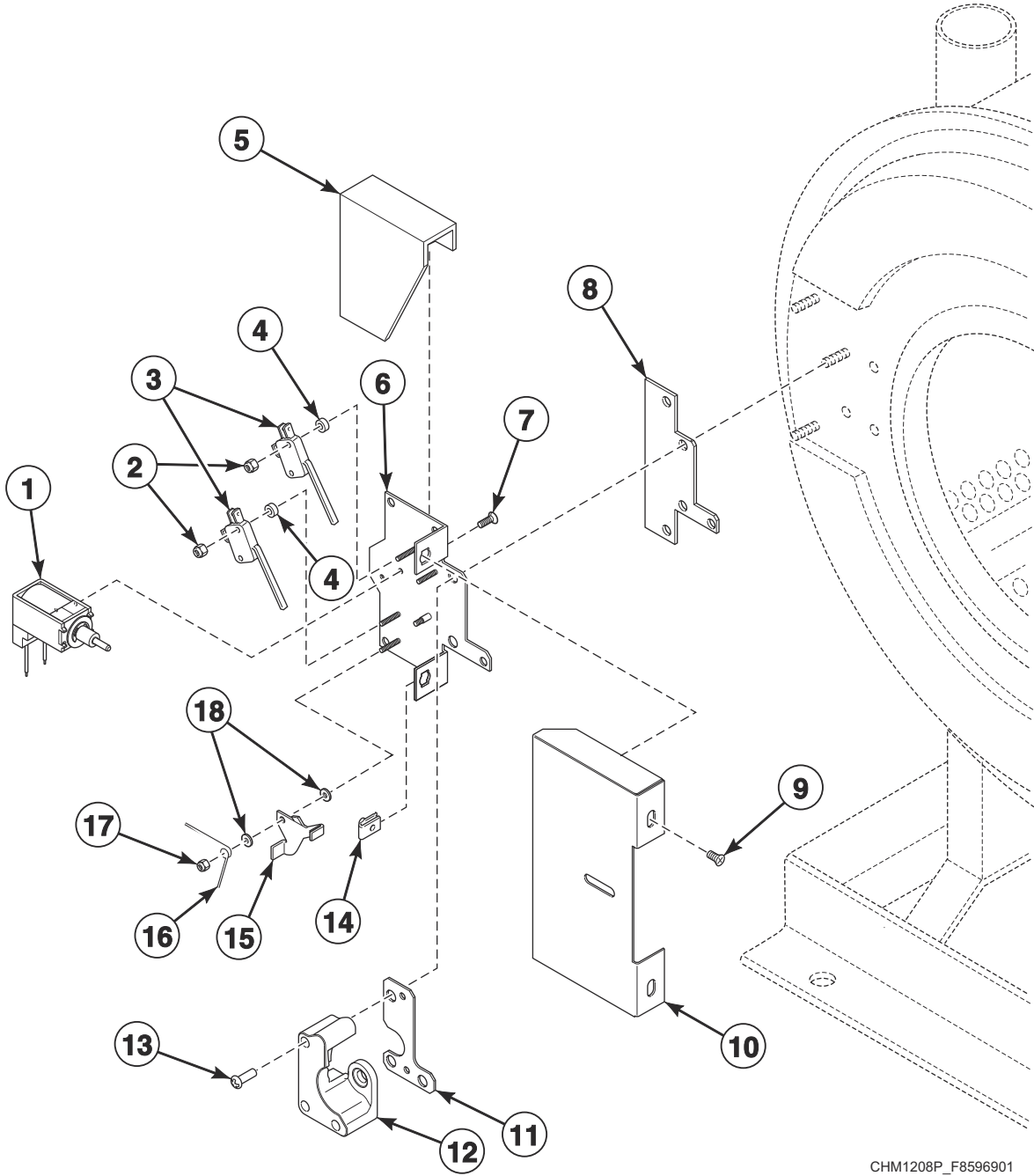


CHM3383P_F8596901

Door - 40 and 60 Pound Models

REF	PART NO.	DESCRIPTION	COMMENTS
	F8187402	Door Assembly	SC and UC models; Includes items 1-14, 17, 18, 21 and 23-27; Black
	F8187403	Door Assembly	HC models; Includes items 1-14, 17, 18, 21 and 23-27
1	F8221701	Bearing Sleeve	
2	F431222	Spring Pin	
3	F8199501	Door Handle	HC models; Gray
	F8199401P	Door Handle	All other models; Black
4	F431916	Washer	
5	F8221403	Door Latch Arm Assembly	
6	F8535501	Screw	
7	F602842-2	Door	
8	F8567501	Door Handle Spacer Kit	Includes items 9 and 11
9	F430533	Screw	
10	F430232	Nut	
11	F431041	Nut	
12	F8485401P	Door Glass	SC and UC models; HC models through 1/10/2010
	F8485405	Door Glass	HC models; Models starting 1/11/2010
13	F170124	Door Gasket	HC models; Gray
	F8111502	Door Gasket	SC and UC models; Black
14	F430974	Bolt	
15	F431022	Nut	
16	F431113	Washer	
17	F8390801	Magnet	
18	F431223	Pop Rivet	
19	F8245101	Blind Rivet	
20	F8066802	Reed Switch Assembly	
21	F602813-3	Rod	40 pound models
22	F200131000P	Door Hinge Shim Kit	
23	F430536	Screw	
24	F430215	Nut	
25	F431929	Washer	
26	F150271	Door Mount	
27	F190216P	Door Hinge	

Door Lock

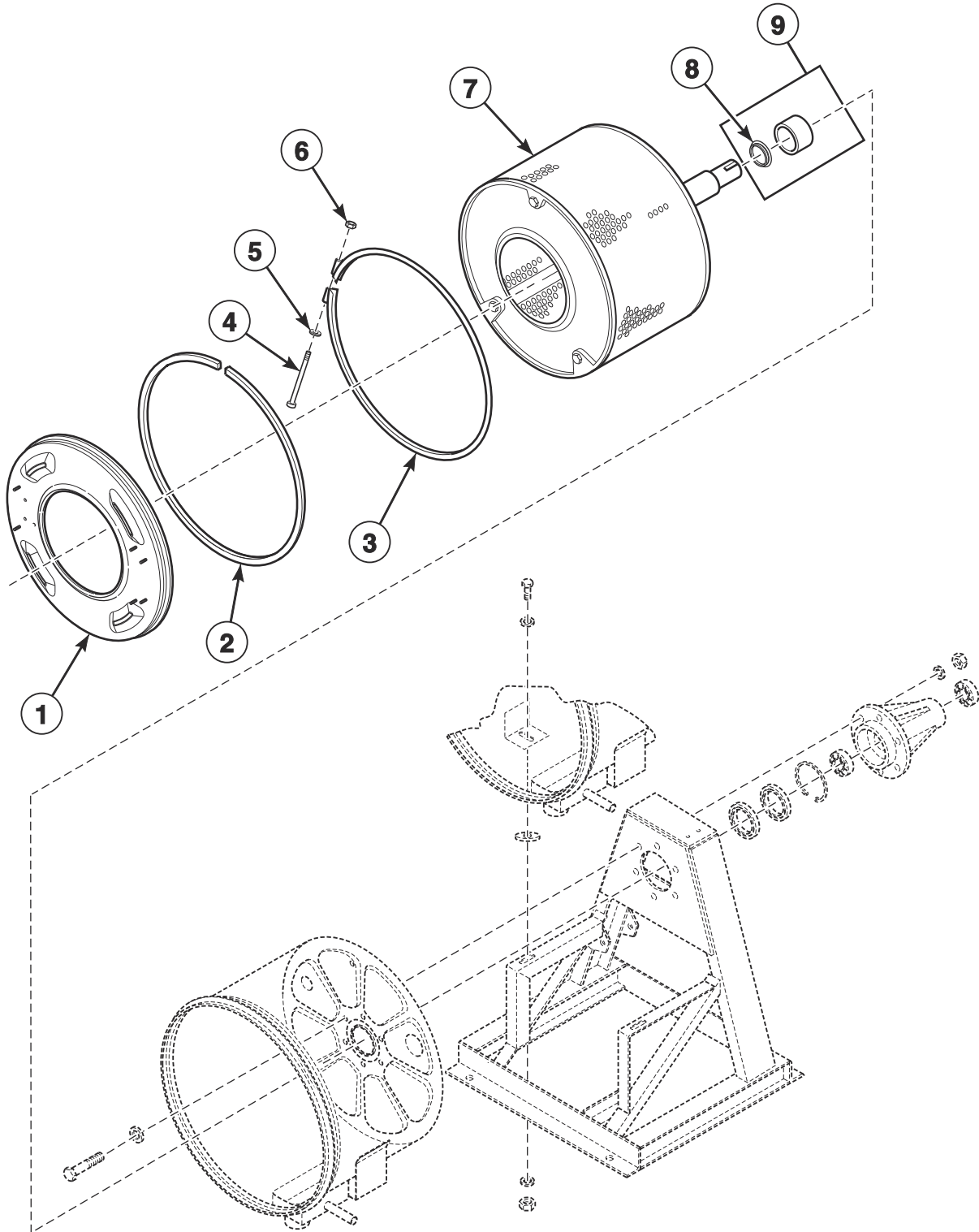


CHM1208P_F8596901

Door Lock

REF	PART NO.	DESCRIPTION	COMMENTS
	F8626501	Door Lock Assembly Kit	Includes F8339902 External Door Lock Harness; Models through 10/31/2010
	F8340501	Door Lock Assembly	Includes F8340001 External Door Lock Harness; Models starting 11/1/2010
	F977P3	Door Lock Solenoid Replacement Kit	Includes item 1
	F8340001	External Door Lock Harness	Models starting 11/1/2010
1	F8630601	Solenoid	Includes F8224201 Solenoid; Models through 10/31/2010 order F977P3 Door Lock Solenoid Replacement Kit
2	F430225	Nut	
3	F200203200	Door Lock Microswitch	
4	F320200	Door Lock Splash Shield	
5	F431901	Spacer	
6	F8223202	Door Lock Plate Assembly	
7	F430977	Screw	
8	F8059701	Door Lock Plate Shim	Models through 9/25/2009
	F8344401	Door Lock Plate Shim	Models starting 9/26/2009
9	F430956	Screw	
10	F8245001	Door Lock Cover	
11	F8484401	Shim	Models with F8567501 Door Handle Spacer Kit
12	F8223601	Door Lock Catch	Models through 10/31/2010
	F8344501	Door Lock Catch	Models starting 11/1/2010
13	F8270701	Bolt	
14	F430264	Nut	
15	F8223401	Door Lock Switch Lever	
16	F8070301	Torsion/Door Lock Spring	
17	F430232	Nut	
18	F431902	Washer	

Shell Front and Basket

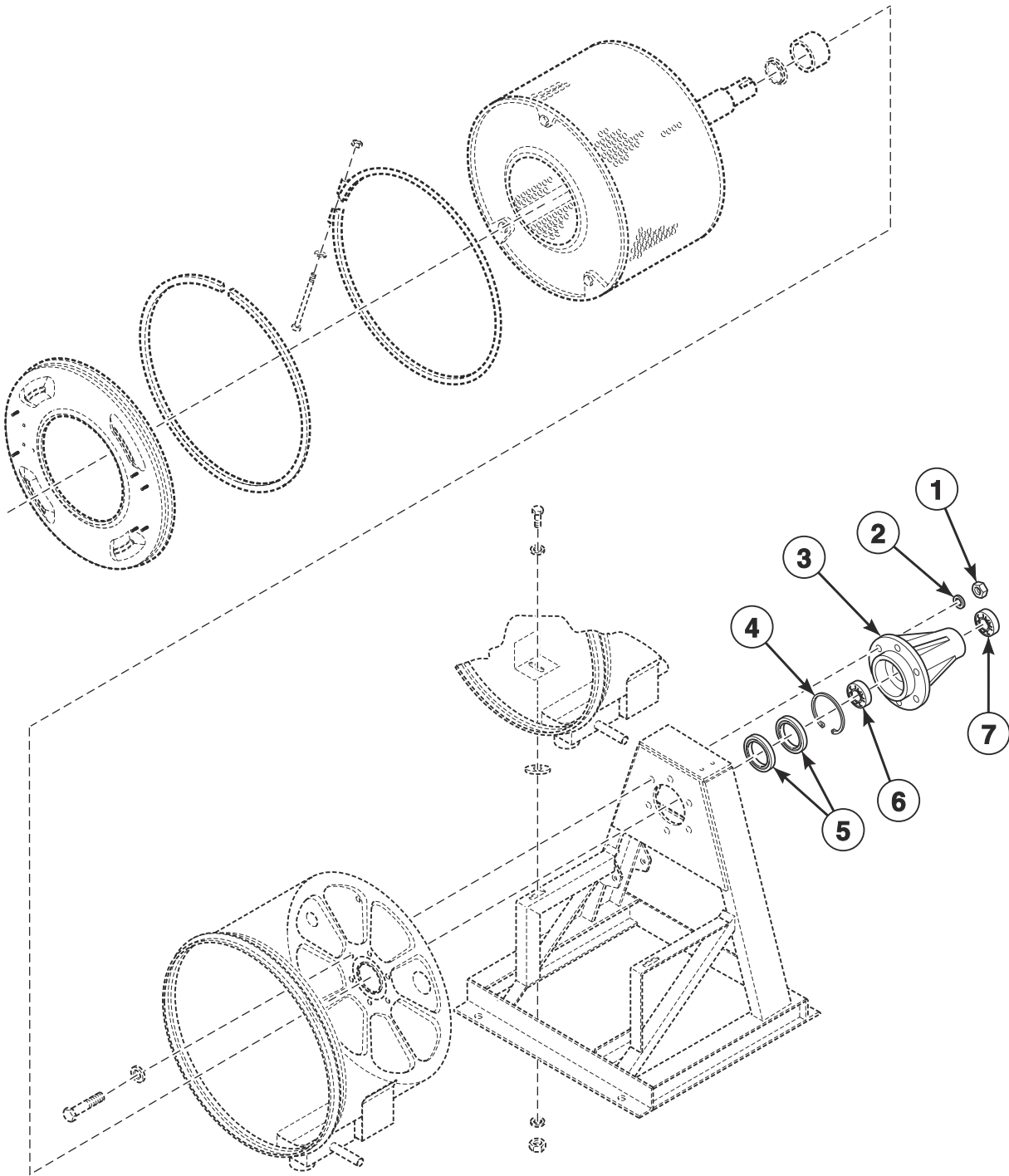


CHM3153P_F8596901

Shell Front and Basket

REF	PART NO.	DESCRIPTION	COMMENTS
	389P4	Basket Tool Kit	Purchase; Requires F460129P Bearing Puller Tool
	390P4-1	Basket Rental Tool Kit	Requires F460129P Bearing Puller Tool
	F460129P	Basket Puller Tool	
1	F8229401	Shell Front Assembly	20 pound models
	F8229501	Shell Front Assembly	30 pound models
	F8229601	Shell Front Assembly	40 pound models
	F8229701	Shell Front Assembly	60 pound models
2	F8513501	Shell Front Gasket Kit	
3	F8537801	Shell Band Kit	20 pound models
	F8388002	Clamp Ring Assembly	30 pound models
	F8537803	Shell Band Kit	40 pound models
	F8537804	Shell Band Kit	60 pound models
4	F430518	Screw	
5	F430317	Washer	
6	F430215	Nut	
7	F935P3	Pressfit Upgrade Kit	20 pound models; Includes items 8 and 9, F8347801 Basket Assembly and F747001 Trunnion Kit; Models through 3/31/10
	F8391301P	Basket Assembly	20 pound models; Includes items 8 and 9; Models that have been upgraded with F935P3 Pressfit Upgrade Kit or models starting 4/1/10
	F936P3	Pressfit Upgrade Kit	30 pound models; Includes items 8 and 9, F8347901 Basket Assembly and F747002 Trunnion Kit; Models through 3/31/10
	F8347901P	Basket Assembly	30 pound models; Includes items 8 and 9; Models that have been upgraded with F936P3 Pressfit Upgrade Kit or models starting 4/1/10
	F938P3	Pressfit Upgrade Kit	40 pound models; Includes items 8 and 9, F8336301 Basket Assembly and F747003 Trunnion Kit; Models through 3/31/10
	F8391701P	Basket Assembly	40 pound models; Includes items 8 and 9; Models that have been upgraded with F938P3 Pressfit Upgrade Kit or models starting 4/1/10
	F939P3	Pressfit Upgrade Kit	60 pound models; Includes items 8 and 9, F8336501 Basket Assembly and F747005 Trunnion Kit; Models through 3/31/10
	F8502801P	Basket Assembly	60 pound models; Includes items 8 and 9; Models that have been upgraded with F939P3 Pressfit Upgrade Kit or models starting 4/1/10
8	F8336801	Excluder Seal	20 pound models; Models that have been upgraded with F935P3 Pressfit Upgrade Kit or models starting 4/1/10
	F8336901	Excluder Seal	30 pound models; Models that have been upgraded with F936P3 Pressfit Upgrade Kit or models starting 4/1/10
	F8337001	Excluder Seal	40 pound models; Models that have been upgraded with F938P3 Pressfit Upgrade Kit or models starting 4/1/10
	F8337101	Excluder Seal	60 pound models; Models that have been upgraded with F939P3 Pressfit Upgrade Kit or models starting 4/1/10
9	F8312001P	Shaft Seal Sleeve	20 pound models; Models through 3/31/10
	F8343901P	Shaft Seal Sleeve Kit	20 pound models; Models that have been upgraded with F935P3 Pressfit Upgrade Kit or models starting 4/1/10; Includes item 8
	F8312004P	Shaft Seal Sleeve	30 pound models; Models through 3/31/10
	F8343904P	Shaft Seal Sleeve Kit	30 pound models; Models that have been upgraded with F936P3 Pressfit Upgrade Kit or models starting 4/1/10; Includes item 8
	F8312006P	Shaft Seal Sleeve	40 pound models; Models through 3/31/10
	F8343906P	Shaft Seal Sleeve Kit	40 pound models; Models that have been upgraded with F938P3 Pressfit Upgrade Kit or models starting 4/1/10; Includes item 8
	F8343909P	Shaft Seal Sleeve Kit	60 pound models; Includes item 8

Trunnion

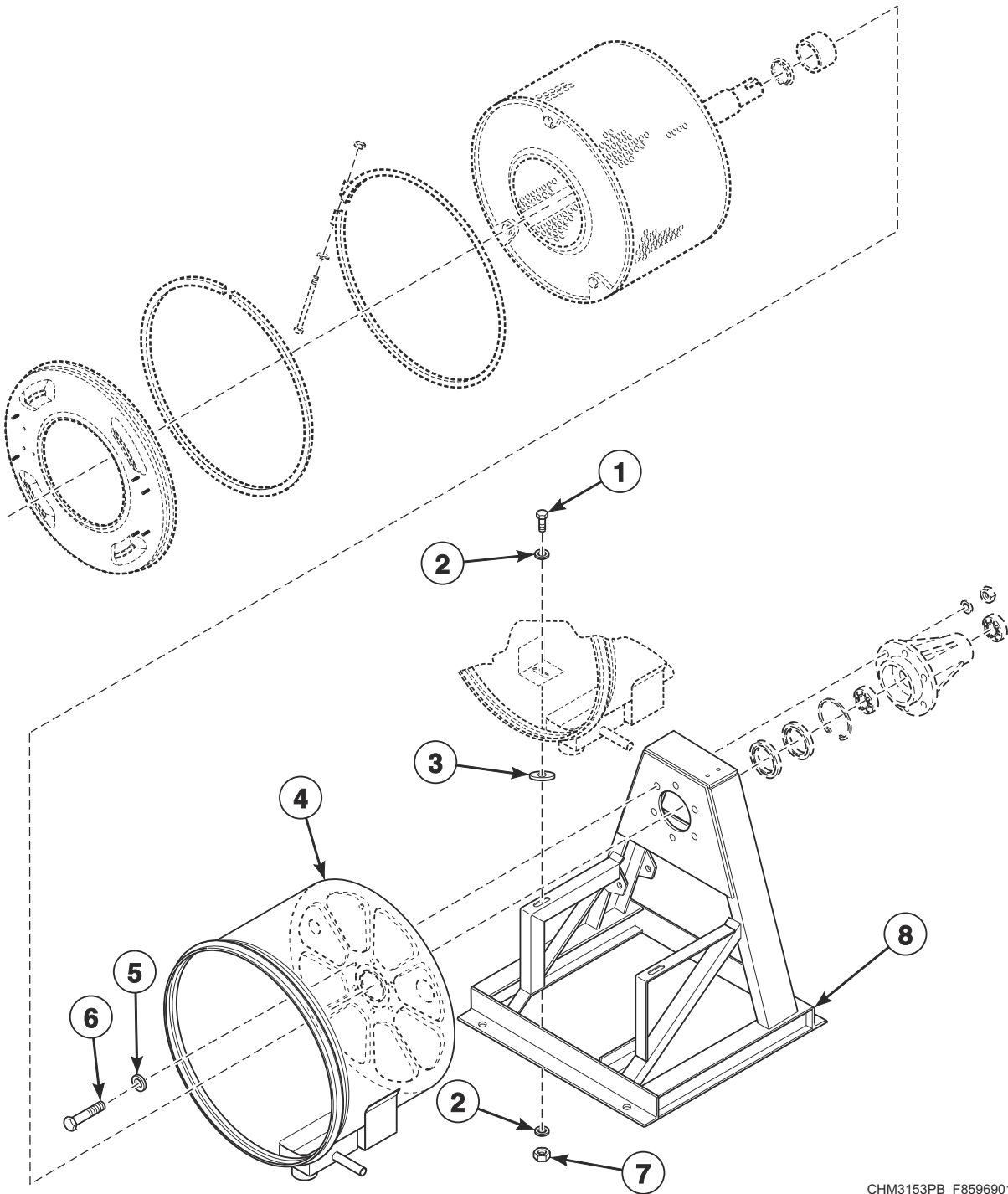


CHM3153PA_F8596901

Trunnion

REF	PART NO.	DESCRIPTION	COMMENTS
1	F430239	Nut	20 pound models
	F430240	Nut	All other models
2	F431128	Washer	20 pound models
	F431131	Washer	All other models
3	F747001	Trunnion Kit	20 pound models; Includes items 1, 2, 4-7, F430949 Screw, F792000 Shell Front Gasket Kit, F812P3 Hardware Kit, F8283401 Adhesive and F8345201 Bearing Housing
	F747002	Trunnion Kit	30 pound models; Includes items 1, 2, 4-7, F430949 Screw, F792000 Shell Front Gasket Kit, F812P3 Hardware Kit, F8283401 Adhesive and F8345101 Bearing Housing
	F747003	Trunnion Kit	40 pound models; Includes items 1, 2, 4-7, F430949 Screw, F792000 Shell Front Gasket Kit, F812P3 Hardware Kit, F8283401 Adhesive and F8335801 Bearing Housing
	F747005	Trunnion Kit	60 pound models; Includes items 1, 2, 4-7, F430949 Screw, F792000 Shell Front Gasket Kit, F812P3 Hardware Kit, F8283401 Adhesive and F8337901 Bearing Housing
4	F8344901	Retaining Ring	20 pound models; Models that have been upgraded with F935P3 Pressfit Upgrade Kit or models starting 4/1/10
	F8345001	Retaining Ring	30 pound models; Models that have been upgraded with F936P3 Pressfit Upgrade Kit or models starting 4/1/10
	F8337801	Retaining Ring	40 pound models; Models that have been upgraded with F938P3 Pressfit Upgrade Kit or models starting 4/1/10
	F8337901	Retaining Ring	60 pound models; Models that have been upgraded with F939P3 Pressfit Upgrade Kit or models starting 4/1/10
5	F8203801	Triple Lip Seal	20 pound models
	F8203802	Triple Lip Seal	30 pound models
	F8203803	Triple Lip Seal	40 pound models
	F8203806	Triple Lip Seal	60 pound models
6	F100137P	Bearing	6308 2RS C3; Front; 20 and 40 pound models
	F100123P	Bearing	6309 2RS C3; Front; 30 pound models
	F100135	Bearing	6313 2RS C3; Front; 60 pound models
7	F100136P	Bearing	6307 2RS C3; Rear; 20 pound models
	F100108	Bearing	6208 2RS C3 Rear; 30 pound models
	F100134	Bearing	6310 2RS C3; Rear; 40 and 60 pound models

Shell and Frame

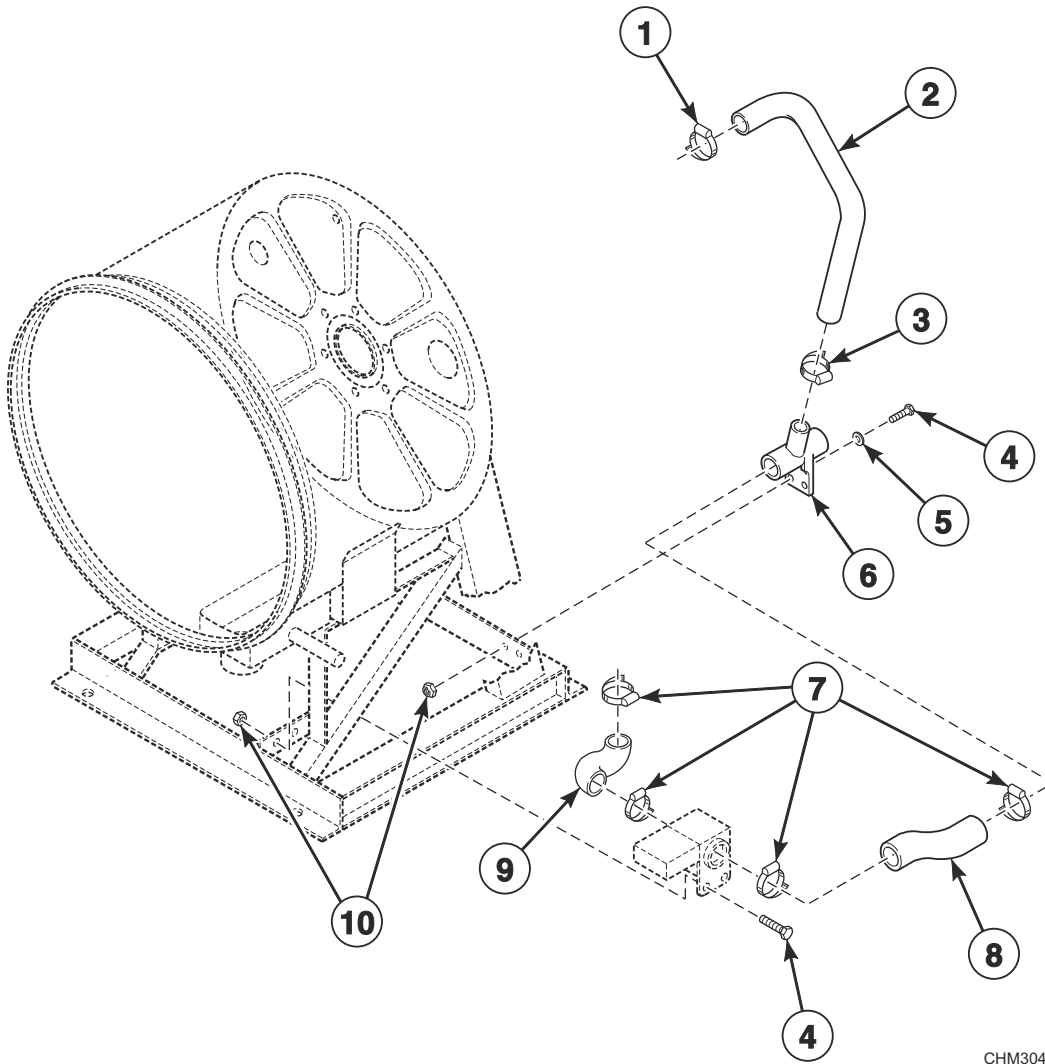


CHM3153PB_F8596901

Shell and Frame

REF	PART NO.	DESCRIPTION	COMMENTS
	1111P	Concrete Kit	5/8 inch
1	F430942	Screw	
2	M400081	Washer	
3	F430303	Washer	
4	F8179201	Shell Weldment	20 pound vend models; Standard
	F8179202	Shell Weldment	20 pound OPL models; Electric and steam heat
	F8179203	Shell Weldment	20 pound OPL models; Standard
	F8179301	Shell Weldment	30 pound vend models; Standard
	F8179302	Shell Weldment	30 pound OPL models; Electric and steam heat
	F8179303	Shell Weldment	30 pound OPL models; Standard
	F8179401	Shell Weldment	40 pound vend models; Standard
	F8179402	Shell Weldment	40 pound OPL models; Electric and steam heat
	F8179403	Shell Weldment	40 pound OPL models; Standard
	F8179501	Shell Weldment	60 pound vend models; Standard
	F8179502	Shell Weldment	60 pound OPL models; Electric and steam heat
	F8179503	Shell Weldment	60 pound OPL models; Standard
5	F431128	Washer	20 pound models
	F431131	Washer	All other models
6	F430949	Screw	20 pound models
	F8442702	Screw	All other models
7	F430218	Nut	
8	F8195901	Frame Weldment	20 pound models
	F8196001	Frame Weldment	30 pound models
	F8196101	Frame Weldment	40 pound models
	F8199101	Frame Weldment	60 pound models

Drain Plumbing

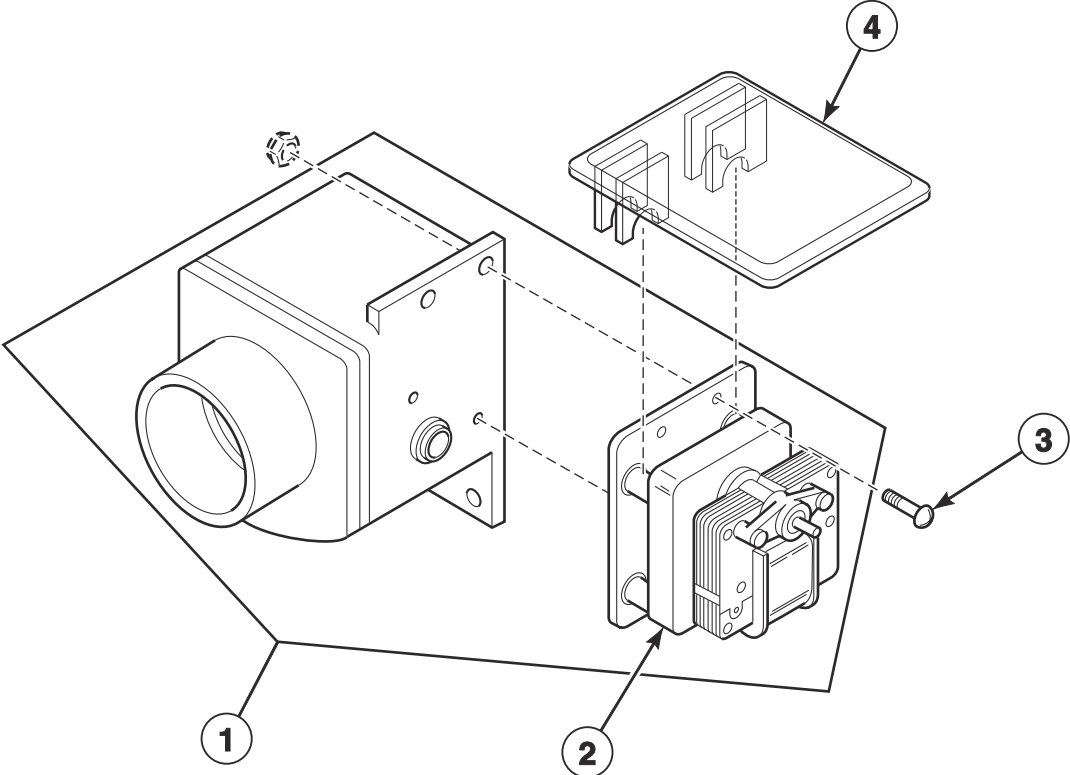


CHM3046P_F8596901

Drain Plumbing

REF	PART NO.	DESCRIPTION	COMMENTS
1	F200213	Hose Clamp	No. 40
2	F150308	Overflow Hose	20 and 30 pound models
	F0200238-00	Overflow Hose	40 pound models
	F8337701	Overflow Hose	40 pound models; Electric heat
	F150417	Overflow Hose	60 pound models
3	F200215	Hose Clamp	40 pound models; No. 28
	F200213	Hose Clamp	All other models; No. 40
4	F430107	Screw	
5	F430317	Washer	
6	F150318	Drain Connect Tee	20 and 30 pound models
	F150398	Drain Tee	40 and 60 pound models
7	F200213	Hose Clamp	20 and 30 pound models; No. 40
	F200201	Hose Clamp	40 and 60 pound models; No. 56
8	F8233101	Drain Hose	Rear; 20 pound models
	F8233102	Drain Hose	Rear; 30 pound models
	F8231901	Drain Hose	Rear; 40 pound models
	F8231902	Drain Hose	Rear; 60 pound models
9	F8233001	Drain Hose	Front; 20 and 30 pound models
	F8232901	Drain Hose	Front; 40 and 60 pound models
10	F430215	Nut	

Drain Valve Assembly - 20 and 30 Pound Models

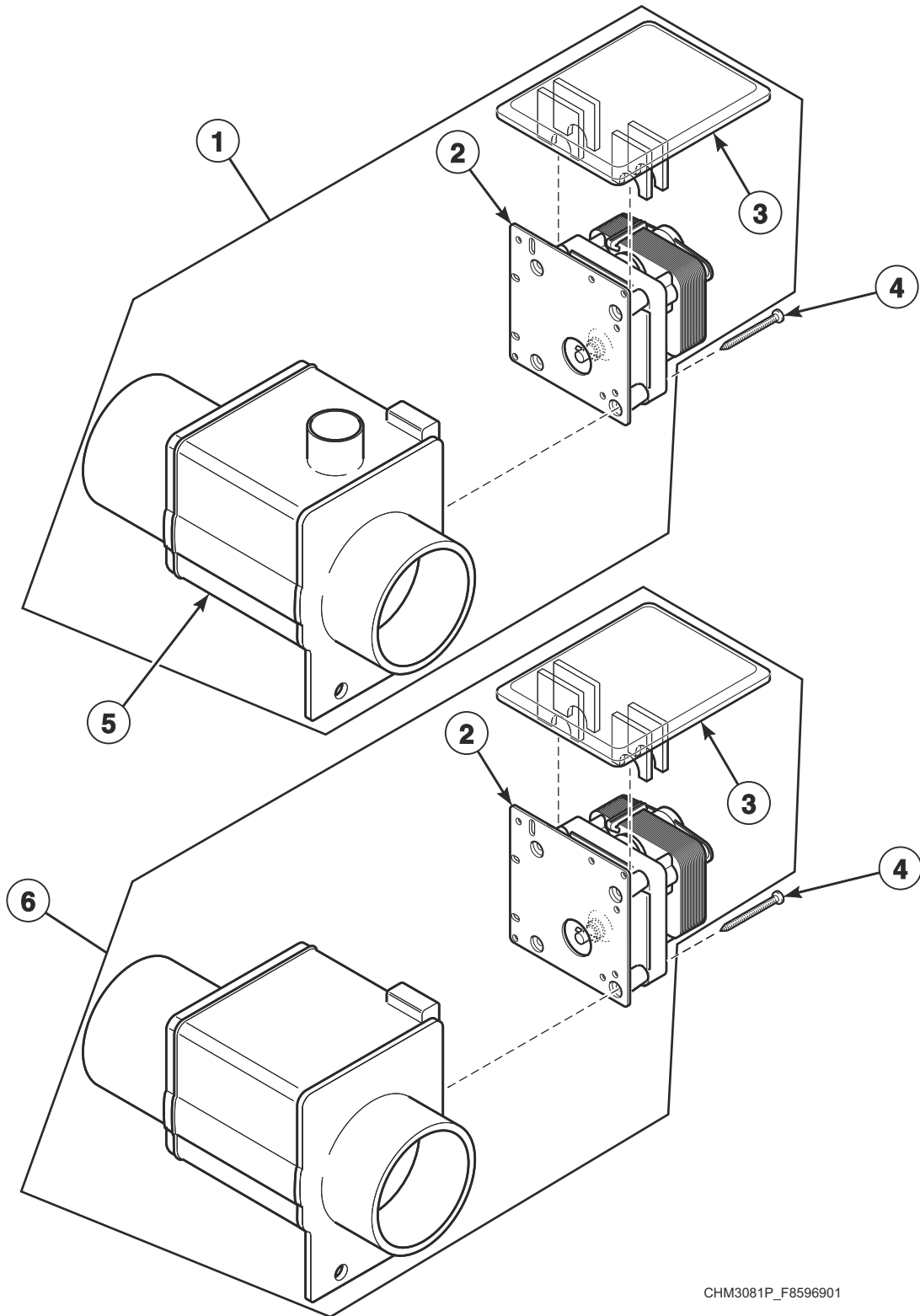


CHM2450P_F8596901

Drain Valve Assembly - 20 and 30 Pound Models

REF	PART NO.	DESCRIPTION	COMMENTS
	F8504601	Spring	Use with item 1
1	803292	Gravity Drain Valve	220 Volt
2	F380933P	Drain Valve Motor	Round shaft; 220 Volt
	F8618901P	Drain Valve Motor	Keyed shaft; 220 Volt
3	F200182700	Bolt	
4	F200133600	Drain Valve Cover	

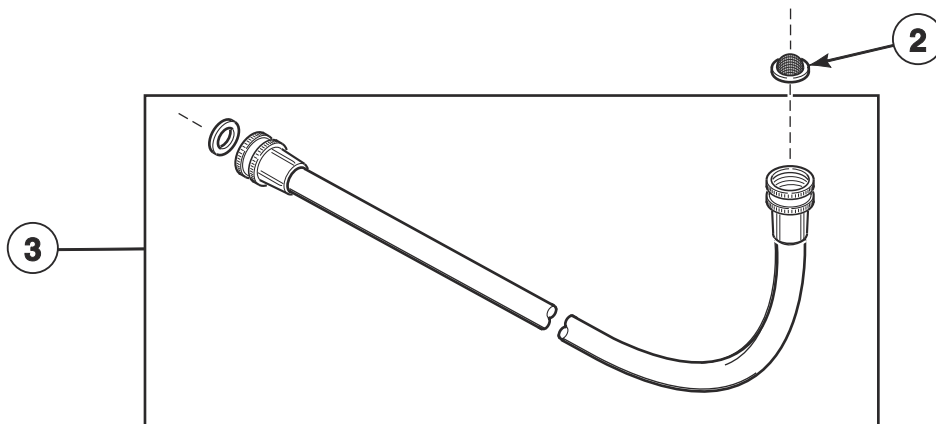
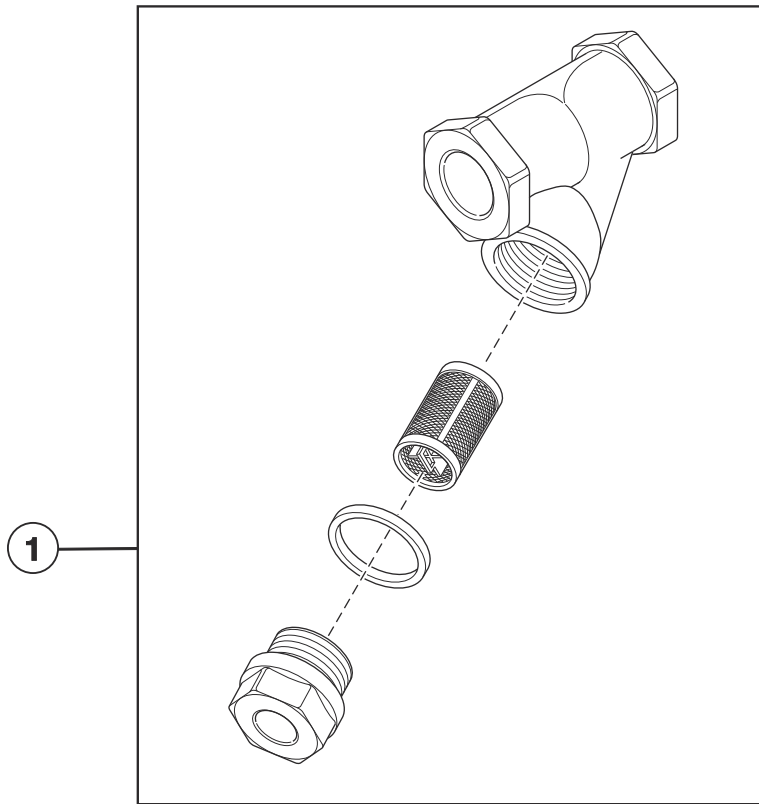
Drain Valve Assembly - 40 and 60 Pound Models



Drain Valve Assembly - 40 and 60 Pound Models

REF	PART NO.	DESCRIPTION	COMMENTS
	F200215	Hose Clamp	No. 28
	F150352	Overflow Plug	
1	F200166400	Drain Valve Kit	220 Volt; Electric and steam heat
2	F380933P	Drain Valve Motor	Round shaft; 220 Volt
	F8618901P	Drain Valve Motor	Keyed shaft; 220 Volt
3	F200133600	Drain Valve Cover	
4	F200182700	Bolt	
5	F8406303	Drain Valve	240 Volt; Electric and steam heat
6	F200166402	Drain Valve Kit	240 Volt

Steam Filter (Optional) and Water Supply Hose

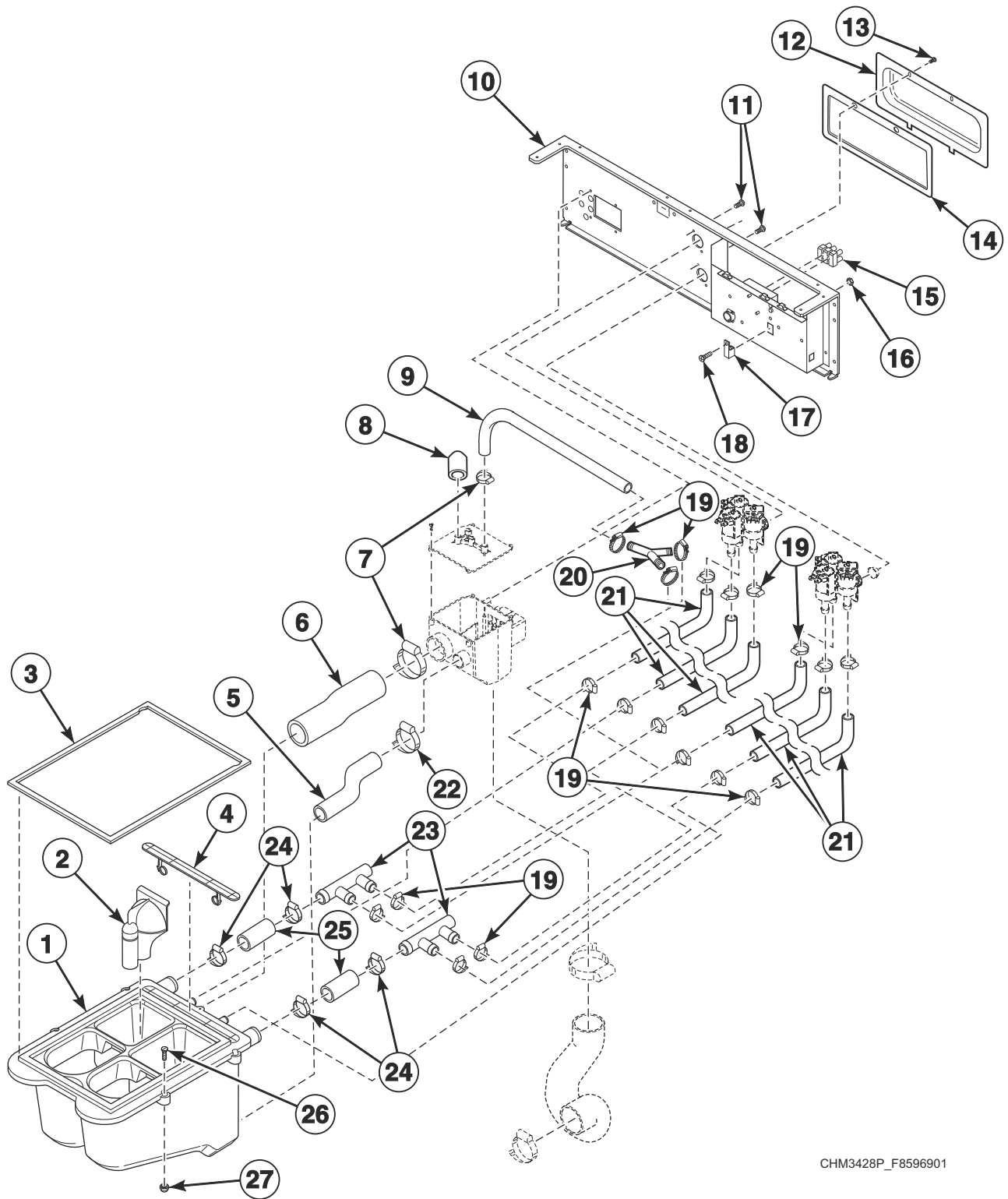


CHM3049P_F8596901

Steam Filter (Optional) and Water Supply Hose

REF	PART NO.	DESCRIPTION	COMMENTS
1	F270307	Steam Filter	1/2 inch
	F270308	Steam Filter	3/4 inch
2	803615	Washer	Filter
3	F200116	Water Hose	3/8 inch; Standard thread
	F200108P	Water Hose	1/2 inch; Standard or metric thread
	F8544601	Fill Hose Kit	Metric thread

Fill Plumbing Assembly (Drawing 1 of 2)

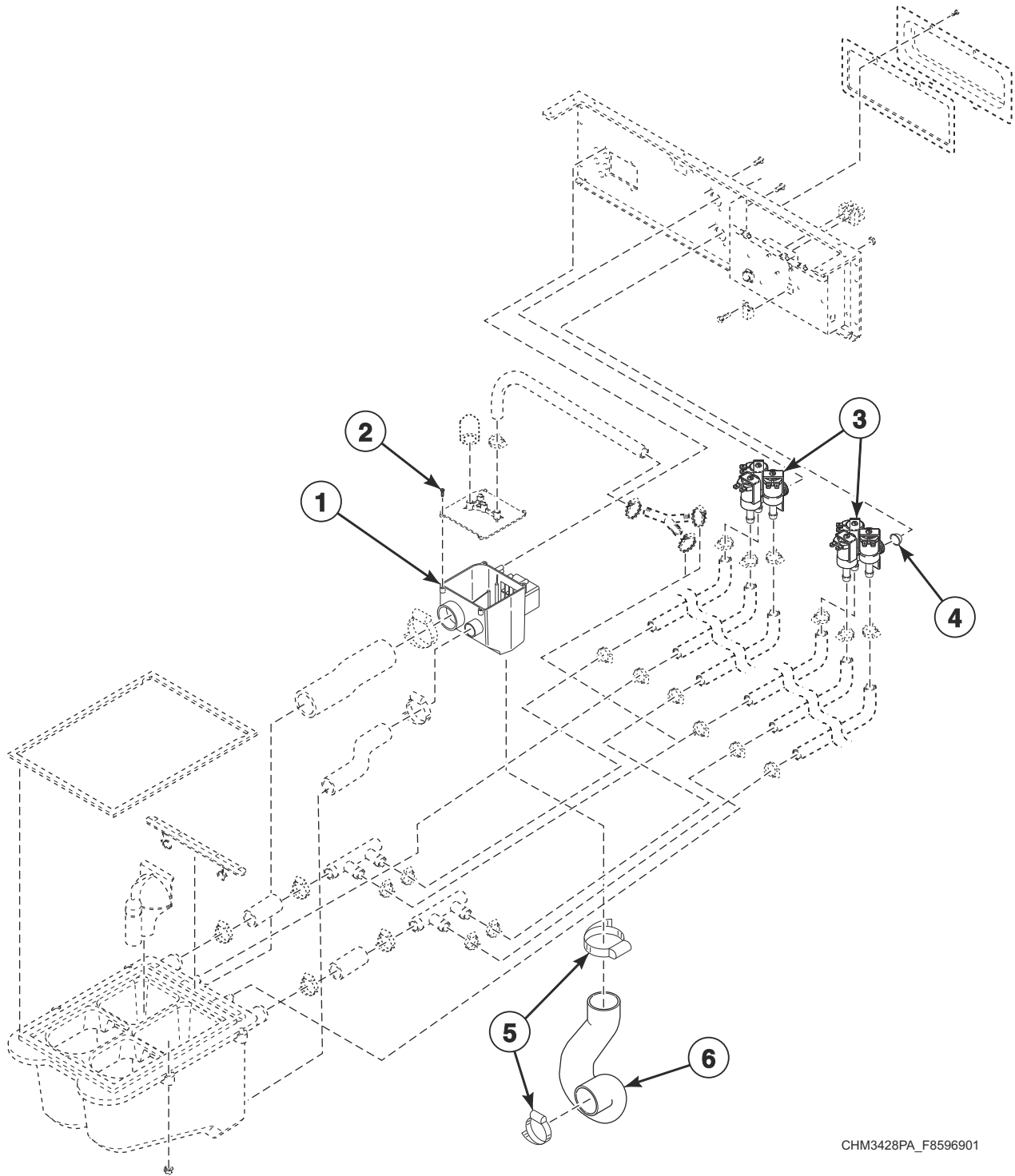


CHM3428P_F8596901

Fill Plumbing Assembly (Drawing 1 of 2)

REF	PART NO.	DESCRIPTION	COMMENTS
1	F8047401	Dispenser Assembly	Includes items 2 and 4; Models through 10/15/2012
	F8047402	Dispenser Assembly	Includes items 2 and 4; Models starting 10/16/2012
2	F8047901	Siphon Cover	
3	F8308301	Dispenser Gasket	
4	F8047801	Access Cover	
5	F8043401	Dispenser Overflow Hose	20 pound models
	F8043403	Dispenser Overflow Hose	30 pound models
	F8043404	Dispenser Overflow Hose	40 pound models
	F8043405	Supply Overflow Hose	60 pound models
6	F8042801	Vacuum Supply Hose	20 pound models
	F8042803	Vacuum Supply Hose	30 pound models
	F8042804	Vacuum Supply Hose	40 pound models
	F8042805	Vacuum Supply Hose	60 pound models
7	F200213	Hose Clamp	No. 40
8	F8197701	Cap	Vinyl
9	F0200244-01	Vacuum Breaker Hose	60 pound models
	F0200244-02	Vacuum Breaker Hose	All other models
10	F8039901	Valve Panel	20 pound models
	F8017501	Valve Panel	30 pound models
	F8039601	Valve Panel	40 pound models
	F8039801	Valve Panel	60 pound models
11	F8230301	Screw	
12	F8177001	Terminal Tray Cover	
13	F8206901	Screw	
14	F8230001	Terminal Tray Cover Gasket	
15	430642	Terminal Block	Includes screws
16	F430232	Nut	
17	M411283	Ground Lug Connector	
18	F430909	Screw	
19	36801	Hose Clamp	No. 8
20	F422816	Y Connector	
21	F8232004	Hose	20 pound models
	F8232001	Hose	30 pound models
	F8232002	Hose	40 and 60 pound models
22	20211	Hose Clamp	No. 17
23	F8333201	Manifold	
24	F200222	Hose Clamp	No. 12
25	F606816-1	Hose	
26	F8535601	Screw	
27	F0431807-00	Nut	

Fill Plumbing Assembly (Drawing 2 of 2)

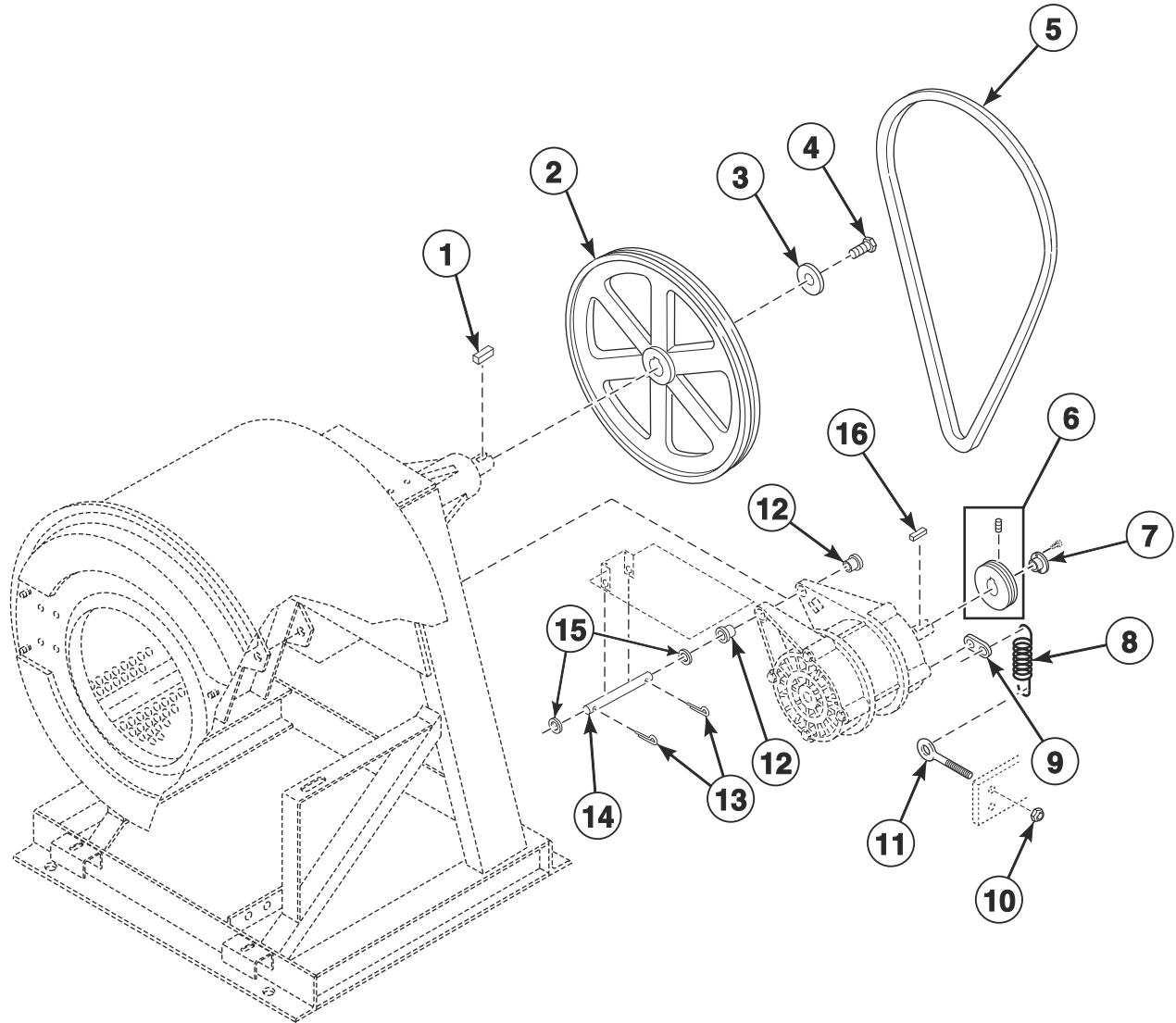


CHM3428PA_F8596901

Fill Plumbing Assembly (Drawing 2 of 2)

REF	PART NO.	DESCRIPTION	COMMENTS
	G582P3	Diaphragm and Guide Kit	Use with F8286401P 3-Way Valve and F8286402P 3-Way Valve
	F8402201	Regulator	Use with F8286401P 3-Way Valve
1	F8048601	Vacuum Breaker Assembly	Includes item 2
2	800548	Screw	
3	F8286401P	3-Way Valve	240 Volt/50 or 60 Hertz; U.S.
	F8286402P	3-Way Valve	240 Volt/50 or 60 Hertz; Metric
	395P4	Water Valve Tool	Elbi valves
4	803615	Washer	Filter
5	F200213	Hose Clamp	No. 40
6	F8042201	P-Trap Hose	20 pound models
	F8042202	P-Trap Hose	30 and 40 pound models
	F8042301	P-Trap Hose	60 pound models

Motor Mount, Pulley and Belt

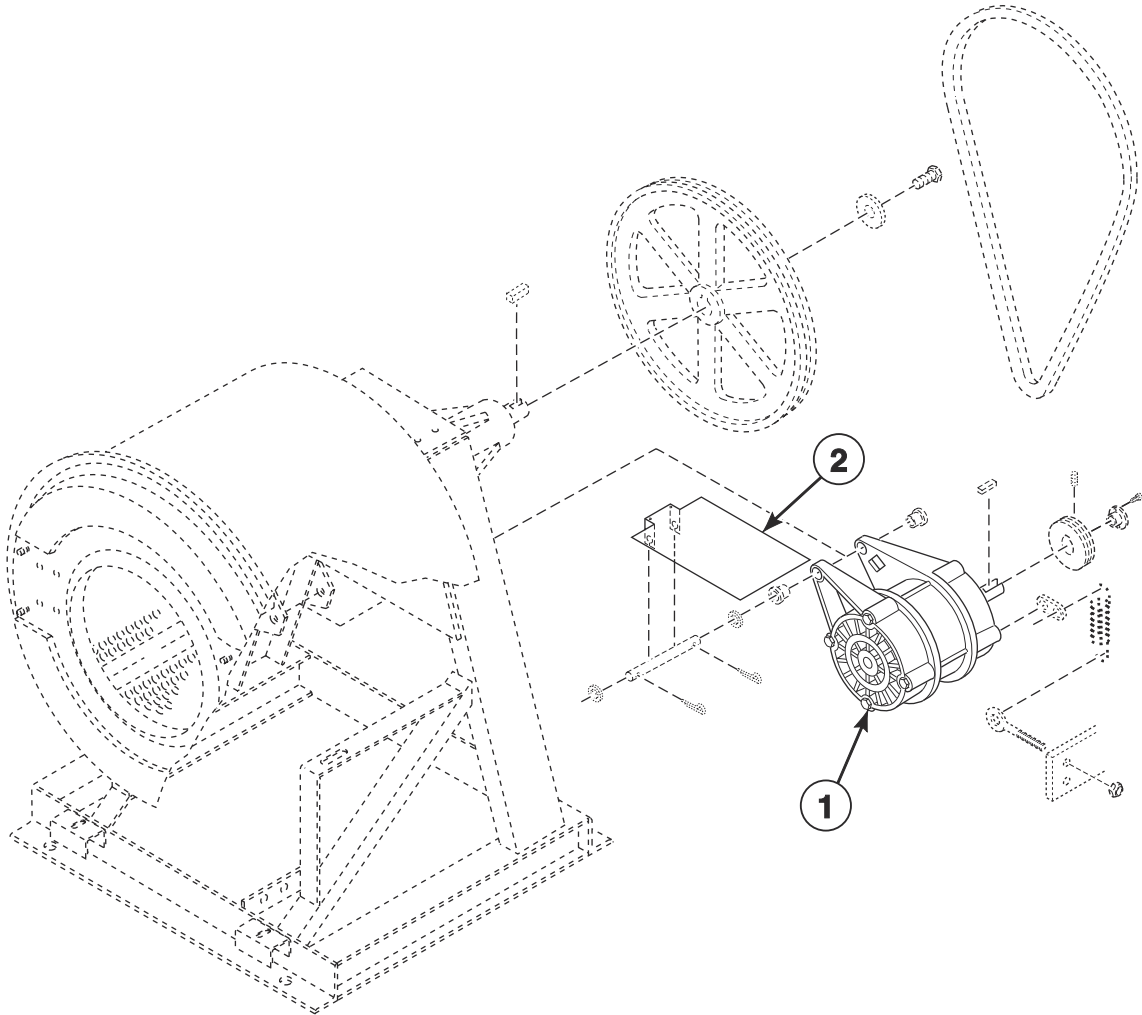


CHM3050P_F8596901

Motor Mount, Pulley and Belt

REF	PART NO.	DESCRIPTION	COMMENTS
1	F430801	Key	
2	F280168	Pulley	20 pound models; 13V1800
	F150269	Basket Pulley	30 and 40 pound F- speed models
	F280172	Sheave Pulley	30 pound 2 speed models; 13V2200
	F280197	Pulley	40 pound 2 speed models; 23V2200
	F200299700	Basket Pulley	60 pound F-speed models
	F280173	Pulley	60 pound 2 speed models; 23V2400
3	F431115	Washer	
4	F8574001	Screw	
5	F280343	Belt	20 pound 2 speed models; C and F-voltage; 3V730
	F280337	Belt	20 pound 2 speed models; B, F, O and Y-voltage; 3V710
	F8382801	Belt	20 pound F-speed models; X-voltage; 690J4
	F280321	Belt	30 pound 2 speed models; C, F, O and Y-voltage; 3V800
	F280368P	Belt	30 pound F-speed models; X-voltage; 785J4
	F280341	Belt	40 pound 2 speed models; C-voltage; 3V850
	F280342	Belt	40 pound 2 speed models; F, O and Y-voltage; 3V830
	F280369P	Belt	40 pound F-speed models; X-voltage; 820J6
	F280373	Belt	60 pound 2 speed models; C-voltage; 3V90.65
	F280304	Belt	60 pound 2 speed models; F and O-voltage; 3V900
	F280366P	Belt	60 pound F-speed models; X-voltage; V870J6
	6	F280170	Sheave Pulley
F280427P		Pulley	20 pound models; C and J-voltage; 1GR3V3.15JA; Requires item 7
F280284		Pulley	30 pound models; F and O-voltage; 1GR3V2.9
F280281		Motor Pulley	30 pound models; Y-voltage; 1GR3V3.0
F280105P		Pulley	40 pound models; C-voltage; 2GR3V3.35SH; Requires item 7
F0280385-00		Sheave	40 and 60 pound models; F, O and Y-voltage; 2GR3V3.00
F280422P		Pulley	60 pound models; C and J-voltage; 2GR3V3.365SH; Requires item 7
F280287P		Sheave Kit	X-voltage
7	H87529111P	Bushing	20 and 30 pound models; C and J-voltage; JA 5/8
	M412995P	Bushing	40 and 60 pound models; C and J-voltage; SH 7/8
8	F310124	Extension Spring	
9	F633374	Spring Clip	
10	F430218	Nut	
11	F430537	Screw	
12	F200186100	Motor Support Bushing	
13	F430401	Cotter Pin	
14	F602844	Motor Support Rod	20 pound models; 30 pound models except X-voltage
	F603059	Motor Support Rod	40 pound models; 30 pound models X-voltage
	F603897	Motor Support Rod	60 pound models
15	901690	Washer	
16	F430801	Key	30 pound models
	F430802	Key	All other models

Motor - 20 and 30 Pound Models



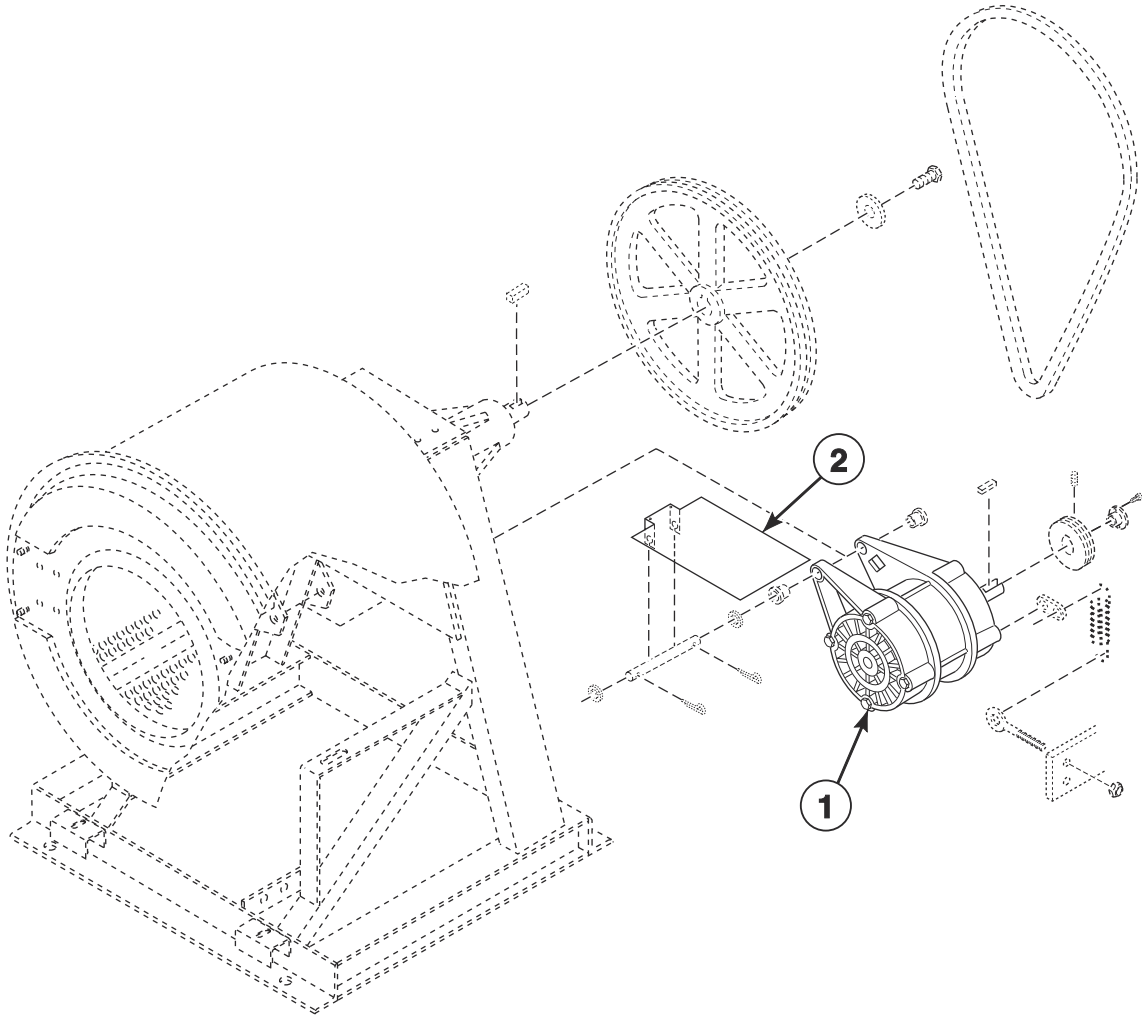
CHM3050PA_F8596901

Motor - 20 and 30 Pound Models

REF	PART NO.	DESCRIPTION	COMMENTS
1	F8597402P	Motor	20 pound 2 speed models; Replaces F220110 Motor on models through 3/1/10; B-voltage; Includes motor support bushing; Replaces F8329601P Motor
	F8329401P	Motor	20 pound 2 speed models; Models starting 5/2009; Models converted with F8411501 Motor Conversion Kit; Replaces F022032500P, F220325-H and F8329501P Motors; C, F and Y-voltage; Includes motor support bushing
	F8329301P	Motor	20 pound 2 speed models; Replaces F022039600 and F220396-H Motors on models through 7/25/10; All other models starting 7/26/10; J, K and O-voltage; Includes motor support bushing
	F8328901P	Motor Conversion Kit	20 pound F-speed models; Replaces F220393 Motor; X-voltage; Includes motor support bushing; **
	F022012800P	Motor	20 pound 2 speed models; Use with F220128-H Motor; Y-voltage; Includes F200186100 Motor Support Bushing
	F8411501	Motor Conversion Kit	20 pound 2 speed models; Models through 6/2009; Y-voltage; Replaces F022012800P Motor
	F8597401P	Motor	20 pound 2 speed models; Models starting 5/2009; Models converted with F8411501 Motor Conversion Kit; Y-voltage
	F8329801P	Motor	30 pound 2 speed models; Replaces F022038800P and F220388-H Motors; C and F-voltage; Includes motor support bushing
	F8329701P	Motor	30 pound 2 speed models; Replaces F022038700 and F220387-H Motors; J, K and O-voltage; Includes motor support bushing
	F8329001P	Motor Conversion Kit	30 pound F-speed models; Replaces F220395 Motor on models through 3/2/10; X-voltage; Includes F8329001 Motor and motor support bushing; **
	F8597501P	Motor	30 pound 2 speed models; Replaces F022012400 and F220124-H Motor; Y-voltage; Includes motor support bushing
2	F200216900	Motor Drip Shield	2 speed models

**** NOTE: AC drive parameters must be compatible with the motor and motor pulley. Please request the AC drive parameter illustration for parameter verification when ordering a motor.**

Motor - 40 and 60 Pound Models



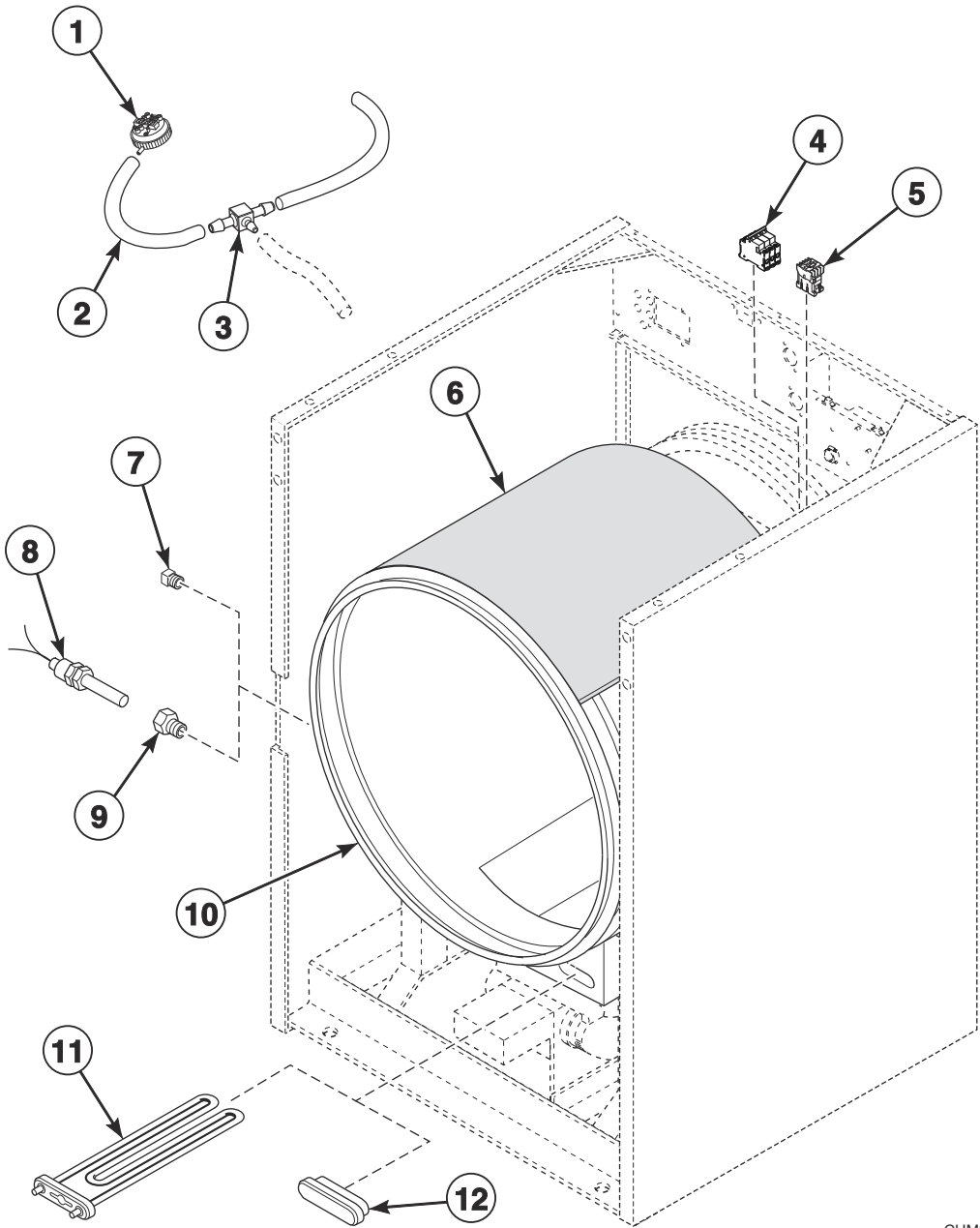
CHM3050PA_F8596901

Motor - 40 and 60 Pound Models

REF	PART NO.	DESCRIPTION	COMMENTS
1	F8597802P	Motor	40 pound 2 speed models; Replaces F022032600 and F220326-H Motors; C and F-voltage; Includes motor support bushing
	F8597801P	Motor	40 pound 2 speed models; Replaces F0220321-00 Motor on models through 7/25/10; All other models starting 7/26/10; O-voltage; Includes motor support bushing
	F8597502P	Motor	40 pound 2 speed models; Replaces F0220120-01P Motor on models through 12/31/10; All other models starting 1/1/11; Y-voltage; Includes motor support bushing; Replaces F8330201P Motor
	F8329101P	Motor Conversion Kit	40 pound F-speed models; Replaces F220394 Motor on models through 6/20/10; X-voltage; Includes F8329101 Motor and motor support bushing**
	F8597804P	Motor	60 pound 2 speed models; Replaces F220327P Motor on models through 4/27/10; All other models starting 4/28/10; C and F-voltage; Includes motor support bushing; Replaces F8330401P Motor
	F8597803P	Motor	60 pound 2 speed models; Replaces F022032200 Motor on models through 10/31/10; All other models starting 11/1/10; J and O-voltage; Includes motor support bushing; Replaces F8330301P Motor
	F8329201P	Motor Conversion Kit	60 pound F-speed models; Replaces F220234P Motor on models through 9/15/10; X-voltage; Includes motor support bushing**
2	F200216900	Motor Drip Shield	40 pound 2 speed models except Y-voltage; 60 pound F-speed models
	F200280700	Motor Drip Shield	40 pound models Y-voltage; 60 pound 2 speed models

**** NOTE: AC drive parameters must be compatible with the motor and motor pulley. Please request the AC drive parameter illustration for parameter verification when ordering a motor.**

Electric Heat Option

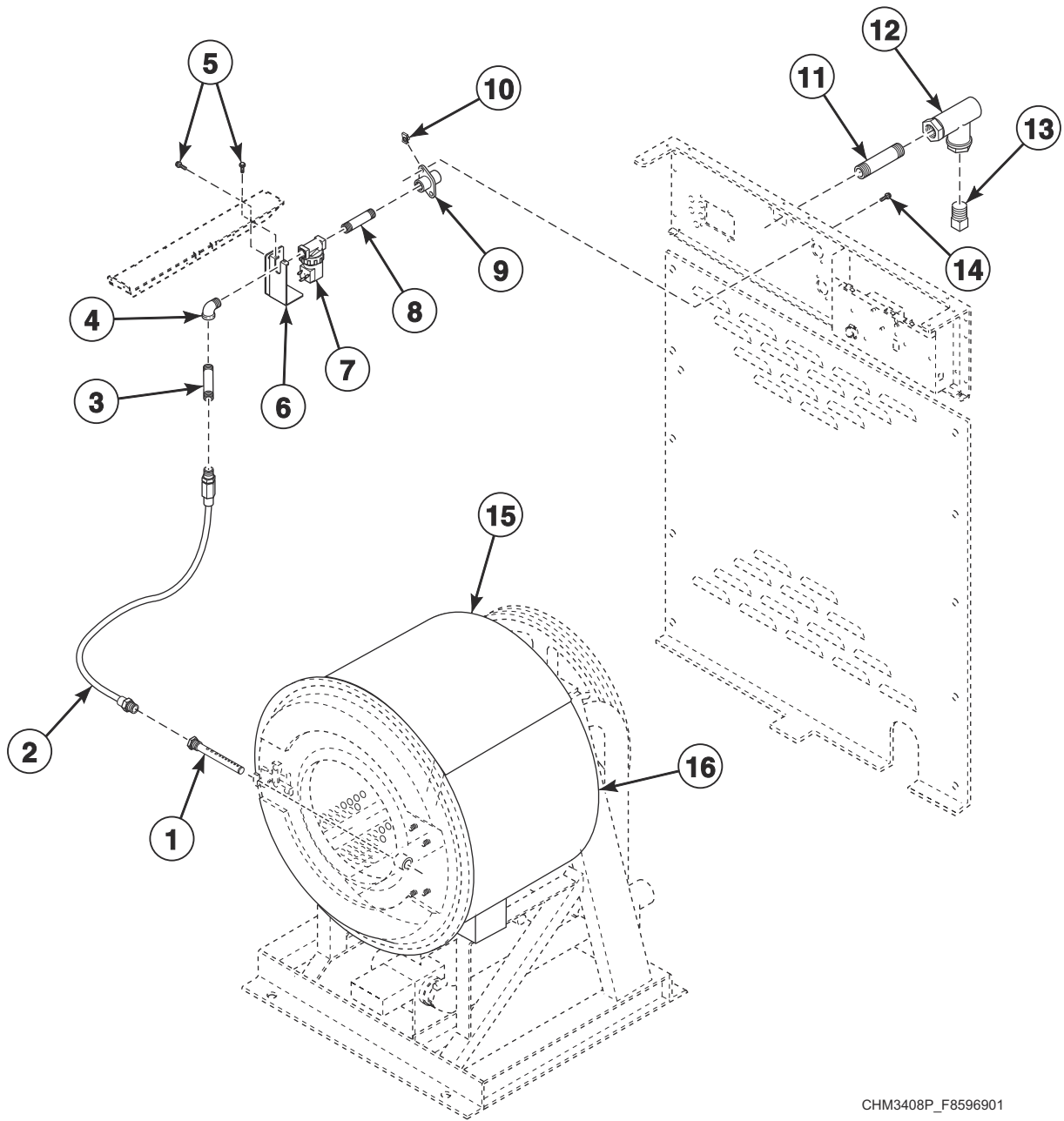


CHM3406P_F8596901

Electric Heat Option

REF	PART NO.	DESCRIPTION	COMMENTS
	F8056001	Jumper Wire	P-voltage requires 5; N-voltage requires 3
1	F8223001P	Water Pressure Switch	Heat Safety
2	F8153901	Tubing	
3	F8246601	Tee	
4	70256901P	Circuit Breaker	
5	F330188P	Contactora	
6	F410300	Pipe Insulation	
7	F421507	Plug	
8	F370609	Thermistor Sensor	
9	F421936	Reducer Bushing	
10	F8179202	Shell Weldment	20 pound OPL models
	F8179302	Shell Weldment	30 pound OPL models
	F8179402	Shell Weldment	40 pound OPL models
	F8179502	Shell Weldment	60 pound OPL models
11	F360205P	Element	2.6 kW; 3 used in 20 and 30 pound models; 6 used in 40 and 60 pound models
12	F360202	Heating Element Plug	

Steam Heat Option



CHM3408P_F8596901

Steam Heat Option

REF	PART NO.	DESCRIPTION	COMMENTS
	F953P3	Steam Heat Kit	Includes items 1, 2, 4, 6-9, 11-15, F8116301 Coupling, F8362701 Coupling, 70139601 Pipe Nipple, F421703 Street Elbow, F8115601 Cord Din Set Assembly, hardware and labels
	F380984P	Steam Valve Repair Kit	Use with item 7
	F8514601P	Coil	Use with F8322801 Valve
	F8379501P	Valve Kit	Use with F8322801 Valve
	F8382301	DIN Valve Adapter Kit	Use with F8322801 Valve
1	F8368201	Steam Injector Tube Assembly	
2	F200197	Steam Hose	60 pound models
3	F8110601	Nipple	60 pound models
4	H86070034	Street Elbow	
5	430497	Screw	
6	F8490301	Steam Bracket	
7	F8521501	DIN Valve Kit	220 Volt; Use with F380787P Steam Valve
	F8322801P	Valve	Replaces F380787P Steam Valve; Includes F8514601 Coil; For models that have been upgraded with F8521801 DIN Valve Kit
	F8521501	DIN Valve Kit	Replaces F380787P Steam Valve; Includes F8322801 Valve, F8382301 DIN Valve Adapter Kit and F8514601 Coil
8	70263801	Pipe Nipple	
9	F8154501	Coupling	
10	70030401	Nut	
11	431486	Pipe Nipple	
12	F270307	Steam Filter	
13	F420409	Plug	
14	20253	Screw	
15	F410300	Pipe Insulation	
16	F8360602	Shell Weldment	20 pound models
	F8360702	Shell Weldment	30 pound models
	F8360802	Shell Weldment	40 pound models
	F8360902	Shell Weldment	60 pound models

Parts Index

A

Access Cover	
F8047801	61
Air Trap Hose	
F020014200	11, 13, 15, 17
Auxiliary Control Assembly	
F8189401P	11, 13, 15, 17

B

Basket Assembly	
F8347901P	47
F8391301P	47
F8391701P	47
F8502801P	47
Basket Puller Tool	
F460129P	47
Basket Pulley	
F150269	65
F200299700	65
Basket Rental Tool Kit	
390P4-1	47
Basket Tool Kit	
389P4	47
Bearing	
F100108	49
F100123P	49
F100134	49
F100135	49
F100136P	49
F100137P	49
Bearing Sleeve	
F8221701	39, 41, 43
Belt	
F280304	65
F280321	65
F280337	65
F280341	65
F280342	65
F280343	65
F280366P	65
F280368P	65
F280369P	65
F280373	65
F8382801	65
Blind Rivet	
F8245101	39, 41, 43
Bolt	
F200182700	55, 57
F430974	39, 41, 43
F8230501	37
F8270701	45
Bushing	
H87529111P	65
M412995P	65

C

Cap	
F8197701	61
Capacitor	
F370218P	11, 15
F370220	11, 15
F370221	11, 15
F8411701	11, 15
F8411801	11, 15
F8411901	11, 15
Capacitor Tray Assembly	
F8199601	11, 15
F8199901	11, 15
Card Plate Assembly	
F8201501	25
Card Reader Overlay	
70334201	25
70334301	25
Circuit Breaker	
70256901P	71
Clamp Ring Assembly	
F8388002	47
Coil	
F8514601P	73
Coin Box	
F160672	27
Coin Chute	
F8170801	15, 17
Coin Drawer Assembly	
F8182001	27
Coin Drop	
70256402P	21
70441601P	19
Coin Drop Assembly	
210195	21
210196	21
38462P	19
38463	19
38464P	19
38472	21
38521	21
39157	21
70281102	21
Coin Drop Overlay	
39564	35
Coin Identification Paper	
38725	19, 21, 23
Coin Meter	
F0160737-00	21
Coin Meter Assembly	
F200010000P	19
F200010001	21
F200010002	21
F200010003	21
F200010004	21
F200010005P	21
F200010006	19
F200010007	19
F200010008	21
F200010009	19

N/A items do not appear in index.

F200010010	21
F200010011	19
F200010012	19
F200021600P	23
Coin Vault Assembly	
F8182501	15
F8182601	15, 17
Concrete Kit	
1111P	51
Contact Base	
F8538101	11, 13
Contact Block Switch	
F200233401P	11, 13
Contact Switch	
F8069501	11, 13
Contacto	
F330177P	11, 15
F330188P	71
Contacto Tray Assembly	
F8343401	11, 15
Control Assembly Kit	
F980P3	11, 13, 15, 17
Control Kit	
F999P3	11, 13, 15, 17
Control Panel Assembly	
F8038501	31
F8038503	33
F8038601	31
F8038603	33
F8038701	31
F8038703	33
F8038801	31
F8038803	33
Control Panel Overlay	
F8236801	35
Control Tray Assembly	
F8205901	11, 13
F8205902	15, 17
F8205903	13, 15, 17
Control Tray Harness	
F8261501P	11, 13, 15, 17
Cotter Pin	
F430401	65
Coupling	
F8154501	73
Cover Overlay	
70275402	35

D

Diaphragm and Guide Kit	
G582P3	63
DIN Rail	
F8200101	11, 15
DIN Valve Adapter Kit	
F8382301	73
DIN Valve Kit	
F8521501	73
Dispenser Assembly	
F8047401	61
F8047402	61
Dispenser Gasket	
F8308301	61

Dispenser Lid	
F8048101	37
Dispenser Overflow Hose	
F8043401	61
F8043403	61
F8043404	61
Door	
F0602431-02	39
F0602837-02	41
F602842-2	43
Door Assembly	
F8187202	39
F8187203	39
F8187302	41
F8187303	41
F8187402	43
F8187403	43
Door Bezel	
F0170426-00	31, 33
F0170426-10	31, 33
F0170426-30	31, 33
F170416-1	31, 33
F170416-2	31, 33
F170416-3	31, 33
F170417-1	31, 33
F170417-2	31, 33
F170417-3	31, 33
Door Gasket	
F170124	43
F200000200	39
F200000202	39
F8111502	43
F8111601	41
F8111602	41
Door Glass	
F8341701	39
F8485301P	41
F8485302	41
F8485401P	43
F8485405	43
Door Glass Kit	
F290205P	39
Door Handle	
F8199401P	39, 41, 43
F8199501	39, 41, 43
Door Handle Spacer Kit	
F8567501	39, 41, 43
Door Hinge	
F190216P	39, 41, 43
Door Hinge Shim Kit	
F200131000P	39, 41, 43
Door Latch Arm Assembly	
F8221403	39, 41, 43
Door Lock Assembly	
F8340501	45
Door Lock Assembly Kit	
F8626501	45
Door Lock Catch	
F8223601	45
F8344501	45
Door Lock Cover	
F8245001	45
Door Lock Microswitch	
F200203200	45
Door Lock Plate Assembly	
F8223202	45

N/A items do not appear in index.

Door Lock Plate Shim	
F8059701	45
F8344401	45
Door Lock Solenoid Replacement Kit	
F977P3	45
Door Lock Splash Shield	
F320200	45
Door Lock Switch Lever	
F8223401	45
Door Mount	
F150271	39, 41, 43
Drain Connect Tee	
F150318	53
Drain Hose	
F8231901	53
F8231902	53
F8232901	53
F8233001	53
F8233101	53
F8233102	53
Drain Tee	
F150398	53
Drain Valve	
F8406303	57
Drain Valve Cover	
F200133600	55, 57
Drain Valve Kit	
F200166400	57
F200166402	57
Drain Valve Motor	
F380933P	55, 57
F8618901P	55, 57

E

Earth Terminal Sticker	
M412096	9
Electric Shock Danger Label	
F8115501	9
Electronic Coin Drop Assembly	
70294101P	23
70294103P	23
70294104	23
70294106	23
70294107	23
70294109	23
70294111	23
70294119	23
70513311	23
Electronic Coin Drop Kit	
CK095	23
CK099	23
CK100	23
CK101	23
CK103	23
CK106	23
CK109	23
CK110	23
CK113	23
CK115	23
CK119	23
CK500	23
Element	
F360205P	71

Emergency Stop Harness	
F8060501	13
Emergency Stop Plate	
F8201301	11, 13
Emergency Stop Pushbutton	
F200233500	11, 13
EMI Filter	
F8053901P	13, 17
F8053902	13, 17
Excluder Seal	
F8336801	47
F8336901	47
F8337001	47
F8337101	47
Expansion Clip	
70030501	11, 13, 15, 17, 31, 33, 37
Extension Spring	
F310124	65
External Door Lock Harness	
F8340001	45
External Supply Connection Decal	
F8150201	9
External Supply Harness	
F8191201P	11, 13, 17
External Supply Kit	
F937P3	11, 13, 15, 17

F

Fill Hose Kit	
F8544601	59
Frame Weldment	
F8195901	51
F8196001	51
F8196101	51
F8199101	51
Front Cabinet Brace	
F8173801	31, 33
F8173901	31, 33
F8174001	31, 33
Front Panel	
F8171301	31
F8171302P	33
F8173001	31
F8173002P	33
F8173101P	31
F8173102P	33
F8173201P	31
F8173202P	33
Fuse	
802493	11, 13, 15, 17

G

Gravity Drain Valve	
803292	55
Ground Decal	
F230739	9
Ground Lug Connector	
M411283	61
Gusset Plate	
F8186701	33

N/A items do not appear in index.

H

Heating Element Plug
 F360202 71

Hose
 F606816-1 61
 F8232001 61
 F8232002 61
 F8232004 61

Hose Clamp
 F200201 53
 F200213 53, 61, 63
 F200215 53, 57
 F200222 11, 13, 15, 17, 61
 20211 61
 36801 61

Hot Surface Warning Label
 F8614301 9

I

Interlock Contactor
 F330186P 11, 15

J

Jumper Configuration Assembly
 M413507 11, 13, 15, 17

Jumper Harness Assembly
 M413506 11, 13, 15, 17

Jumper Wire
 F8056001 71

K

Key
 F160420 27
 F430801 65
 F430802 65
 70155603 37

L

Left Side Panel
 F8042902P 37
 F8043102P 37
 F8043202P 37
 F8043302P 37

Lid Clamp
 F8091701 37

Lower Cabinet Brace
 F8174101 31, 33

M

Machine Size Configuration Harness
 F8028101P 11, 13, 15
 F8028103P 11, 13, 15, 17
 F8028104P 11, 13, 15, 17
 F8028105P 11, 13, 15, 17

Magnet
 F8390801 39, 41, 43

Manifold
 F8333201 61

Motor
 F022012800P 67
 F8329301P 67
 F8329401P 67
 F8329701P 67
 F8329801P 67
 F8597401P 67
 F8597402P 67
 F8597501P 67
 F8597502P 69
 F8597801P 69
 F8597802P 69
 F8597803P 69
 F8597804P 69

Motor Conversion Kit
 F8328901P 67
 F8329001P 67
 F8329101P 69
 F8329201P 69
 F8411501 67

Motor Drip Shield
 F200216900 67, 69
 F200280700 69

Motor Pulley
 F280281 65

Motor Support Bushing
 F200186100 65

Motor Support Rod
 F602844 65
 F603059 65
 F603897 65

Motor Switch
 F340002 11, 15

Mount on Concrete Warning Label
 F8246401 9

Mounting Plate
 70208801 25

N

Nipple
 F8110601 73

Nut
 F0431807-00 61
 F430215 39, 41, 43, 47, 53
 F430218 51, 65
 F430225 45
 F430232 11, 13, 15, 17, 39, 41, 43, 45, 61
 F430239 49
 F430240 49
 F430264 45
 F431017 11, 13, 29
 F431022 39, 41, 43

N/A items do not appear in index.

F431041	39, 41, 43
24205	11, 13
685846	19, 21, 23
70030401	73

O

Opto Coupler	
200674P	19, 21
Output/Logic Harness	
F8028701	11, 13, 15, 17
Overflow Hose	
F0200238-00	53
F150308	53
F150417	53
F8337701	53
Overflow Plug	
F150352	57
Overlay	
F8218701	35
F8218702	35
F8218801	35
F8218802	35
F8218901	35
F8218902	35
F8219001	35
F8219002	35
F8219201	35
F8219301	35
F8219401	35
F8219501	35
F8219701	35
F8219801	35
F8219901	35
F8220001	35
F8293001	35
F8293002	35
F8293101	35
F8293102	35
F8293201	35
F8293202	35
F8293301	35
F8293302	35
F8293501	35
F8293601	35
F8293701	35
F8293801	35
70295101	23
70295301	23
Overload Contactor	
F8176101P	11, 15

P

Panel Lock	
44089303P	37
Pipe Insulation	
F410300	71, 73
Pipe Nipple	
431486	73
70263801	73
Plug	
F420409	73
F421507	71

Pop Rivet	
F431223	39, 41, 43
70058501	11, 15, 17, 19, 21
PowerFlex 40 Drive	
F8169403	17
F8169404	17
F8169405	17
F8169406	17
F8169407	13, 17
F8169408	13, 17
F8169436	17
F8169437	17
F8169438	17
F8169439	17
F8169440	13, 17
F8169441	13, 17
Pressfit Upgrade Kit	
F935P3	47
F936P3	47
F938P3	47
F939P3	47
P-Trap Hose	
F8042201	63
F8042202	63
F8042301	63
Pulley	
F280105P	65
F280168	65
F280173	65
F280197	65
F280284	65
F280422P	65
F280427P	65
Pulse Expander Assembly	
F8034701P	23
Pushbutton Switch	
70413301	37

R

Rear Panel	
F8176201P	37
F8176301	37
F8177501P	37
F8177701P	37
Reducer Bushing	
F421936	71
Reed Switch Assembly	
F8066802	39, 41, 43
Regulator	
F8402201	63
Retaining Ring	
F8337801	49
F8337901	49
F8344901	49
F8345001	49
Right Side Panel	
F8042901P	37
F8043101P	37
F8043201P	37
F8043301P	37
Rocker Switch	
70455101	29
Rod	
F602813-2	39, 41

N/A items do not appear in index.

F602813-3..... 43

S

Screw

F430107..... 53
F430174..... 31, 33, 37
F430518..... 47
F430532..... 39
F430533..... 41, 43
F430536..... 39, 41, 43
F430537..... 65
F430903..... 11, 13, 15, 17
F430909..... 61
F430942..... 51
F430949..... 51
F430956..... 45
F430977..... 45
F8117601..... 31, 33
F8206901..... 11, 13, 15, 17, 37, 61
F8230301..... 61
F8230601..... 37
F8442702..... 51
F8535501..... 39, 41, 43
F8535601..... 61
F8574001..... 65
20253..... 73
430497..... 73
800548..... 63
801019..... 31

Shaft Seal Sleeve

F8312001P..... 47
F8312004P..... 47
F8312006P..... 47

Shaft Seal Sleeve Kit

F8343901P..... 47
F8343904P..... 47
F8343906P..... 47
F8343909P..... 47

Sheave

F0280385-00..... 65

Sheave Kit

F280287P..... 65

Sheave Pulley

F280170..... 65
F280172..... 65

Shell Band Kit

F8537801..... 47
F8537803..... 47
F8537804..... 47

Shell Front Assembly

F8229401..... 47
F8229501..... 47
F8229601..... 47
F8229701..... 47

Shell Front Gasket Kit

F8513501..... 47

Shell Weldment

F8179201..... 51
F8179202..... 51, 71
F8179203..... 51
F8179301..... 51
F8179302..... 51, 71
F8179401..... 51
F8179402..... 51, 71
F8179403..... 51

F8179501..... 51
F8179502..... 51, 71
F8179503..... 51
F8360602..... 73
F8360702..... 73
F8360802..... 73
F8360902..... 73

Shim

F8484401..... 45

Siphon Cover

F8047901..... 61

Snap Bushing

44071501..... 11, 13, 15, 17

Solenoid

F8630601..... 45

Spacer

F431901..... 45

Spring

F8504601..... 55

Spring Clip

F633374..... 65

Spring Pin

F431222..... 39, 41, 43

Steam Bracket

F8490301..... 73

Steam Filter

F270307..... 59, 73
F270308..... 59

Steam Heat Kit

F953P3..... 73

Steam Hose

F200197..... 73

Steam Injector Tube Assembly

F8368201..... 73

Steam Valve Repair Kit

F380984P..... 73

Street Elbow

H86070034..... 73

Supply Overflow Hose

F8043405..... 61

Support Bracket

F8195803..... 13, 17

Switch Clamp

F0340722-00..... 11, 15

T

Tee

F8246601..... 11, 13, 15, 17, 71

Temperature Configuration Harness

F8028219P..... 11, 15
F8028240P..... 11
F8028242P..... 11

Temperature Knob

44104601..... 29

Temperature Selector Switch

D511711..... 29

Temperature Selector Switch Bracket

70391701..... 29

Terminal Block

430642..... 61

Terminal Tray Cover

F8177001..... 61

N/A items do not appear in index.

Terminal Tray Cover Gasket F8230001	61
Thermistor Sensor F370609	71
Top Cabinet Brace F8043501	37
F8043701	37
F8043801	37
F8043901	37
Top Cover F8017401	37
F8040201	37
F8040301	37
F8040401P	37
Top Cover Hinge F8258601	37
Top Cover Latch F8201001	31, 33
Torsion/Door Lock Spring F8070301	45
Transformer F360157P	11, 13, 15, 17
201616P	11, 13, 15, 17
803527P	11, 13, 15, 17
Triple Lip Seal F8203801	49
F8203802	49
F8203803	49
F8203806	49
Trunnion Kit F747001	49
F747002	49
F747003	49
F747005	49
Tubing F8153901	11, 13, 15, 17, 71

U

USB IR Interface Kit 203346	11, 13, 15, 17
Use Copper Conductors Only Caution Label F8242201	9

V

Vacuum Breaker Assembly F8048601	63
Vacuum Breaker Hose F0200244-01	61
F0200244-02	61
Vacuum Supply Hose F8042801	61
F8042803	61
F8042804	61
F8042805	61
Valve F8322801P	73
Valve Kit F8379501P	73
Valve Panel F8017501	61
F8039601	61

F8039801	61
F8039901	61
Valve, 3-Way F8286401P	63
F8286402P	63

W

Warning Label F8207901	9
F8233501	9
44324001	9
Washer F430303	51
F430317	47, 53
F431113	39, 41, 43
F431115	65
F431128	49, 51
F431131	49, 51
F431902	45
F431916	39, 41, 43
F431929	39, 41, 43
M400081	51
803615	59, 63
901690	65
Water Hose F200108P	59
F200116	59
Water Pressure Switch F8223001P	11, 13, 15, 17, 71
Water Valve Tool 395P4	63

Y

Y Connector F422816	61
------------------------------	----

N/A items do not appear in index.

