

Washer-Extractor

27, 50, 55 and 240 Models

Refer to Page 5 for Model Numbers



Table of Contents

Title	Page
Parts Ordering Information.....	3
Serial Plate Location	3
Model Identification	5
Upper Frame	6
Lower Frame	8
Stabilizing Springs - AF Non-Brand, HY, IY, J, NY, SY and UY Models.....	10
Stabilizing Springs - AF, FX, HX, LP, LY, MWF, PY and SW Models.....	12
Cabinet - AF Non-Brand, HY, NY, SY and UY Models (Drawing 1 of 2).....	14
Cabinet - AF Non-Brand, HY, NY, SY and UY Models (Drawing 2 of 2).....	16
Cabinet - IY and J Models (Drawing 1 of 2)	18
Cabinet - IY and J Models (Drawing 2 of 2)	20
Cabinet - AF, FX, HX, LP, LY, MWF, PY and SW Models (Drawing 1 of 2)	22
Cabinet - AF, FX, HX, LP, LY, MWF, PY and SW Models (Drawing 2 of 2)	24
Control Panel - AF Non-Brand, HY, NY, SY and UY Models.....	26
Control Panel - AF Non-Brand, NY and SY Vended, CE and Watermark Models (Drawing 1 of 3)	28
Control Panel - AF Non-Brand, NY and SY Vended, CE and Watermark Models (Drawing 2 of 3)	30
Control Panel - AF Non-Brand, NY and SY Vended, CE and Watermark Models (Drawing 3 of 3)	32
Control Panel - IY and J Models	34
Control Panel - IY and J Vended, CE and Watermark Models (Drawing 1 of 2).....	36
Control Panel - IY and J Vended, CE and Watermark Models (Drawing 2 of 2).....	38
Control Panel - AF, FX, HX, LP, LY, MWF, PY and SW Models (Drawing 1 of 2).....	40
Control Panel - AF, FX, HX, LP, LY, MWF, PY and SW Models (Drawing 2 of 2).....	42
Control Panel - AF, FX, LP, LY, MWF and PY Vended, CE and Watermark Models (Drawing 1 of 3).....	44
Control Panel - AF, FX, LP, LY, MWF and PY Vended, CE and Watermark Models (Drawing 2 of 3).....	46
Control Panel - AF, FX, LP, LY, MWF and PY Vended, CE and Watermark Models (Drawing 3 of 3).....	48
Coin Meter - AF, AF Non-Brand, FX, IY, J, LP, LY, MWF, NY, PY and SY Vended Models	50
Door (Drawing 1 of 2).....	52
Door (Drawing 2 of 2).....	54
Water Inlet System (Drawing 1 of 2)	56
Water Inlet System (Drawing 2 of 2)	58
Water Inlet System - Optional (Drawing 1 of 2).....	60
Water Inlet System - Optional (Drawing 2 of 2).....	62
Drain System - Drain Valve.....	64
Rear Panel (Drawing 1 of 3)	66
Rear Panel (Drawing 2 of 3)	68
Rear Panel (Drawing 3 of 3)	70
Steam Heating	72
Washing Drum and Tub	74
Wet Cleaning - With Built-In Recirculation Pump.....	76
Wet Cleaning - Without Built-In Recirculation Pump.....	78
Drive.....	80

© Copyright 2018, Alliance Laundry Systems LLC

All rights reserved. No part of the contents of this book may be reproduced or transmitted in any form or by any means without the expressed written consent of the publisher.

Bearing Housing	82
Weighing System	84
Liquid Soap Supply System - Pumps.....	86
Elevated Base Frame	88
Wire Harnesses	90
Parts Index.....	91

Parts Ordering Information

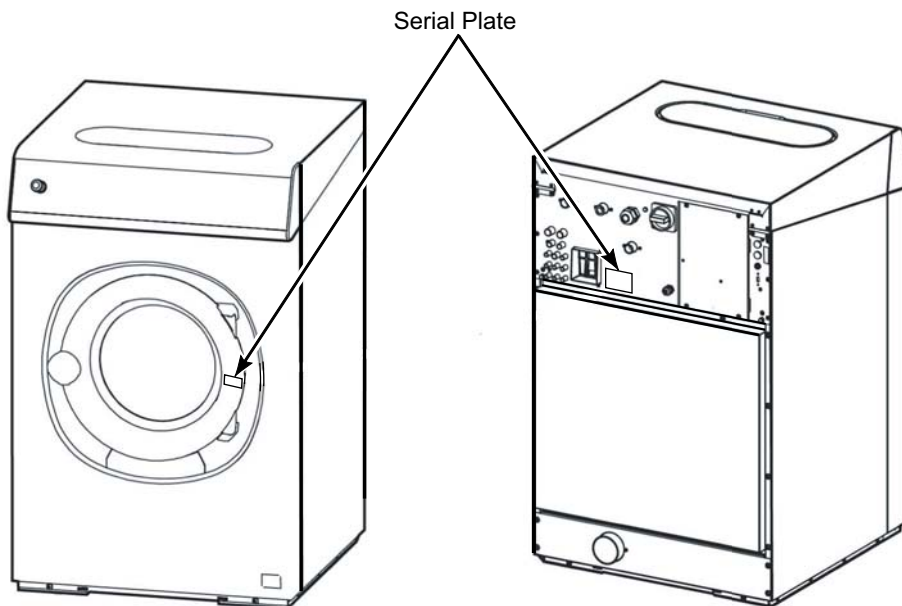
If literature or replacement parts are required, contact the source from whom the machine was purchased or contact Alliance Laundry Systems at (920) 748-3950 for the name and address of the nearest authorized parts distributor.

For technical assistance, call the number listed below:

(920) 748-3121 Ripon, Wisconsin

Serial Plate Location

When calling or writing about your product, be sure to mention model and serial numbers. Model and serial numbers are located on serial plate(s).



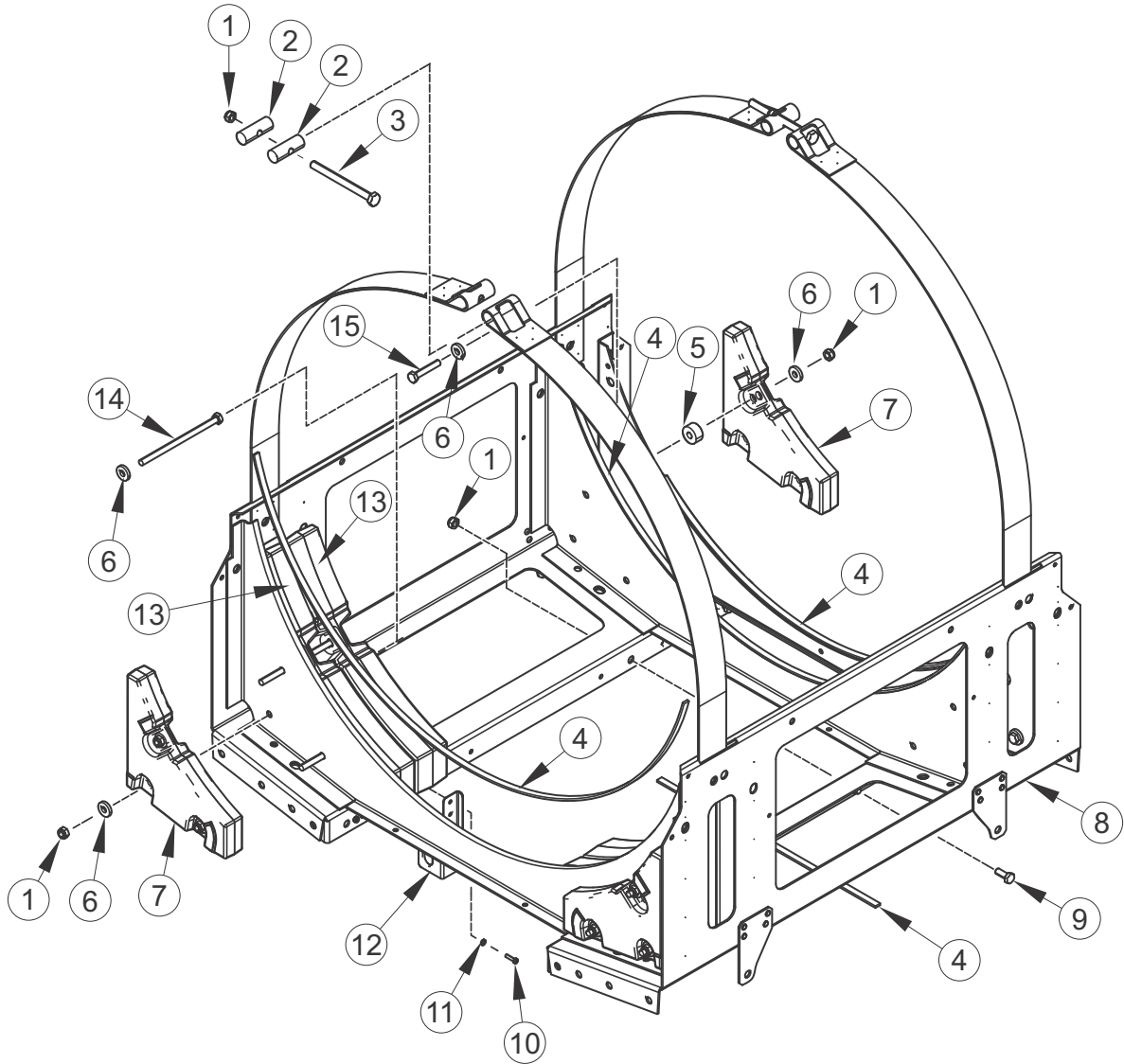
CZW131N_D2307

Model Identification

Information in this manual is applicable to these washer-extractor models:

AF240_BASIC	JLA50_ARIES	PYC240T
AF240_PROFESSIONAL	JLA50_ARIES-ELITE	PYC240X
AF240_X_CONTROL	JYC240J	PYE240T
AF240_X_CONTROL_PLUS	JYC240R	PYE240X
FX240_X_CONTROL	JYE240J	PYH240T
FX240_X_CONTROL_PLUS	JYE240R	PYH240X
HX240_X_CONTROL	JYH240J	PYN055T
HX240_X_CONTROL_PLUS	JYH240R	PYN055X
HY240_HC-200	JYX240J	PYU240T
HY55_HC-200	JYX240R	PYU240X
HYC240F	LPRFRAF240E	PYX240T
HYE240F	LYC240T	PYX240X
HYG240F	LYC240X	PYY240T
HYH240F	LYE240T	PYY240X
HYN055F	LYE240X	SW27
HYQ240F	LYH240T	SY240_QED
HYU240F	LYH240X	SY240_QED-SELECT
HYW240F	LYU240T	SY55_QED-SELECT
HYX240F	LYU240X	SYC240A
IY240_ARIES	LYX240T	SYC240D
IY240_ARIES-ELITE	LYX240X	SYE240A
IY55_ARIES	LYY240T	SYE240D
IY55_ARIES-ELITE	LYY240X	SYG240A
IYC240J	MWFX55_X_CONTROL	SYG240D
IYC240R	MWFX55_X_CONTROL_PLUS	SYH240A
IYE240J	NYC240T	SYH240D
IYE240R	NYC240X	SYN055D
IYG240J	NYE240T	SYQ240A
IYG240R	NYE240X	SYQ240D
IYH240J	NYH240T	SYU240A
IYH240R	NYH240X	SYU240D
IYN055R	NYU240T	SYW240A
IYQ240J	NYU240X	SYW240D
IYQ240R	NYX240T	SYX240A
IYU240J	NYX240X	SYX240D
IYU240R	NYY240T	SYY240A
IYW240J	NYY240X	SYY240D
IYW240R	PY55_X_CONTROL	UY240_PROFORM
IYX240J	PY55_X_CONTROL_PLUS	UY55_PROFORM
IYX240R		UYC240I
IYY240J		UYE240I
IYY240R		UYG240I
		UYH240I
		UYN055I
		UYQ240I
		UYU240I
		UYW240I
		UYX240I
		UYZ240I

Upper Frame

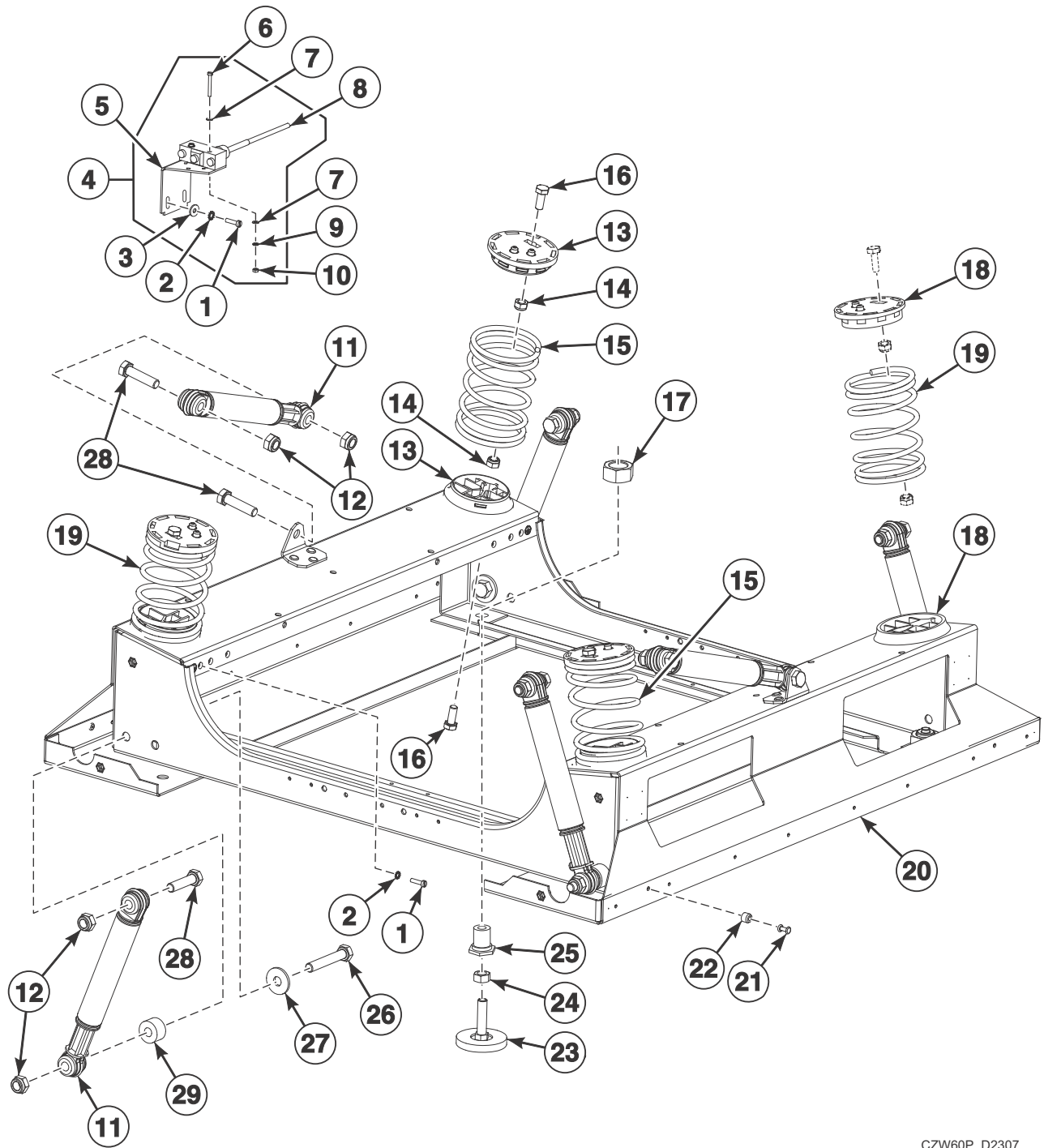


C-CZW55P_D2307

Upper Frame

REF	PART NO.	DESCRIPTION	COMMENTS
1	SP310985000008	Nut	M8
2	SP533738	Cover Strip Pin	
3	SP527093	Bolt	M8x100
4	SP517232	Seal	
5	SP515274	Distance Case	
6	SP525284	Washer	M8
7	SP533784	Lower Weight	
8	SP533806	Upper Frame	
9	SP309933000820	Bolt	M8x20
10	SP309084000416	Bolt	M4x16
11	SP311679800004	Washer	M4
12	SP533388	Oscillation Limiter	
13	SP533814	Lower Weight	
14	SP533717	Bolt	M8x150
15	SP309933000845	Bolt	M8x45

Lower Frame

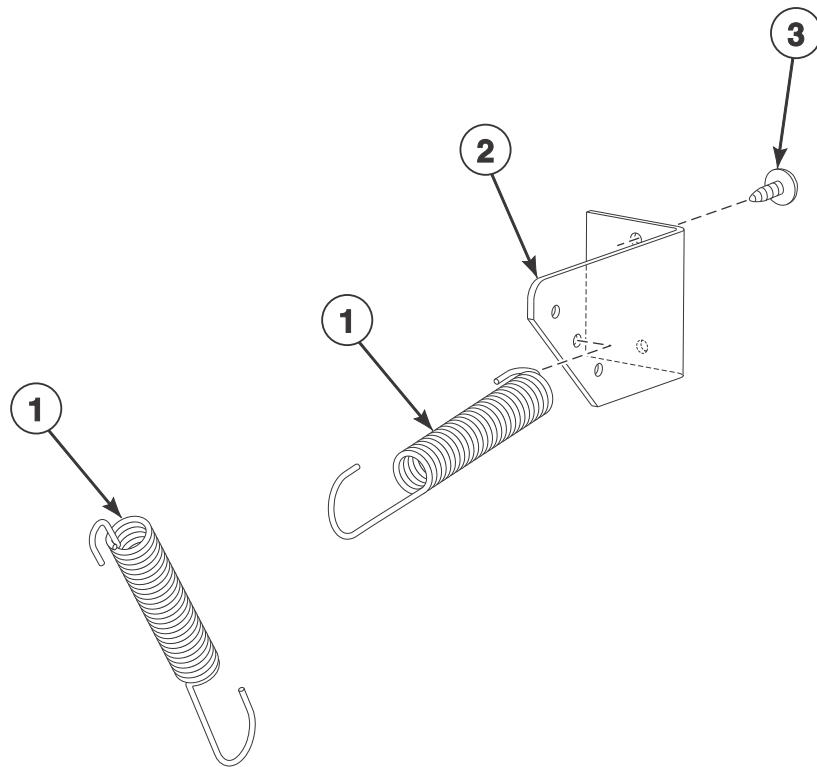


CZW60P_D2307

Lower Frame

REF	PART NO.	DESCRIPTION	COMMENTS
1	SP309084000416	Bolt	M4x16
2	SP311679800004	Washer	M4
3	SP311902100004	Washer	M4 - 4.3/12/1
4	SP547758	Vibration Switch Assembly	Includes items 1-7
5	SP547759	Vibration Switch Holder	
6	SP309084240325	Bolt	M3x25
7	SP311125000003	Washer	3.2
8	SP528309	Microswitch	Includes spring
9	SP311679800003	Washer	M3
10	SP310934000003	Nut	M3
11	SP533716	Damper	12 required
12	SP310985000010	Nut	M10
13	SP533873	Spring Holder	Left
14	SP310985000008	Nut	M8
15	SP533871	Spring	
16	SP309933000820	Bolt	M8x20
17	SP310934000020	Nut	M20
18	SP533872	Spring Holder	Right
19	SP533870	Spring	Right
20	SP533801	Lower Frame	
21	SP547779	Rivet	4x16.7
22	SP520408	Pin Insertion	
23	SPPRI504000001	Adjustable Foot	
24	SP310934000010	Nut	M10
25	SP533726	Bolt	
26	SP506432	Bolt	M10x60
27	SP311902100010	Washer	10
28	SP527420	Bolt	M10x40
	SP309931001050	Bolt	M10x50; Used with item 11
29	SP533727	Roller	

Stabilizing Springs - AF Non-Brand, HY, IY, J, NY, SY and UY Models

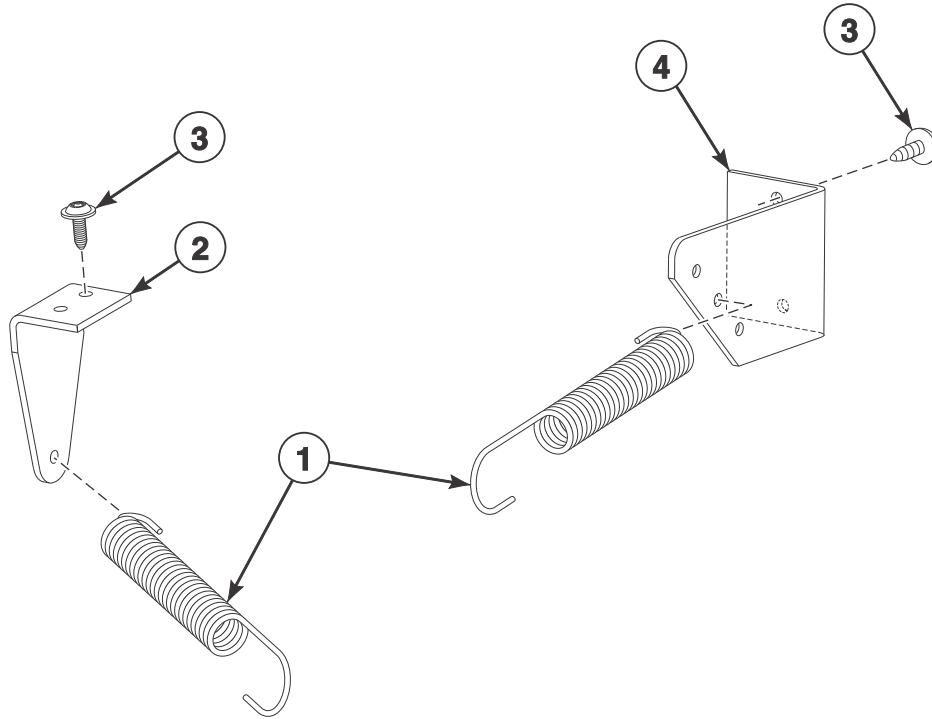


CFD2840P_D2307

Stabilizing Springs - AF Non-Brand, HY, IY, J, NY, SY and UY Models

REF	PART NO.	DESCRIPTION	COMMENTS
1	SP505372	Spring	
2	SP555495	Rear Spring Holder	
3	SP529206	Screw	4x11

Stabilizing Springs - AF, FX, HX, LP, LY, MWF, PY and SW Models



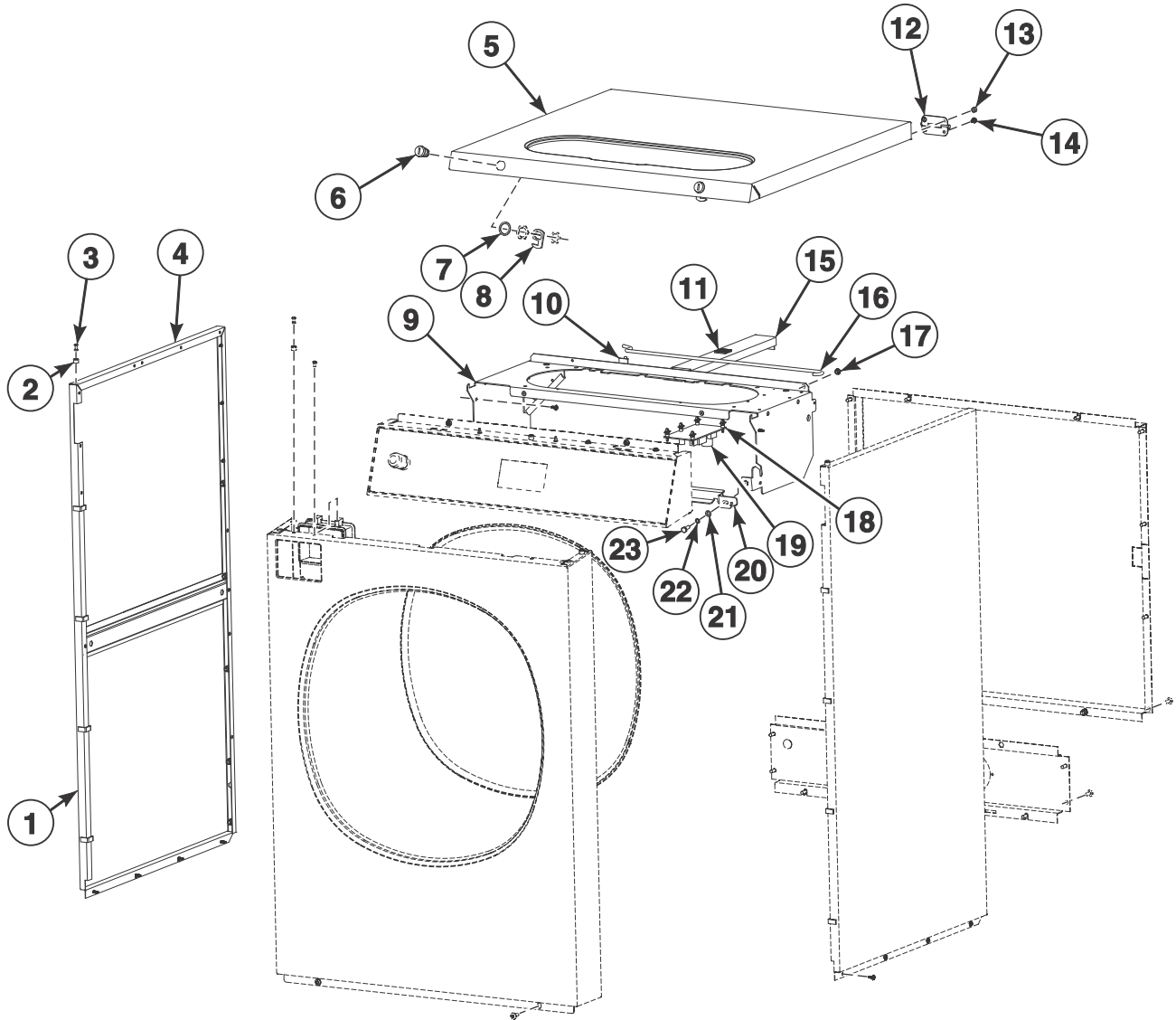
CFD2841P_D2307

Stabilizing Springs - AF, FX, HX, LP, LY, MWF, PY and SW Models

REF	PART NO.	DESCRIPTION	COMMENTS
1	SP505372	Spring	
2	N/A	Front Spring Holder	
3	SP529206	Screw	4x11
4	SP555495	Rear Spring Holder	

N/A = Part no longer available

Cabinet - AF Non-Brand, HY, NY, SY and UY Models (Drawing 1 of 2)

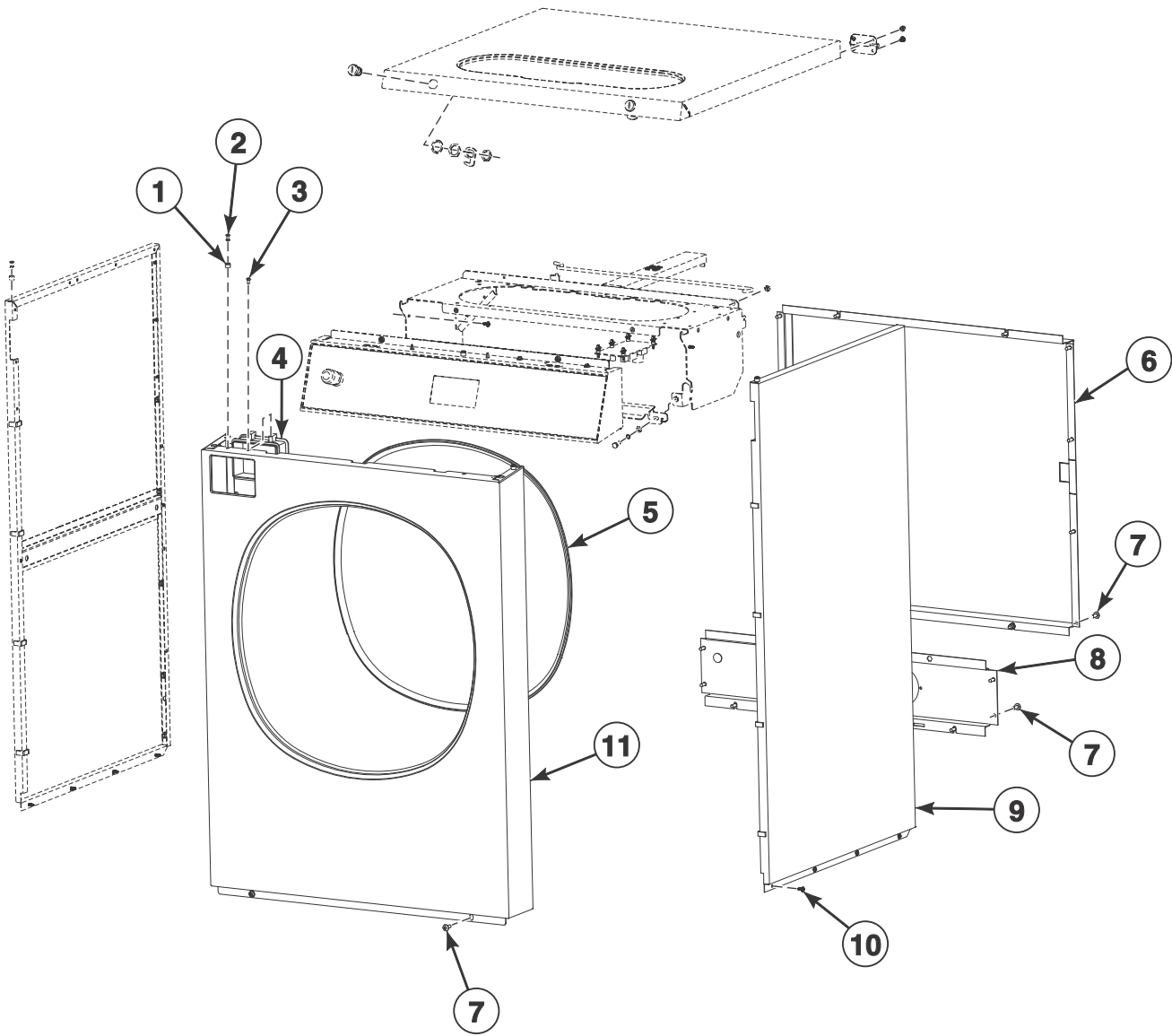


CZW25P_D2307

Cabinet - AF Non-Brand, HY, NY, SY and UY Models (Drawing 1 of 2)

REF	PART NO.	DESCRIPTION	COMMENTS
	SP552455	Automatic Door Opening Module Wiring	Used with SP552381 Power Terminal Protection
	SP245704003021	Adhesive	Loctite 243; Used with bolts
1	SP517232	Seal	
2	SP520408	Pin Insertion	
3	SP547779	Rivet	4x16.7
4	SP557024	Side Panel	Left; Stainless
	563512	Side Panel	AF Non-Brand and NY models; Left; Painted
5	SP557029	Top Cover	
	567879	Top Cover	Without soap hopper opening
6	SP547527	Lock	
	SP550616	Key	Used with SP547527 Lock
7	SPPRI522000012	Washer	21x27x1
8	SPPRI610002007	Hook Lock	Small
9	SP557623	Panel Holder	
10	SPPRI551016250	Hook	
11	SP550115	Fastener	
12	SP516832	Hinge	
13	SP313250048008	Rivet	4.8x8
14	SP555658	Bolt	6x16
15	SP547703	Top Cover Reinforcement	
16	SP533341	Upper Lid Prop	
17	SP273121005052	Cable Passage	5x2
18	SPPRI326002004	Holder	
19	SP552489	Automatic Unlocking Module Assembly	MC7; Includes item 18, SP553406 Automatic Door Opening Module, SP345000160971 Binding Strip, SP552455 Automatic Door Opening Module Wiring and SP552381 Power Terminal Protection
	SP545238	Automatic Unlocking Module Assembly	MC6; Includes item 18, SP547004 Automatic Door Opening Module, SP345000160971 Binding Strip and SP545235 Door Timer Wiring
20	SP558881	Reinforcement	
21	SP311125000006	Washer	6.4
22	SP311127000006	Washer	6
23	SP309933000616	Bolt	M6x16

Cabinet - AF Non-Brand, HY, NY, SY and UY Models (Drawing 2 of 2)



CZW26P_D2307

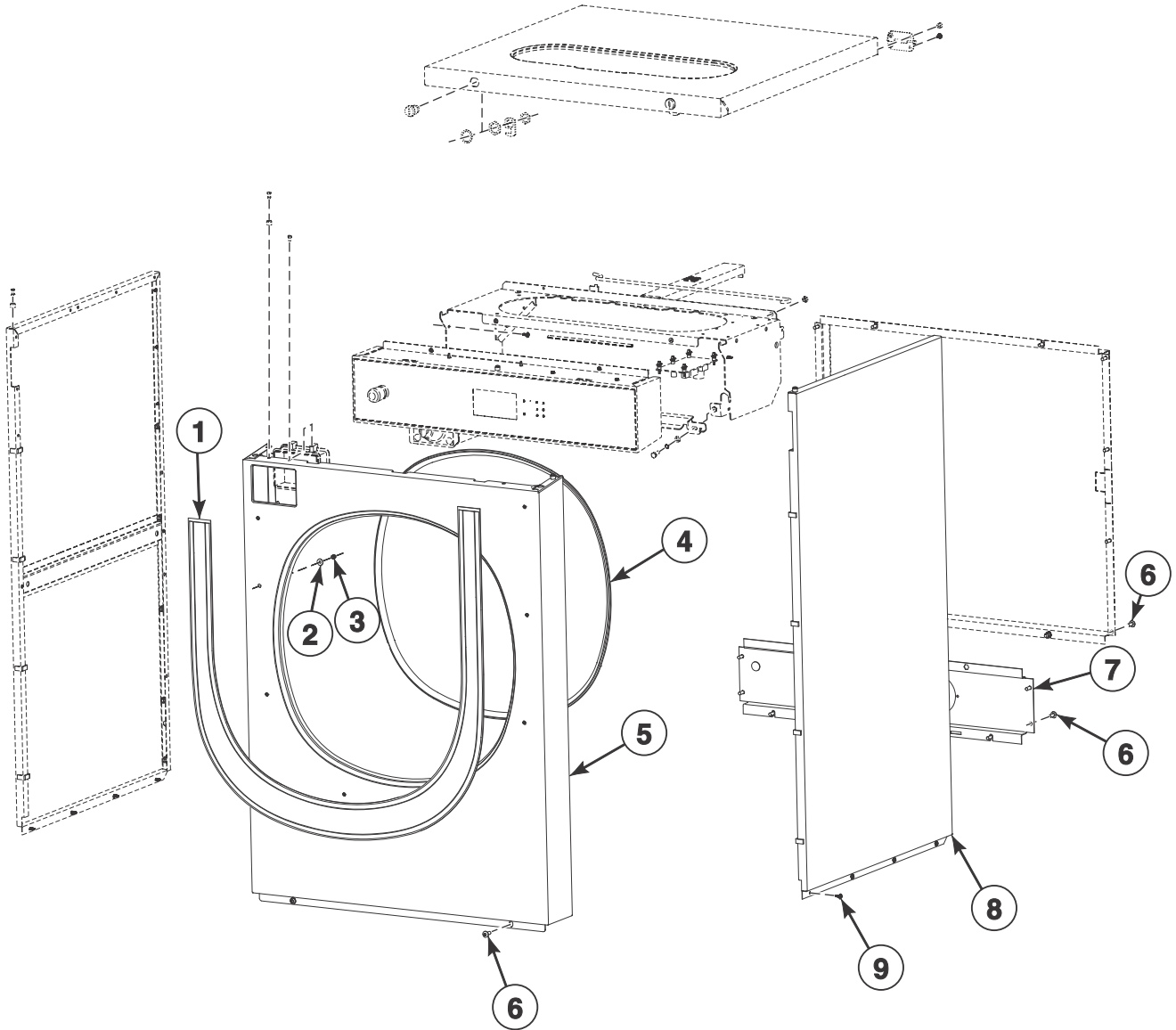
Cabinet - AF Non-Brand, HY, NY, SY and UY Models (Drawing 2 of 2)

REF	PART NO.	DESCRIPTION	COMMENTS
	564844	Label	UY models; CE; Wet cleaning
1	SP520408	Pin Insertion	
2	SP547779	Rivet	4x16.7
3	SP309084000408	Bolt	M4x8
4	SP533103	Coin Vault Plate	AF Non-Brand, NY and SY models; Vended
	566737	Coin Vault Plate	AF Non-Brand, NY and SY models starting Serial No. 240FX005163HQ; Vended; Large coin meter
5	SP529068	Edge Protection	
6	SP547882	Rear Cover	
7	SP555658	Bolt	M6x16
8	SP533384	Lower Rear Cover	
9	SP557025	Side Panel	Right; Stainless
	563514	Side Panel	AF Non-Brand and NY models starting Serial No. 240FX003144FH; Right; Painted
10	SP555658	Bolt	6x16
11	SP533280	Front Panel	OPL; Stainless
	563464	Front Panel	AF Non-Brand and NY models starting Serial No. 240FX003304FK; Vended; Painted
	563462	Front Panel	AF Non-Brand and NY models starting Serial No. 240FX002893FD; OPL; Painted
	SP533278	Front Panel	NY and SY models; Vended; Stainless
	568051	Front Panel	NY and SY models starting Serial No. 240FX005163HQ; Vended; Stainless steel; Large coin meter

Cabinet - IY and J Models (Drawing 1 of 2)

REF	PART NO.	DESCRIPTION	COMMENTS
	SP552455	Automatic Door Opening Module Wiring	Used with SP552381 Power Terminal Protection
	SP245704003021	Adhesive	Loctite 243; Used with bolts
1	SP517232	Seal	
2	SP520408	Pin Insertion	
3	SP547779	Rivet	4x16.7
4	SP557024	Side Panel	Stainless; Left
	SP558988	Side Panel	Black; Left
5	SP309084000408	Bolt	M4x8
6	SP533103	Coin Vault Plate	Vended
	566737	Coin Vault Plate	Large coin meter; Vended; Models starting Serial No. 240FX005163HQ
7	SPPRI505000058	Profiled Sealing	
8	SP560303	Panel Holder	
9	SPPRI522000012	Washer	21x27x1
10	SP547527	Lock	
	SP550616	Key	Used with SP547527 Lock
11	SP558937	Top Cover	
12	SPPRI610002007	Hook Lock	Small
13	SPPRI551016250	Hook	
14	SP550115	Fastener	
15	SP547703	Top Cover Reinforcement	
16	SP533341	Upper Lid Prop	
17	SP273121005052	Cable Passage	5x2
18	SP516832	Hinge	
19	SP313250048008	Rivet	4.8x8
20	SP555658	Bolt	
21	SP547882	Rear Cover	
22	SPPRI326002004	Holder	
23	SP552489	Automatic Unlocking Module Assembly	MC7; Includes item 22, SP553406 Automatic Door Opening Module, SP345000160971 Binding Strip, SP552455 Automatic Door Opening Module Wiring and SP552381 Power Terminal Protection
	SP545238	Automatic Unlocking Module Assembly	MC6; Includes item 22, SP547004 Automatic Door Opening Module, SP345000160971 Binding Strip and SP545235 Door Timer Wiring
24	SP558945	Reinforcement	
25	SP311125000006	Washer	6.4
26	SP311127000006	Washer	6
27	SP309933000616	Bolt	M6x16

Cabinet - IY and J Models (Drawing 2 of 2)

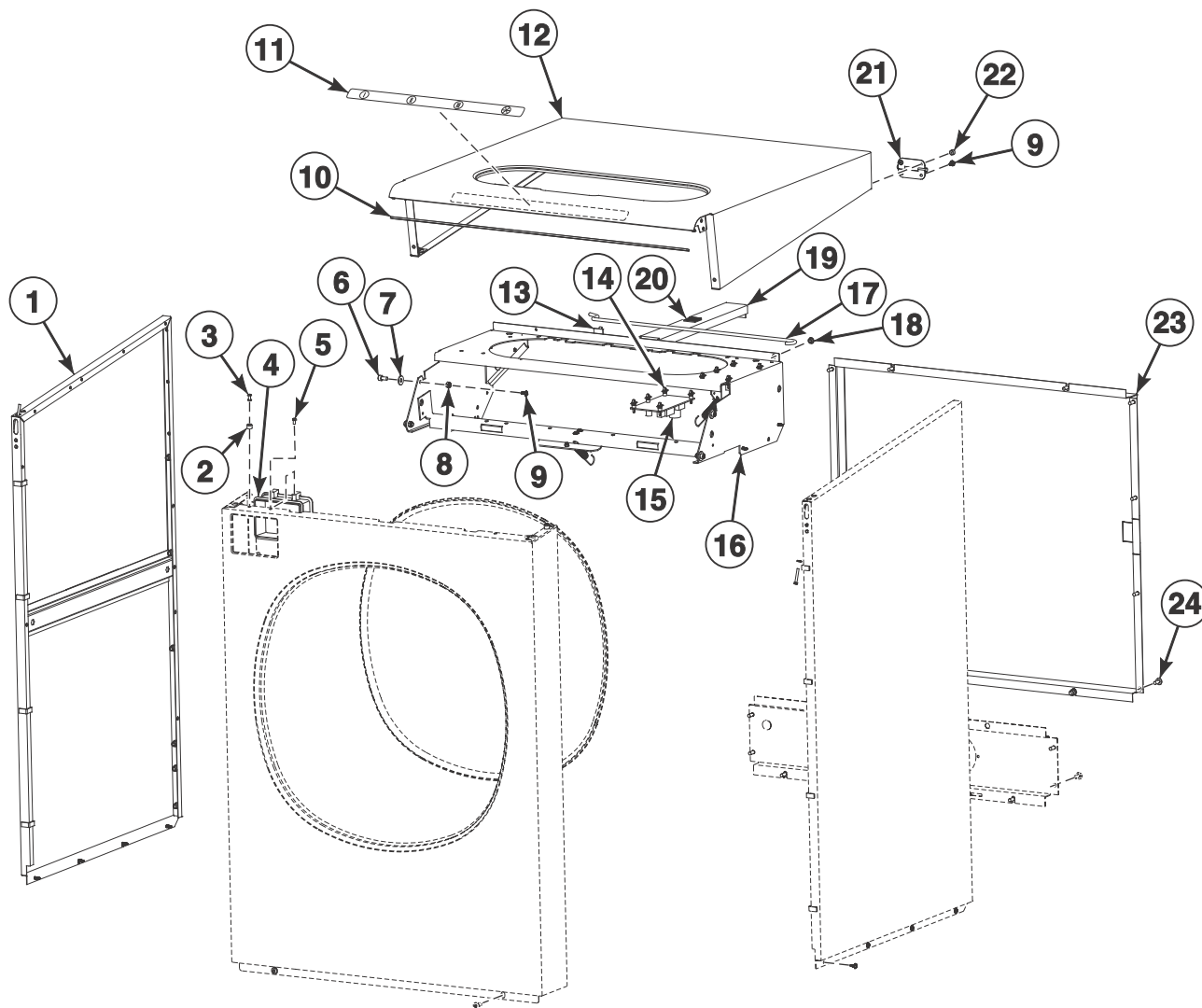


CZW28P_D2307

Cabinet - IY and J Models (Drawing 2 of 2)

REF	PART NO.	DESCRIPTION	COMMENTS
1	SP556999	U Shape	OPL
	SP557000	U Shape	Vended
	568063	U Shape	Vended; Large coin meter; Models starting Serial No. 240FX005276HS
2	SP311902100004	Washer	M4
3	SP514193	Nut	M4
4	SP529068	Edge Protection	
5	SP557058	Front Panel	OPL; Stainless
	SP557059	Front Panel	Vended; Stainless
	SP562726	Front Panel	J models; OPL; Stainless
	SP562727	Front Panel	J models; Vended; Stainless
	568061	Front Panel	Vended; Large coin meter; Models starting Serial No. 240FX005276HS
	568065	Front Panel	J models; Vended; Large coin meter; Models starting Serial No. xxxxxxxxx
6	SP555658	Bolt	M6x16
7	SP533384	Lower Rear Cover	
8	SP557025	Side Panel	Stainless; Right
	SP558990	Side Panel	Black; Right
9	SP555658	Bolt	

Cabinet - AF, FX, HX, LP, LY, MWF, PY and SW Models (Drawing 1 of 2)

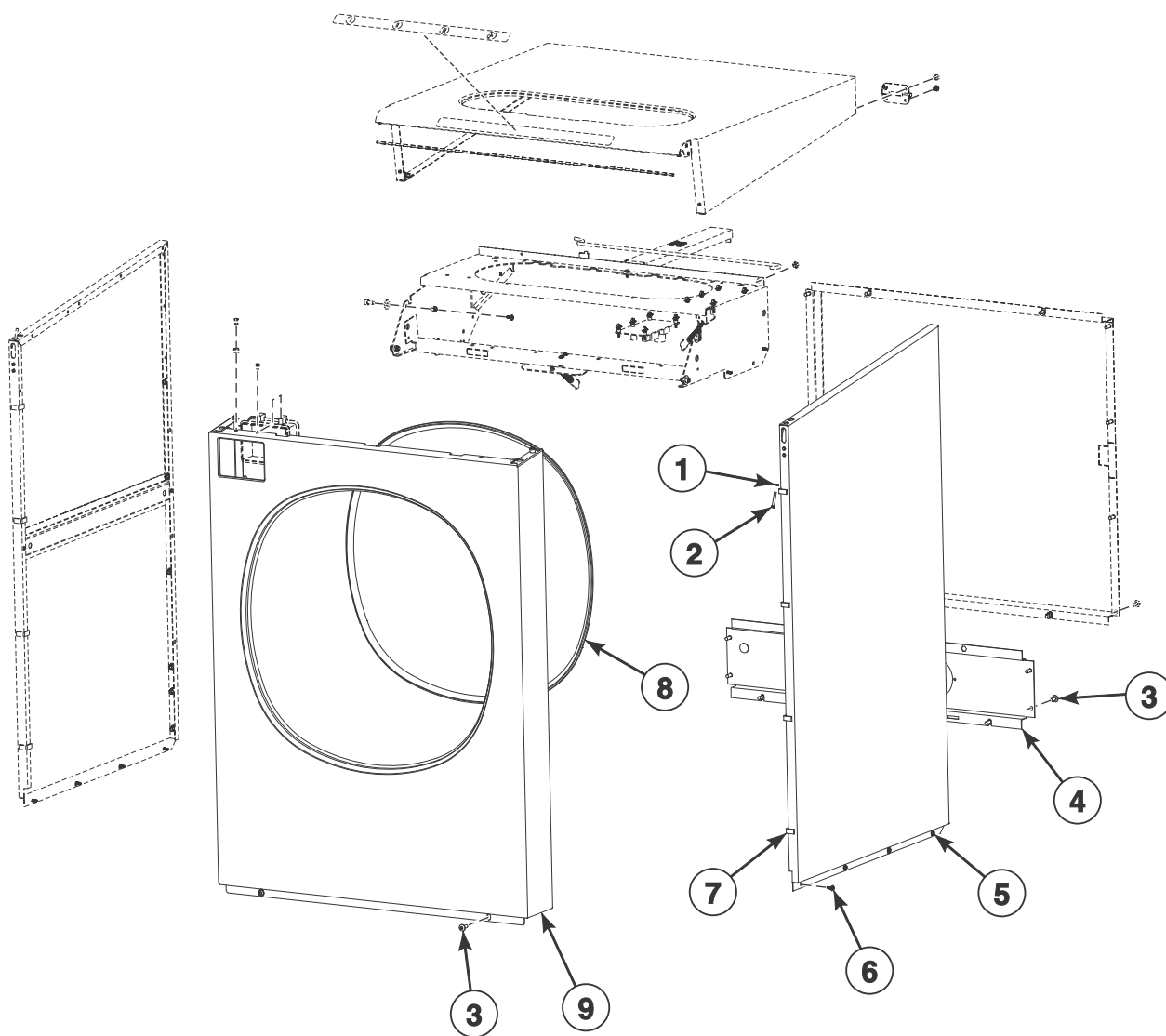


CZW29P_D2307

Cabinet - AF, FX, HX, LP, LY, MWF, PY and SW Models (Drawing 1 of 2)

REF	PART NO.	DESCRIPTION	COMMENTS
	SP552455	Automatic Door Opening Module Wiring	Used with SP552381 Power Terminal Protection
	SP245704003021	Adhesive	Loctite 243; Used with bolts
1	SP550330	Side Panel	Models through Serial No. 240FX002892FD; Painted; Left
	563484	Side Panel	Models starting Serial No. 240FX002893FD; Painted; Left
	SP550354	Side Panel	Stainless; Left
2	SP520408	Pin Insertion	
3	SP547779	Rivet	4x16.7
4	SP533103	Coin Vault Plate	
	566737	Coin Vault Plate	Large coin meter; Vended; Models starting Serial No. 240FX005163HQ
5	SP309084000408	Bolt	M4x8
6	SP506431	Bolt	M6x12
7	SP311902100006	Washer	6
8	SP310985000006	Nut	M6
9	SP529206	Screw	4x11
10	SP284000012003	Tape	
11	560786	Label	Soap hopper; PYN models; CSA; Vended
12	SP550309	Top Cover	AF, FX, HX, LP, LY, MWF and PY models
	SP555670	Top Cover	Without soap hopper opening
13	SPPRI551016250	Hook	
14	SPPRI326002004	Holder	
15	SP552489	Automatic Unlocking Module Assembly	MC7; Includes item 14, SP553406 Automatic Door Opening Module, SP345000160971 Binding Strip, SP552455 Automatic Door Opening Module Wiring and SP552381 Power Terminal Protection
	SP545238	Automatic Unlocking Module Assembly	MC6; Includes item 14, SP547004 Automatic Door Opening Module, SP345000160971 Binding Strip and SP545235 Door Timer Wiring
16	SP533296	Panel Holder	
17	SP533341	Upper Lid Prop	
18	SP273121005052	Cable Passage	5x2
19	SP547703	Top Cover Reinforcement	
20	SP550115	Fastener	
21	SP516832	Hinge	
22	SP555658	Bolt	M6x16
23	SP547882	Rear Cover	
24	SP313250048008	Rivet	4.8x8

Cabinet - AF, FX, HX, LP, LY, MWF, PY and SW Models (Drawing 2 of 2)

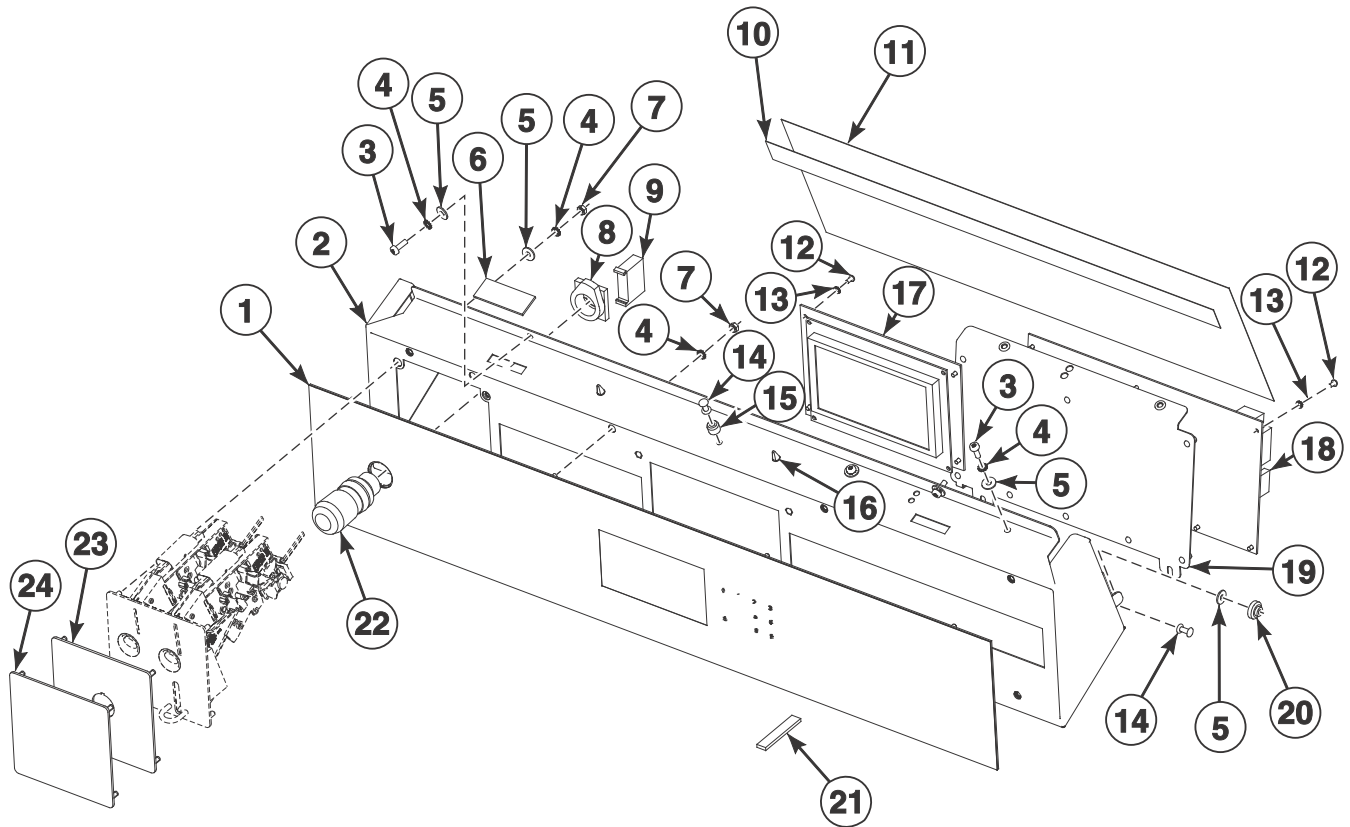


CZW30P_D2307

Cabinet - AF, FX, HX, LP, LY, MWF, PY and SW Models (Drawing 2 of 2)

REF	PART NO.	DESCRIPTION	COMMENTS
1	SP311679800004	Washer	M4
2	SP550482	Bolt	M4x25
3	SP555658	Bolt	M6x16
4	SP533384	Lower Rear Cover	
5	SP550332	Side Panel	Models through Serial No. 240FX002892FD; Painted; Right; CE and Watermark
	563486	Side Panel	Models starting Serial No. 240FX002893FD; Painted; Right; CE and Watermark
	SP550356	Side Panel	Stainless; Right
6	SP529206	Screw	4x11
7	SP517232	Seal	
8	SP529068	Edge Protection	
9	SP533211	Front Panel	Models through Serial No. 240FX002892FD; OPL; Painted; CE and Watermark
	563462	Front Panel	Models starting Serial No. 240FX002893FD; OPL; Painted; CE and Watermark
	SP533213	Front Panel	Models through Serial No. 240FX003303FK; Vended; Painted; CE and Watermark
	563464	Front Panel	Models starting Serial No. 240FX003304FK; Vended; Painted; CE and Watermark
	SP533280	Front Panel	OPL; Stainless
	SP533278	Front Panel	Vended; Stainless
	568051	Front Panel	Models starting Serial No. 240FX005163HQ; Vended; Stainless steel; Large coin meter
	568049	Front Panel	Models starting Serial No. 240FX005163HQ; Vended; Painted; Large coin meter; CE and Watermark

Control Panel - AF Non-Brand, HY, NY, SY and UY Models

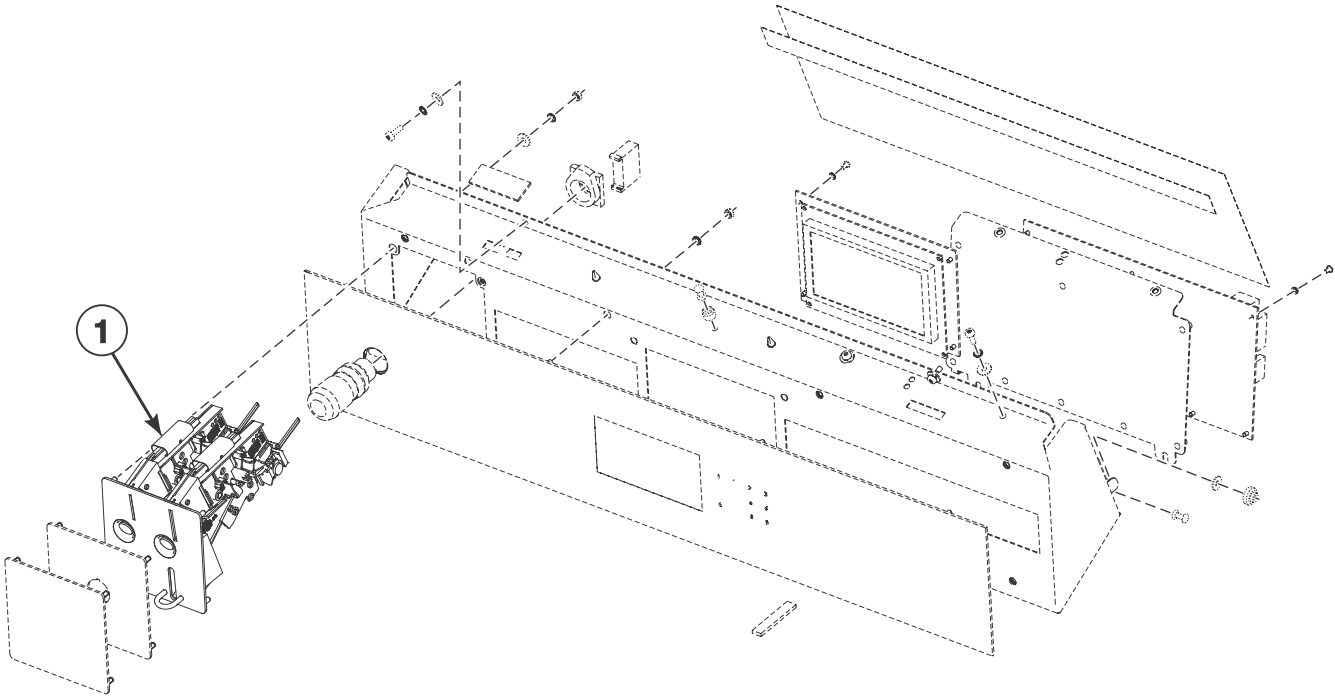


CFD2893P_D2307

Control Panel - AF Non-Brand, HY, NY, SY and UY Models

REF	PART NO.	DESCRIPTION	COMMENTS
	F8600501	Programming Cable	
1	SP557584	Keyboard	HY models; OPL
	SP547030	Keyboard	AF Non-Brand and NY models; OPL; Professional; Black
	SP547029	Keyboard	AF Non-Brand and NY models; OPL; Basic; Black
	SP547027	Keyboard	AF Non-Brand and NY models; Vended; Basic; Black
	SP547028	Keyboard	AF Non-Brand and NY models; CPS; Basic; Black
	SP557577	Keyboard	SY models; OPL
	SP557578	Keyboard	SY models; Vended
	SP557581	Keyboard	UY models; OPL
2	SP557585	Control Panel	
3	SP555504	Bolt	M4x12
4	SP311679800004	Washer	M4
5	SP311902100004	Washer	M4
6	SPMEC001410	Self-Adhesive Pad	
7	SP310934000004	Nut	M4
8	SP528311	Emergency Stop Connector	OPL
9	SP528312	Switching Unit	
10	SP510846	Tape	
11	SPPRI543000004	Cover	
12	SP309798500306	Bolt	M3x6
13	SP311679800003	Washer	M3
14	SP547779	Rivet	4x16.7
15	SP520408	Pin Insertion	
16	SP528313	Cable Holder	
17	SP553412	Control Board	MC7
	SP553411	Control Board	MC7; NY models
18	SP553405	Control Board Power	MC7
	SP547005	Board Interconnection Cable	
19	SP557618	Programmer Holder	
20	SP550113	Leading Pin	
21	SP284000012003	Tape	
22	SP528310	Emergency Stop Knob	OPL
	SP520032	Emergency Stop Wiring	OPL
	SP520033	Emergency Stop Interconnection	AF Non-Brand, NY and SY models; Vended
23	SP558929	Coin Meter Cover Plate	SY models; Black
24	SP558930	CPS Cover Plate	SY models; Black

Control Panel - AF Non-Brand, NY and SY Vended, CE and Watermark Models (Drawing 1 of 3)

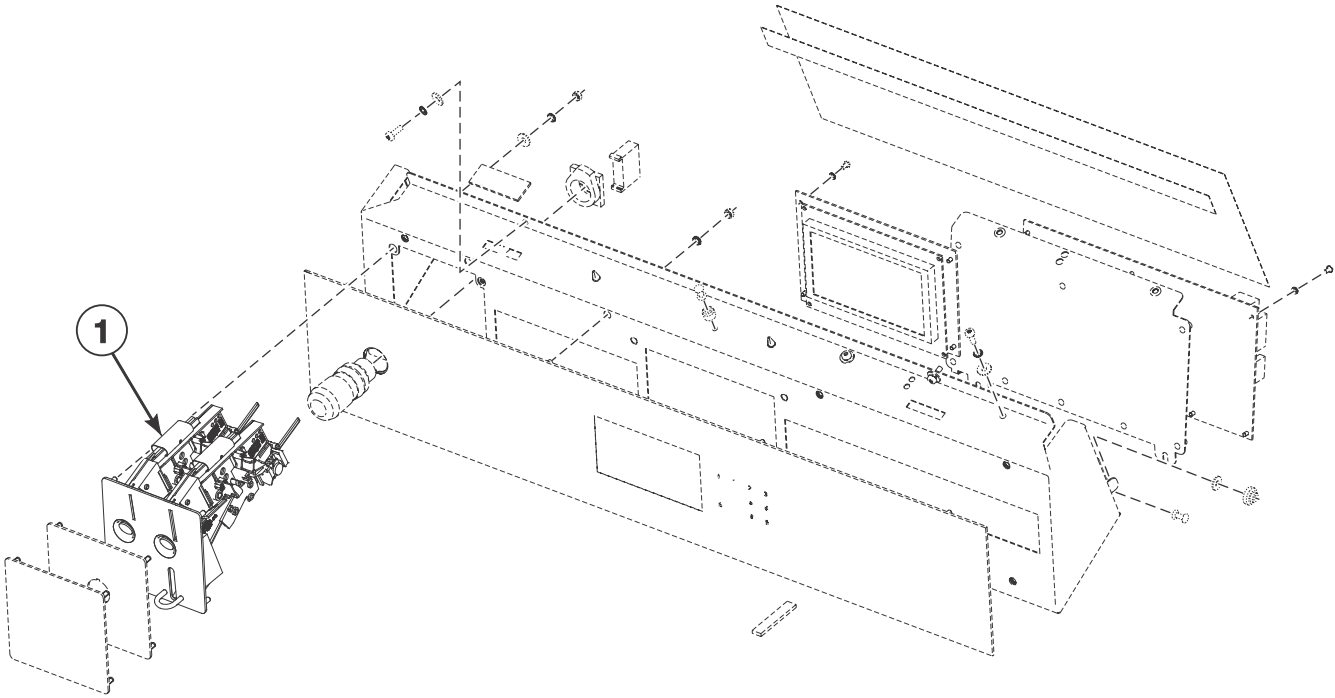


CFD2894P_D2307

Control Panel - AF Non-Brand, NY and SY Vended, CE and Watermark Models (Drawing 1 of 3)

REF	PART NO.	DESCRIPTION	COMMENTS
1	SP547601	Coin Meter	5K Primus jeton
	SP547602	Coin Meter	7K Primus jeton
	SP547603	Coin Meter	10K Primus jeton
	SP547604	Coin Meter	12K Primus jeton
	SP547605	Coin Meter	15K Primus jeton
	SP547606	Coin Meter	D jeton
	SP547648	Coin Meter	0.05EUR
	SP547638	Coin Meter	0.2EUR
	SP547616	Coin Meter	0.5EUR
	SP547614	Coin Meter	1EUR
	SP547647	Coin Meter	2EUR
	SP547622	Coin Meter	0.2EUR + 0.5EUR
	SP547639	Coin Meter	0.2EUR + 1EUR
	SP547617	Coin Meter	0.5EUR + 1EUR
	SP547656	Coin Meter	0.5EUR + 2EUR
	SP547631	Coin Meter	1EUR + 2EUR
	SP547652	Coin Meter	7K + D jeton
	SP547666	Coin Meter	7K jeton and 2EUR
	SP547665	Coin Meter	D jeton and 2EUR
	SP547600	Coin Meter	1AUD + 20C
	SP547607	Coin Meter	1POND + 20PC
	SP547608	Coin Meter	1POND + 50PC
	SP547609	Coin Meter	100YEN
	SP547610	Coin Meter	500JPY + 100JPY
	SP547611	Coin Meter	5DKK
	SP547612	Coin Meter	20DKK
	SP547613	Coin Meter	5ILS + 1ILS
	SP547615	Coin Meter	1MYR
	SP547618	Coin Meter	1DKK + 5DKK
	SP547619	Coin Meter	10NOK + 20NOK
	SP547620	Coin Meter	2DKK + 5DKK
	SP547621	Coin Meter	5NOK
	SP547623	Coin Meter	1NZD + 2NZD
	SP547624	Coin Meter	10 NOK
	SP547625	Coin Meter	10NT + 50NT
	SP547626	Coin Meter	2DKK
	SP547627	Coin Meter	Lucky Winner jeton
	SP547628	Coin Meter	10TWD
	SP547629	Coin Meter	10CZK + 20CZK
	SP547630	Coin Meter	7K Equipos Par Lavar jeton
	569921	Coin Meter	0.2GBP, 0.5GBP, 1GBP, 2GBP / 0.1EUR, 0.2EUR, 0.5EUR, 1EUR, 2EUR; Electronic EMPv7
	SP547634	Coin Meter	500WON
	SP547635	Coin Meter	0.25USD
	SP547636	Coin Meter	1AUD + 2AUD
	SP547637	Coin Meter	5DK + 10DK
	SP547640	Coin Meter	Sun Wash jeton

Control Panel - AF Non-Brand, NY and SY Vended, CE and Watermark Models (Drawing 2 of 3)

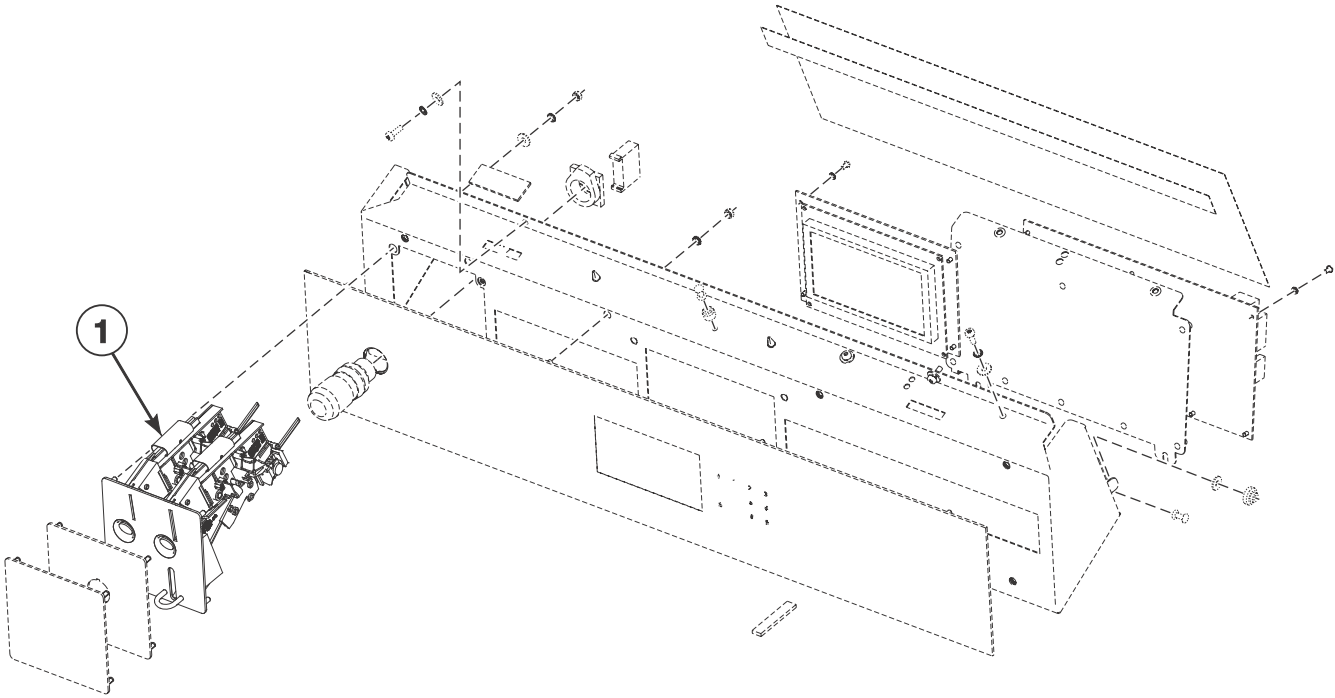


CFD2894P_D2307

Control Panel - AF Non-Brand, NY and SY Vended, CE and Watermark Models (Drawing 2 of 3)

REF	PART NO.	DESCRIPTION	COMMENTS
1	SP547641	Coin Meter	2DK + 10DK
	SP547642	Coin Meter	1AUD
	SP547643	Coin Meter	1CHF
	SP547644	Coin Meter	5NOK + 10NOK
	SP547645	Coin Meter	1 TopMos jeton + 1"LEV" jeton
	SP547646	Coin Meter	1 Vendo jeton
	SP547649	Coin Meter	1 jeton
	569951	Coin Meter	0.5MAD, 1MAD, 2MAD, 5MAD, 10MAD; Electronic EMPv7
	SP547651	Coin Meter	20 penny
	SP547653	Coin Meter	1 Wascator jeton, jeton diameter 22.2 mm
	SP547654	Coin Meter	1 Unibel jeton, jeton diameter 18.55 mm
	SP547657	Coin Meter	50HUF + 100HUF
	SP547658	Coin Meter	1 jeton without coining, jeton diameter 20 mm
	SP547659	Coin Meter	1 Volund jeton, jeton diameter 22.5 mm
	SP547660	Coin Meter	1 Wascator jeton, jeton diameter 19 mm
	SP547661	Coin Meter	1 Miele jeton
	SP547662	Coin Meter	1 jeton without coining, jeton diameter 26 mm
	SP547663	Coin Meter	Three-groove jeton; jeton diameter 27 mm
	SP547664	Coin Meter	Three-groove jeton; jeton diameter 25 mm
	SP537996	Coin Meter	Top-Mosr jeton
	SP547667	Coin Meter	Milano Italy jeton
	SP547668	Coin Meter	5PLN + 1PLN
	SP547669	Coin Meter	Two-grooves jeton; jeton diameter 27 mm
	SP547670	Coin Meter	A.S.A.R.D. jeton, jeton diameter 25.8 mm
	SP547671	Coin Meter	20CZK
	SP547672	Coin Meter	Jeton ASARD, jeton diameter 22.3 mm
	SP547673	Coin Meter	Jeton Laundromatic Belgium, jeton diameter 22.3 mm
	SP547674	Coin Meter	1SGD
	SP547675	Coin Meter	Jeton Asard Wascator, jeton diameter 19.9 mm
	SP555502	Coin Meter	Easy Games jeton
	SP555543	Coin Meter	Brev.C jeton
	SP555546	Coin Meter	50 Malaysian cent
	SP555549	Coin Meter	Flat Polis jeton
	SP555550	Coin Meter	Butzi Wash jeton
	SP555578	Coin Meter	1SGD, (new Singapore dollar)
	SP555558	Coin Meter	Copper without grooves jeton
	569939	Coin Meter	0.1SGD, 0.2SGD, 0.5SGD, 1SGD; Electronic EMPv7
	SP555666	Coin Meter	2x50 Malaysian cent
	569933	Coin Meter	0.1EUR, 0.2EUR, 0.5EUR, 1EUR, 2EUR, Electronic EMPv7
	SP555559	Coin Meter	Speedy Matic jeton
	SP555579	Coin Meter	Was-Salon Lavoir jeton
	569948	Coin Meter	5CZK, 10CZK, 20CZK, 50CZK; Electronic EMPv7
	SP560744	Coin Meter	Electronic for Dobi Ekspres jeton
	569964	Coin Meter	0.2GBP, 0.5GBP, 1GBP, 2GBP / 0.1EUR, 0.2EUR, 0.5EUR, 1EUR, 2EUR / jeton KWL Auga / jeton Gettone; Electronic EMPv7
	SP560089	Coin Meter	STD 118-1 jeton
	SP560082	Coin Meter	5k IPSO jeton

Control Panel - AF Non-Brand, NY and SY Vended, CE and Watermark Models (Drawing 3 of 3)

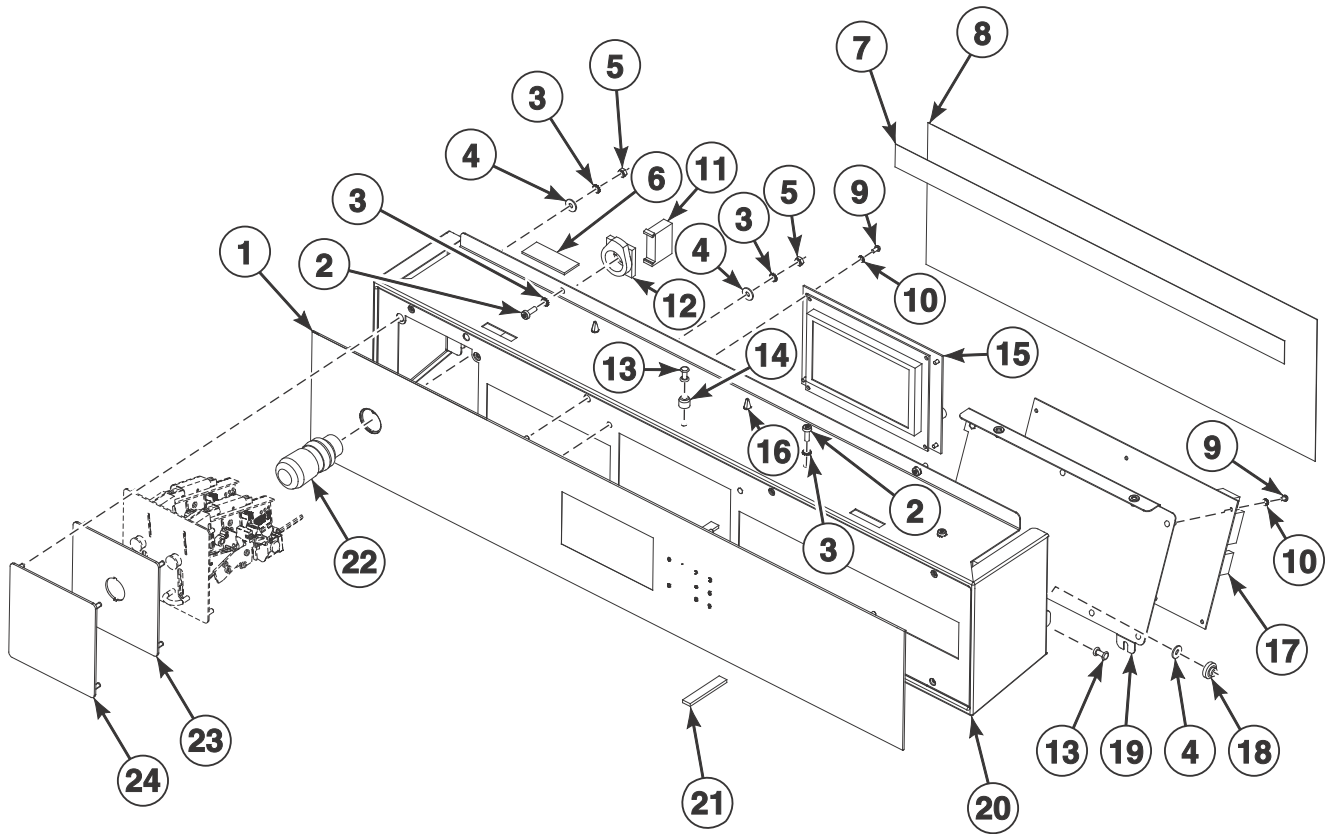


CFD2894P_D2307

Control Panel - AF Non-Brand, NY and SY Vended, CE and Watermark Models (Drawing 3 of 3)

REF	PART NO.	DESCRIPTION	COMMENTS
1	SP560083	Coin Meter	7k IPSO jeton
	SP560084	Coin Meter	10k IPSO jeton
	SP560085	Coin Meter	12k IPSO jeton
	SP560086	Coin Meter	15k IPSO jeton
	561378	Coin Meter	10 Moroccan Dirham
	569918	Coin Meter	0.25USD, 1USD / 0.25CAD, 1CAD, 2CAD; Electronic EMPv7
	560073	Coin Meter	0.25USD / 1USD
	569930	Coin Meter	1CNY / 0.1MYR, 0.2MYR, 0.5MYR; Electronic EMPv7
	569927	Coin Meter	0.2AUD, 1AUD, 2AUD / 1NZD, 2NZD / 5HKD, 10HKD / 500KRW; Electronic EMPv7
	561496	Coin Meter	Jeton Grupo Azkoyen CDS Automaten
	569936	Coin Meter	1PHP, 5PHP, 10PHP; Electronic EMPv7
	569942	Coin Meter	0.1MYR, 0.2MYR, 0.5MYR / 0.5SGD, 1SGD; Electronic EMPv7
	569945	Coin Meter	1HRK, 2HRK, 5HRK; Electronic EMPv7
	569924	Coin Meter	1DKK, 2DKK, 5DKK, 10DKK, 20DKK / 1NOK, 5NOK, 10NOK, 20NOK / 0.5EUR, 1EUR, 2EUR; Electronic EMPv7
	564484	Coin Meter	Jeton 118-5
	564486	Coin Meter	Jeton Barisart LDL
	569961	Coin Meter	0.1EUR, 0.2EUR, 0.5EUR, 1EUR, 2EUR / 5K IPSO jeton; Electronic EMPv7
	564489	Coin Meter	Jeton Sporrong
	569970	Coin Meter	0.5MYR / jeton DobiPapa 22.5x2; Electronic EMPv7
	553150	Coin Meter	Jeton with hole
	553151	Coin Meter	Jeton Deton Wash
	569967	Coin Meter	0.1EUR, 0.2EUR, 0.5EUR, 1EUR, 2EUR / jeton G-Fis Lavoir Bianca 20x1.8; Electronic EMPv7
	569973	Coin Meter	1AUD, 2AUD / jeton No Cash Value 28.6x1.58; Electronic EMPv7
	569979	Coin Meter	0.5MYR / jeton BUBBLELAB; Electronic EMPv7
	569954	Coin Meter	1PLN, 2PLN, 5PLN, / 0.1EUR, 0.2EUR, 0.5EUR, 1EUR, 2EUR / ISK10, ISK50, ISK100; Electronic EMPv7

Control Panel - IY and J Models

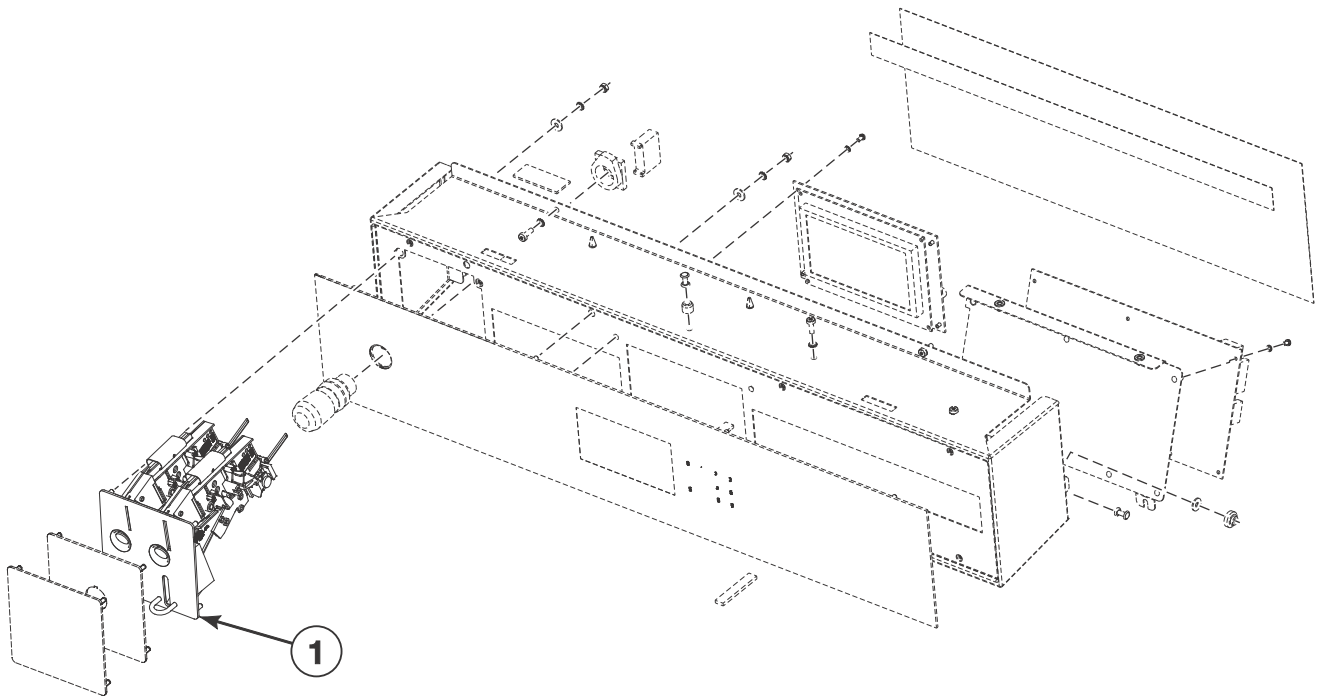


CFD2895P_D2307

Control Panel - IY and J Models

REF	PART NO.	DESCRIPTION	COMMENTS
	SP557744	USB Connection	J models
	567186	Label	IY models; CE; Wet cleaning
1	SP557571	Keyboard	IY models; Aries Elite; OPL
	SP557572	Keyboard	IY models; Aries; Vended
	SP560763	Keyboard	IY models; Without logo; With numeric keypad; OPL
	SP560764	Keyboard	IY models; Without logo; Without numeric keypad; Vended
	SP559376	Keyboard	J 50 models; OPL
	F8600501	Programming Cable	
2	SP555504	Bolt	M4x12
3	SP311679800004	Washer	M4
4	SP311902100004	Washer	M4
5	SP310934000004	Nut	M4
6	SPMEC001410	Self-Adhesive Pad	
7	SP510846	Tape	
8	SPPRI543000004	Cover	
9	SP309798500306	Bolt	M3x6
10	SP311679800003	Washer	M3
11	SP528312	Switching Unit	
12	SP528311	Emergency Stop Connector	
13	SP547779	Rivet	4x16.7
14	SP520408	Pin Insertion	
15	SP553419	Control Board	MC7
	SP553411	Control Board	MC7; J models
16	SP528313	Cable Holder	
17	SP553405	Control Board Power	MC7
	SP547005	Board Interconnection Cable	
18	SP550113	Leading Pin	
19	SP558896	Programmer Holder	
20	SP558907	Control Panel	
21	SP284000012003	Tape	
22	SP528310	Emergency Stop Knob	OPL
	SP520032	Emergency Stop Wiring	OPL
	SP520033	Emergency Stop Interconnection	Vended
23	SP558929	Coin Meter Cover Plate	OPL
24	SP558930	CPS Cover Plate	Vended

Control Panel - IY and J Vended, CE and Watermark Models (Drawing 1 of 2)

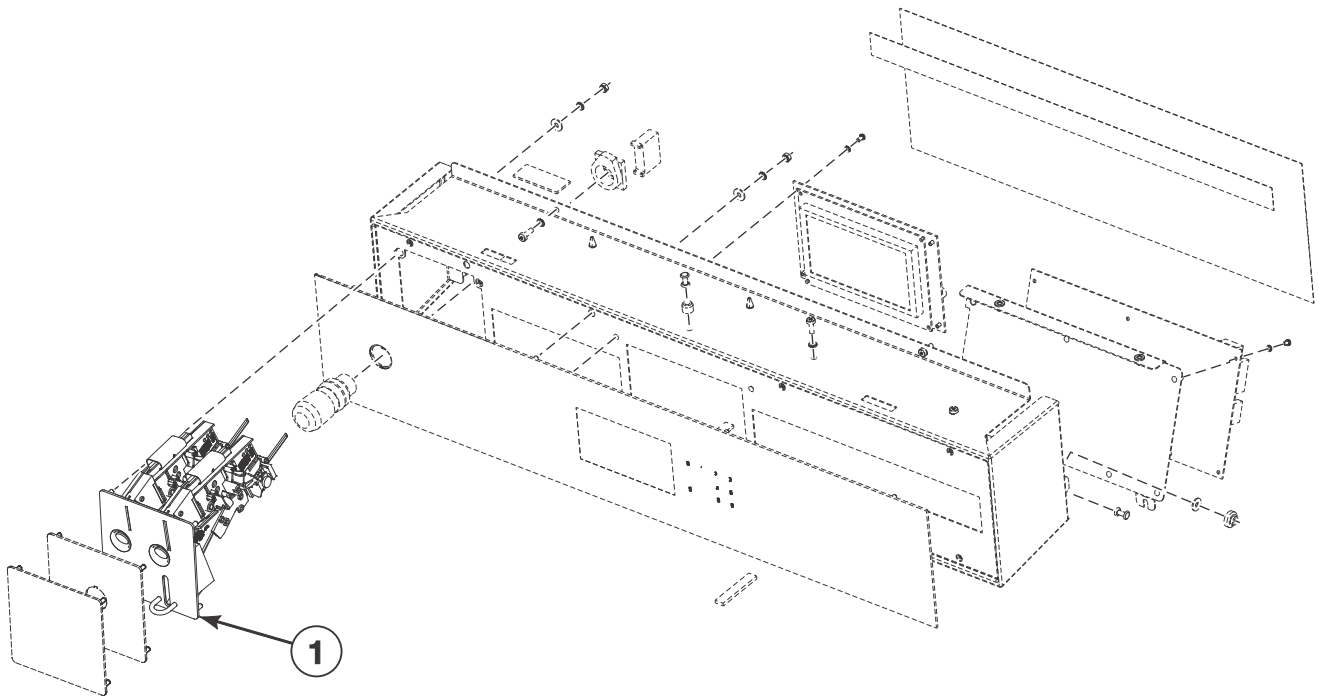


CZW51P_D2307

Control Panel - IY and J Vended, CE and Watermark Models (Drawing 1 of 2)

REF	PART NO.	DESCRIPTION	COMMENTS
1	569922	Coin Meter	0.2GBP, 0.5GBP, 1GBP, 2GBP / 0.1EUR, 0.2EUR, 0.5EUR, 1EUR, 2EUR; Electronic EMPv7
	SP558958	Coin Meter	0.25USD
	SP558959	Coin Meter	0.5EUR + 1EUR
	SP560310	Coin Meter	1EUR
	SP560311	Coin Meter	0.5EUR
	SP560312	Coin Meter	1EUR + 2EUR
	SP559933	Coin Meter	5K Primus jeton
	SP559934	Coin Meter	10K Primus jeton
	569965	Coin Meter	0.2GBP, 0.5GBP, 1GBP, 2GBP / 0.1EUR, 0.2EUR, 0.5EUR, 1EUR, 2EUR / jeton KWL Aqua / jeton Gettone; Electronic EMPv7
	SP559938	Coin Meter	STD 118-1 jeton
	SP560309	Coin Meter	7K Primus jeton
	SP560405	Coin Meter	12K Primus jeton
	SP560406	Coin Meter	15K Primus jeton
	SP560407	Coin Meter	2EUR
	SP560408	Coin Meter	0.2EUR + 0.5EUR
	SP560409	Coin Meter	0.2EUR
	SP560410	Coin Meter	1EUR + 0.2EUR
	SP560411	Coin Meter	2EUR + 0.5EUR
	SP560412	Coin Meter	1AUD + 0.2AUD
	SP560413	Coin Meter	1 pound + 20PC
	SP560414	Coin Meter	1 pound + 50PC
	SP560415	Coin Meter	100JPY
	SP560416	Coin Meter	500JPY + 100JPY
	SP560417	Coin Meter	1AUD + 2AUD
	SP560418	Coin Meter	1AUD
	SP560419	Coin Meter	20PC
	SP560420	Coin Meter	50 Malaysian cent
	SP560421	Coin Meter	1SGD (new Singaporean dollar)
	SP560422	Coin Meter	2MYR + 0.5MYR
	SP560423	Coin Meter	1SGD
	SP560424	Coin Meter	1NZD + 2NZD
	SP560425	Coin Meter	Easy games jeton
	SP560426	Coin Meter	Flat polis jeton
	SP560427	Coin Meter	Butzi wash jeton
	SP560428	Coin Meter	Speedy matic jeton
	SP560429	Coin Meter	Laundromatic Belgium jeton, (jeton diameter 22.3 mm)
	569940	Coin Meter	0.1SGD, 0.2SGD, 0.5SGD, 1SGD; Electronic EMPv7
	569934	Coin Meter	0.1EUR, 0.2EUR, 0.5EUR, 1EUR, 2EUR; Electronic EMPv7
	SP560432	Coin Meter	500WON
	SP560745	Coin Meter	Dobi ekspres jeton
	SP560751	Coin Meter	Lucky Winner jeton
	SP559969	Coin Meter	Gettone jeton
	SP559949	Coin Meter	10 Taiwan dollar
	SP560090	Coin Meter	5K Ipso jeton
	SP560091	Coin Meter	7K Ipso jeton

Control Panel - IY and J Vended, CE and Watermark Models (Drawing 2 of 2)

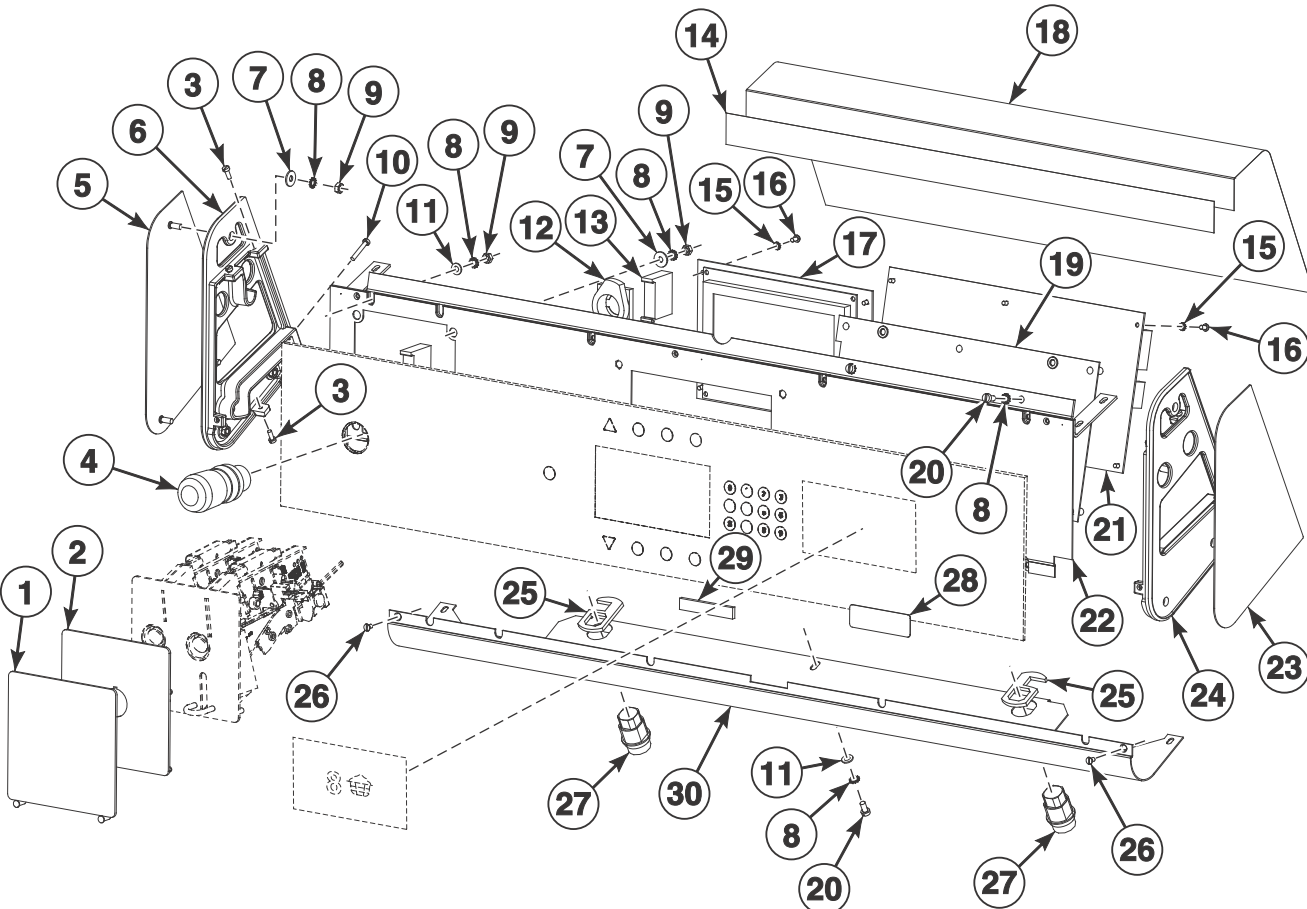


CZW51P_D2307

Control Panel - IY and J Vended, CE and Watermark Models (Drawing 2 of 2)

REF	PART NO.	DESCRIPTION	COMMENTS
1	SP560092	Coin Meter	10K Ipso jeton
	SP560093	Coin Meter	12K Ipso jeton
	SP560094	Coin Meter	15K Ipso jeton
	SP560100	Coin Meter	Electrolux Asard jeton
	SP560087	Coin Meter	Gettone jeton
	569925	Coin Meter	1DKK, 2DKK, 5DKK, 10DKK, 20DKK / 1NOK, 5NOK, 10NOK, 20NOK / 0.2EUR, 0.5EUR, 1EUR, 2EUR; Electronic EMPv7
	569928	Coin Meter	0.2AUD, 1AUD, 2AUD / 1NZD, 2NZD / 5HKD, 10HKD / 500KRW; Electronic EMPv7
	569931	Coin Meter	1CNY / 0.1MYR, 0.2MYR, 0.5MYR; Electronic EMPv7
	569937	Coin Meter	1PHP, 5PHP, 10PHP; Electronic EMPv7
	569943	Coin Meter	0.1MYR, 0.2MYR, 0.5MYR / 0.5SGD, 1SGD; Electronic EMPv7
	569946	Coin Meter	1HRK, 2HRK, 5HRK; Electronic EMPv7
	569949	Coin Meter	5CZK, 10CZK, 20CZK, 50CZK; Electronic EMPv7
	569952	Coin Meter	0.5MAD, 1MAD, 2MAD, 5MAD, 10MAD; Electronic EMPv7
	569962	Coin Meter	0.1EUR, 0.2EUR, 0.5EUR, 1EUR, 2EUR / 5K IPSO jeton; Electronic EMPv7
	569971	Coin Meter	0.5MYR / jeton DobiPapa 22.5x2; Electronic EMPv7
	569919	Coin Meter	0.25USD, 1USD / 0.25CAD, 1CAD, 2CAD; Electronic EMPv7
	569968	Coin Meter	0.1EUR, 0.2EUR, 0.5EUR, 1EUR, 2EUR / jeton G-Fis Lavoir Bianca 20x1.8; Electronic EMPv7
	569974	Coin Meter	1AUD, 2AUD / jeton No Cash Value 28.6x1.58; Electronic EMPv7
	569980	Coin Meter	0.5MYR / jeton BUBBLELAB; Electronic EMPv7
	569955	Coin Meter	1PLN, 2PLN, 5 PLN / 0.1EUR, 0.2EUR, 0.5EUR, 1EUR, 2EUR / ISK10, ISK50, ISK100; Electronic EMPv7
	SP560075	Coin Meter	5+1 Shekel
	SP560071	Coin Meter	1HKD
	SP561497	Coin Meter	Jeton Prinz Firbitex
	563405	Coin Meter	Token Ldl Chamberland Washing Machine
	SP564485	Coin Meter	Token 118-5
	564487	Coin Meter	Token Barisart (Ldl)
	SP553156	Coin Meter	Token Rotondi
	569905	Coin Meter	Brass Jeton
	569911	Coin Meter	0.5CHF, 2CHF
	SP563405	Coin Meter	Token LDL Chamberland washing machine
	569995	Coin Meter	Jeton D
	569993	Coin Meter	Jeton 08 MS

Control Panel - AF, FX, HX, LP, LY, MWF, PY and SW Models (Drawing 1 of 2)



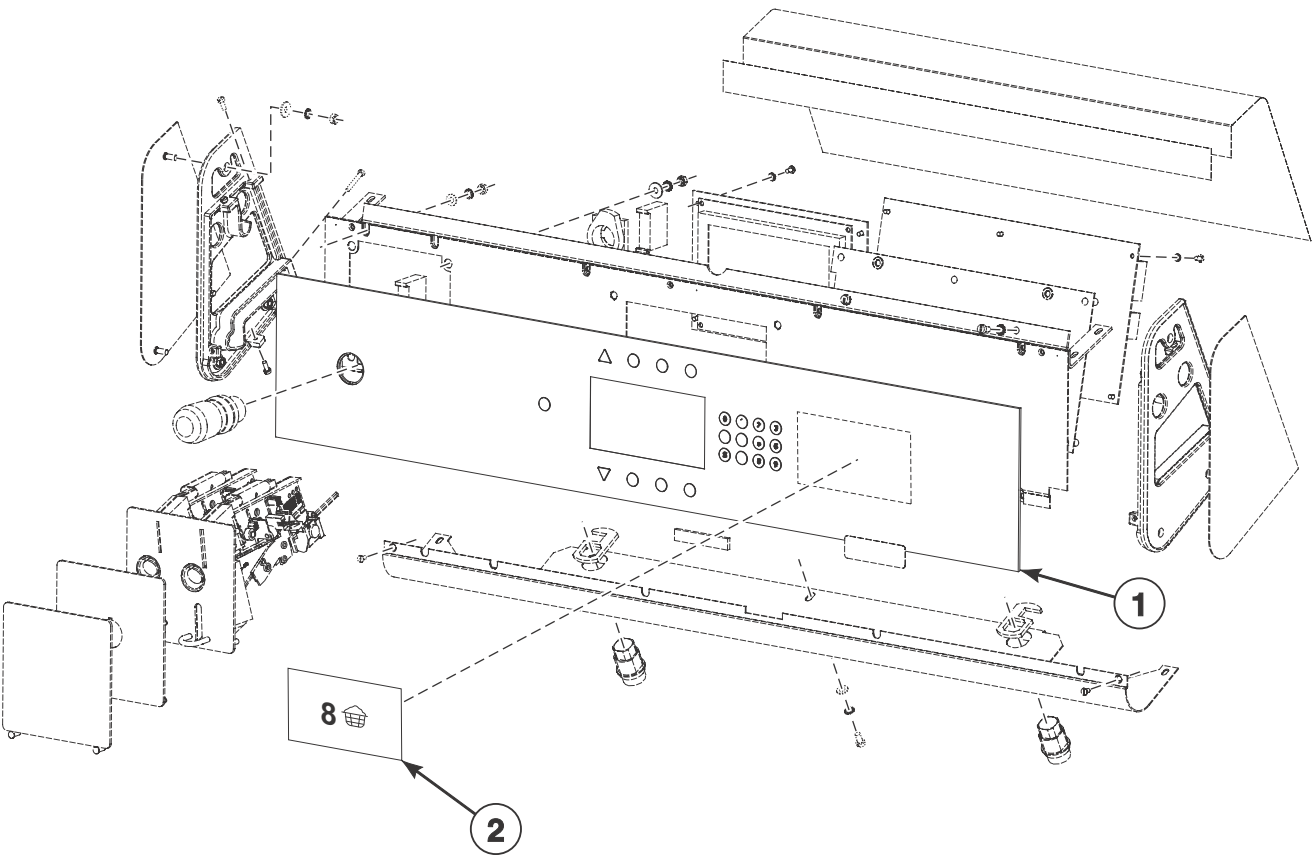
CFD3445P_D2307

Control Panel - AF, FX, HX, LP, LY, MWF, PY and SW Models (Drawing 1 of 2)

REF	PART NO.	DESCRIPTION	COMMENTS
	F8600501	Programming Cable	
1	SP550149	Cover Plate	PYN models; CSA
2	SP547565	Coin Meter Cover	
3	SP309084000308	Bolt	M3x8
4	SP528310	Emergency Stop Knob	OPL
	SP520032	Emergency Stop Wiring	OPL
	SP520033	Emergency Stop Interconnection	Vended
5	SP547507	Side Sheet Metal	Left
6	SP533338	Side Board	Left
7	SP311902100004	Washer	M4
8	SP311679800004	Washer	M4
9	SP310934000004	Nut	M4
10	SP309084000320	Bolt	M3x20
11	SP311125000004	Washer	M4
12	SP528311	Emergency Stop Connector	
13	SP528312	Switching Unit	
14	SP510846	Tape	
15	SP311679800003	Washer	M3
16	SP309798500306	Bolt	M3x6
17	SP547001	Control Board	MC6 (green color); Models through Serial No. 240FX001450DB; Refer to NOTE*
	SP553411	Control Board	MC7 (blue color); Models starting Serial No. 240FX001451DB; Refer to NOTE*
18	SPPRI543000004	Cover	
19	SP550005	Programmer Holder	
20	SP555504	Bolt	M4x12
21	SP547002	Control Board Power	MC6
	SP553405	Control Board Power	MC7
	SP547005	Board Interconnection Cable	
	SP537995	Board Interconnection Cable	SW models
22	SP547571	Programmer Holder	
23	SP547506	Side Sheet Metal	Right
24	SP533339	Side Board	Right
25	SPPRI610002007	Hook Lock	Small; MC7; OPL
26	SP309963000312	Bolt	M3x12
27	SP547527	Lock	
	SP550616	Key	Used with SP547527 Lock
28	SP537955	Logo Label	HX 240 models; "240"
29	SP284000012003	Tape	
30	SP547574	Lath	

* NOTE: For machines within the Serial No. range 240FX001452DB - 240FX001614DF, contact the After Sales department.

Control Panel - AF, FX, HX, LP, LY, MWF, PY and SW Models (Drawing 2 of 2)

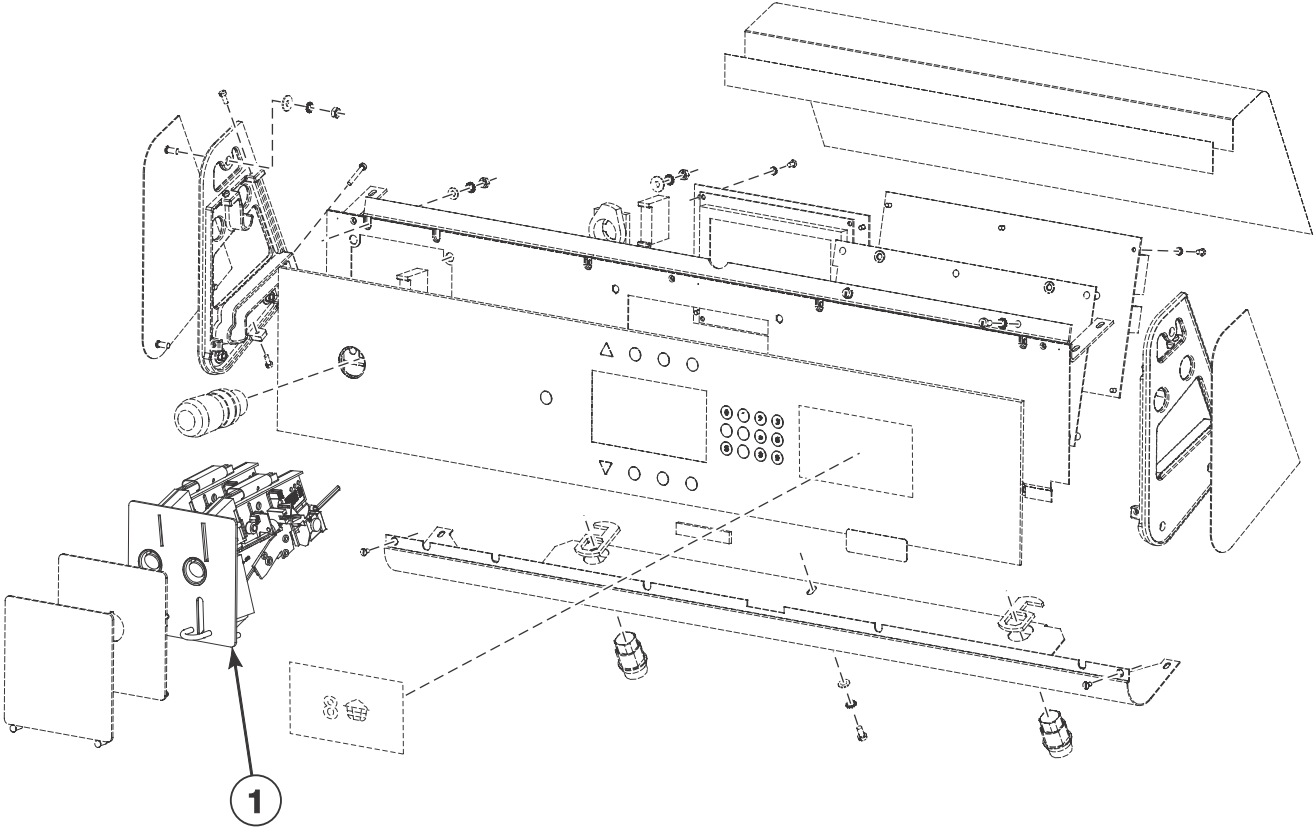


CFD3446P_D2307

Control Panel - AF, FX, HX, LP, LY, MWF, PY and SW Models (Drawing 2 of 2)

REF	PART NO.	DESCRIPTION	COMMENTS
	SP562738	Label	OPL; Wet cleaning; CE
1	SP560757	Keyboard	PYN models; X Control; Vended; CSA
	SP547018	Keyboard	FX, MWF and PY models; X Control Plus; OPL; Gray-black; CE
	SP547017	Keyboard	FX, MWF and PY models; OPL; X Control; Gray-black; CE
	SP547015	Keyboard	FX, MWF and PY models; Vended; X Control; Gray-black; CE
	SP547016	Keyboard	FX, MWF and PY models; CPS; X Control; Gray-black; CE
	SP547030	Keyboard	AF, LP and LY models; OPL; X Control Plus; Black; CE
	SP547029	Keyboard	AF, LP and LY models; OPL; X Control; Black; CE
	SP547027	Keyboard	AF, LP and LY models; Vended; X Control; Black; CE
	SP547028	Keyboard	AF, LP and LY models; CPS; X Control; Black; CE
	SP547042	Keyboard	FX, MWF and PY models; OPL; X Control Plus; Gray; CE
	SP547041	Keyboard	FX, MWF and PY models; OPL; X Control; Gray; CE
	SP547039	Keyboard	FX, MWF and PY models; Vended; X Control; Gray; CE
	SP547040	Keyboard	FX, MWF and PY models; CPS; X Control; Gray; CE
	SP552912	Keyboard	HX models; X Control; CE
	SP556256	Keyboard	SW models; CE
2	SP563293	Label	PYN models; Basket Capacity; 5.5; Vended; CSA

Control Panel - AF, FX, LP, LY, MWF and PY Vended, CE and Watermark Models (Drawing 1 of 3)

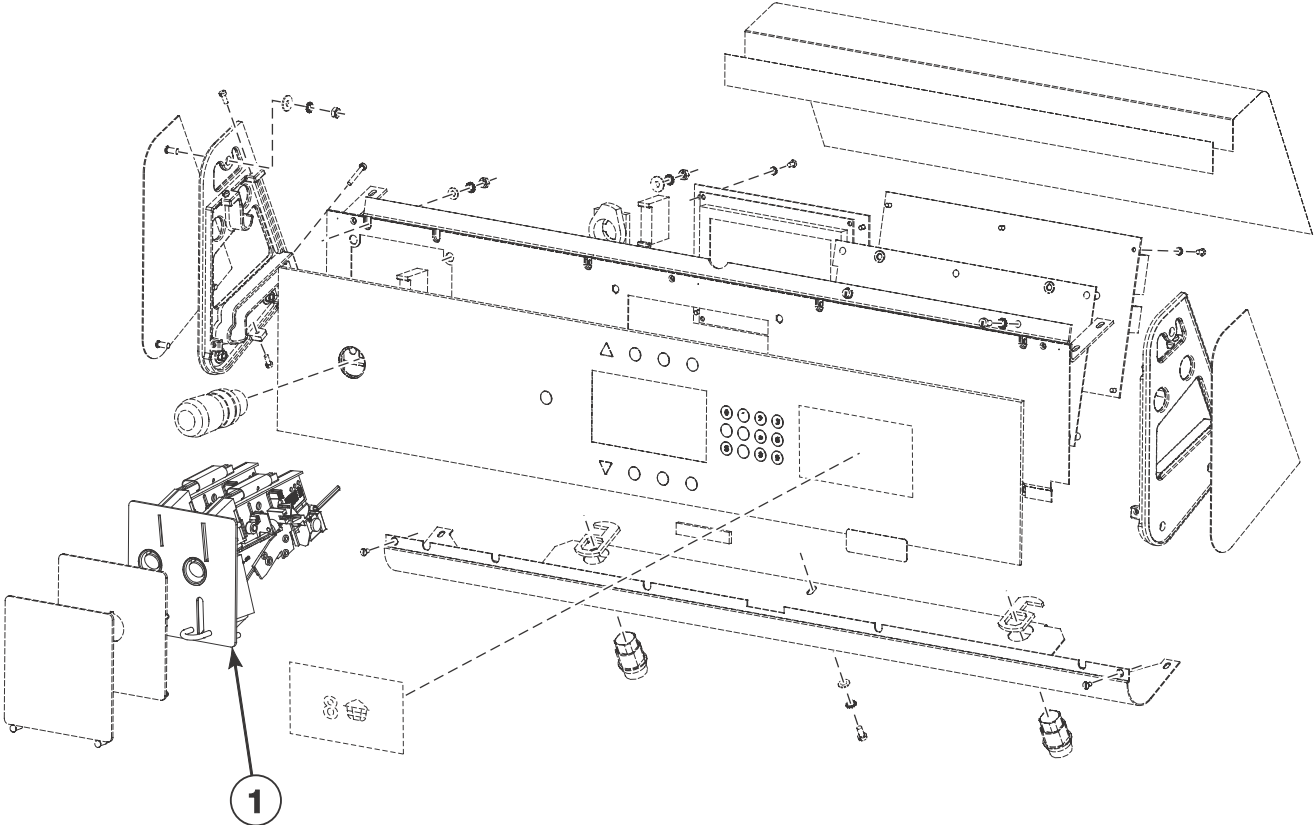


CZW53P_D2307

Control Panel - AF, FX, LP, LY, MWF and PY Vended, CE and Watermark Models (Drawing 1 of 3)

REF	PART NO.	DESCRIPTION	COMMENTS
1	SP547601	Coin Meter	5K Primus jeton
	SP547602	Coin Meter	7K Primus jeton
	SP547603	Coin Meter	10K Primus jeton
	SP547604	Coin Meter	12K Primus jeton
	SP547605	Coin Meter	15K Primus jeton
	SP547606	Coin Meter	D jeton
	SP547648	Coin Meter	0.05EUR
	SP547638	Coin Meter	0.2EUR
	SP547616	Coin Meter	0.5EUR
	SP547614	Coin Meter	1EUR
	SP547647	Coin Meter	2EUR
	SP547622	Coin Meter	0.2EUR + 0.5EUR
	SP547639	Coin Meter	0.2EUR + 1EUR
	SP547617	Coin Meter	0.5EUR + 1EUR
	SP547656	Coin Meter	0.5EUR + 2EUR
	SP547631	Coin Meter	1EUR + 2EUR
	SP547652	Coin Meter	7K + D jeton
	SP547666	Coin Meter	7K jeton and 2EUR
	SP547665	Coin Meter	D jeton and 2EUR
	SP547600	Coin Meter	1AUD + 20C
	SP547607	Coin Meter	1POND + 20PC
	SP547608	Coin Meter	1POND + 50PC
	SP547609	Coin Meter	100YEN
	SP547610	Coin Meter	500JPY + 100JPY
	SP547611	Coin Meter	5DKK
	SP547612	Coin Meter	20DKK
	SP547613	Coin Meter	5ILS + 1ILS
	SP547615	Coin Meter	1MYR
	SP547618	Coin Meter	1DKK + 5DKK
	SP547619	Coin Meter	10NOK + 20NOK
	SP547620	Coin Meter	2DKK + 5DKK
	SP547621	Coin Meter	5NOK
	SP547623	Coin Meter	1NZD + 2NZD
	SP547624	Coin Meter	10 NOK
	SP547625	Coin Meter	10NT + 50NT
	SP547626	Coin Meter	2DKK
	SP547627	Coin Meter	Lucky Winner jeton
	SP547628	Coin Meter	10TWD
	SP547629	Coin Meter	10CZK + 20CZK
	SP547630	Coin Meter	7K Equipos Par Lavar jeton
	569921	Coin Meter	0.2GBP, 0.5GBP, 1GBP, 2GBP / 0.1EUR, 0.2EUR, 0.5EUR, 1EUR, 2EUR; Electronic EMPv7
	SP547634	Coin Meter	500WON
	SP547635	Coin Meter	0.25USD
	SP547636	Coin Meter	1AUD + 2AUD
	SP547637	Coin Meter	5DK + 10DK
	SP547640	Coin Meter	Sun Wash jeton

Control Panel - AF, FX, LP, LY, MWF and PY Vended, CE and Watermark Models (Drawing 2 of 3)

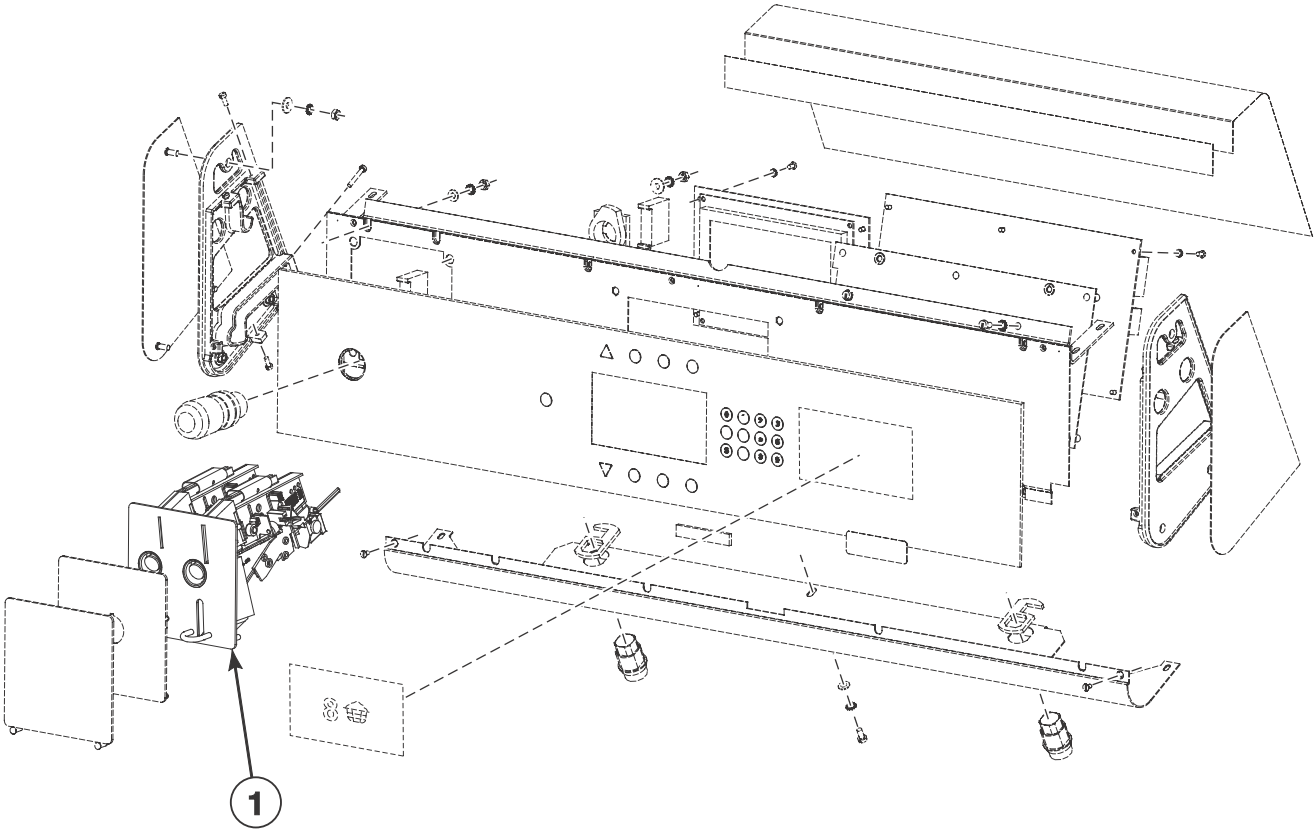


CZW53P_D2307

Control Panel - AF, FX, LP, LY, MWF and PY Vended, CE and Watermark Models (Drawing 2 of 3)

REF	PART NO.	DESCRIPTION	COMMENTS
1	SP547641	Coin Meter	2DK + 10DK
	SP547642	Coin Meter	1AUD
	SP547643	Coin Meter	1CHF
	SP547644	Coin Meter	5NOK + 10NOK
	SP547645	Coin Meter	1 TopMos jeton + 1"LEV" jeton
	SP547646	Coin Meter	1 Vendo jeton
	SP547649	Coin Meter	1 jeton
	569951	Coin Meter	0.5MAD, 1MAD, 2MAD, 5MAD, 10MAD; Electronic EMPv7
	SP547651	Coin Meter	20 penny
	SP547653	Coin Meter	1 Wascator jeton, jeton diamater 22.2 mm
	SP547654	Coin Meter	1 Unibel jeton, jeton diamater 18.55 mm
	SP547657	Coin Meter	50HUF + 100HUF
	SP547658	Coin Meter	1 jeton without coining, jeton diamater 20 mm
	SP547659	Coin Meter	1 Volund jeton, jeton diamater 22.5 mm
	SP547660	Coin Meter	1 Wascator jeton, jeton diamater 19 mm
	SP547661	Coin Meter	1 Miele jeton
	SP547662	Coin Meter	1 jeton without coining, jeton diamater 26 mm
	SP547663	Coin Meter	Three-groove jeton, jeton diamater 27 mm
	SP547664	Coin Meter	Three-groove jeton, jeton diamater 25 mm
	SP537996	Coin Meter	Top-Mosr jeton
	SP547667	Coin Meter	Milano Italy jeton
	SP547668	Coin Meter	5PLN + 1PLN
	SP547669	Coin Meter	Two-grooves jeton, jeton diamater 27 mm
	SP547670	Coin Meter	A.S.A.R.D. jeton, jeton diamater 25.8 mm
	SP547671	Coin Meter	20CZK
	SP547672	Coin Meter	Jeton ASARD, jeton diamater 22.3 mm
	SP547673	Coin Meter	Jeton Laundromatic Belgium, jeton diamater 22.3 mm
	SP547674	Coin Meter	1SGD
	SP547675	Coin Meter	Jeton Asard Wascator, jeton diamater 19.9 mm
	SP555502	Coin Meter	Easy Games jeton
	SP555543	Coin Meter	Brev.C jeton
	SP555546	Coin Meter	50 Malaysian cent
	SP555549	Coin Meter	Flat Polis jeton
	SP555550	Coin Meter	Butzi Wash jeton
	SP555578	Coin Meter	1SGD, (new Singapore dollar)
	SP555558	Coin Meter	Copper without grooves jeton
	569939	Coin Meter	0.1SGD, 0.2SGD, 0.5SGD, 1SGD; Electronic EMPv7
	SP555666	Coin Meter	2x50 Malaysian cent
	569933	Coin Meter	0.1EUR, 0.2EUR, 0.5EUR, 1EUR, 2EUR, Electronic EMPv7
	SP555559	Coin Meter	Speedy Matic jeton
	SP555579	Coin Meter	Was-Salon Lavoir jeton
	569948	Coin Meter	5CZK, 10CZK, 20CZK, 50CZK; Electronic EMPv7
	SP560744	Coin Meter	Electronic for Dobi Ekspres jeton
	569964	Coin Meter	0.2GBP, 0.5GBP, 1GBP, 2GBP / 0.1EUR, 0.2EUR, 0.5EUR, 1EUR, 2EUR / jeton KWL Auga / jeton Gettone; Electronic EMPv7
	SP560089	Coin Meter	STD 118-1 jeton
	SP560082	Coin Meter	5k IPSO jeton

Control Panel - AF, FX, LP, LY, MWF and PY Vended, CE and Watermark Models (Drawing 3 of 3)

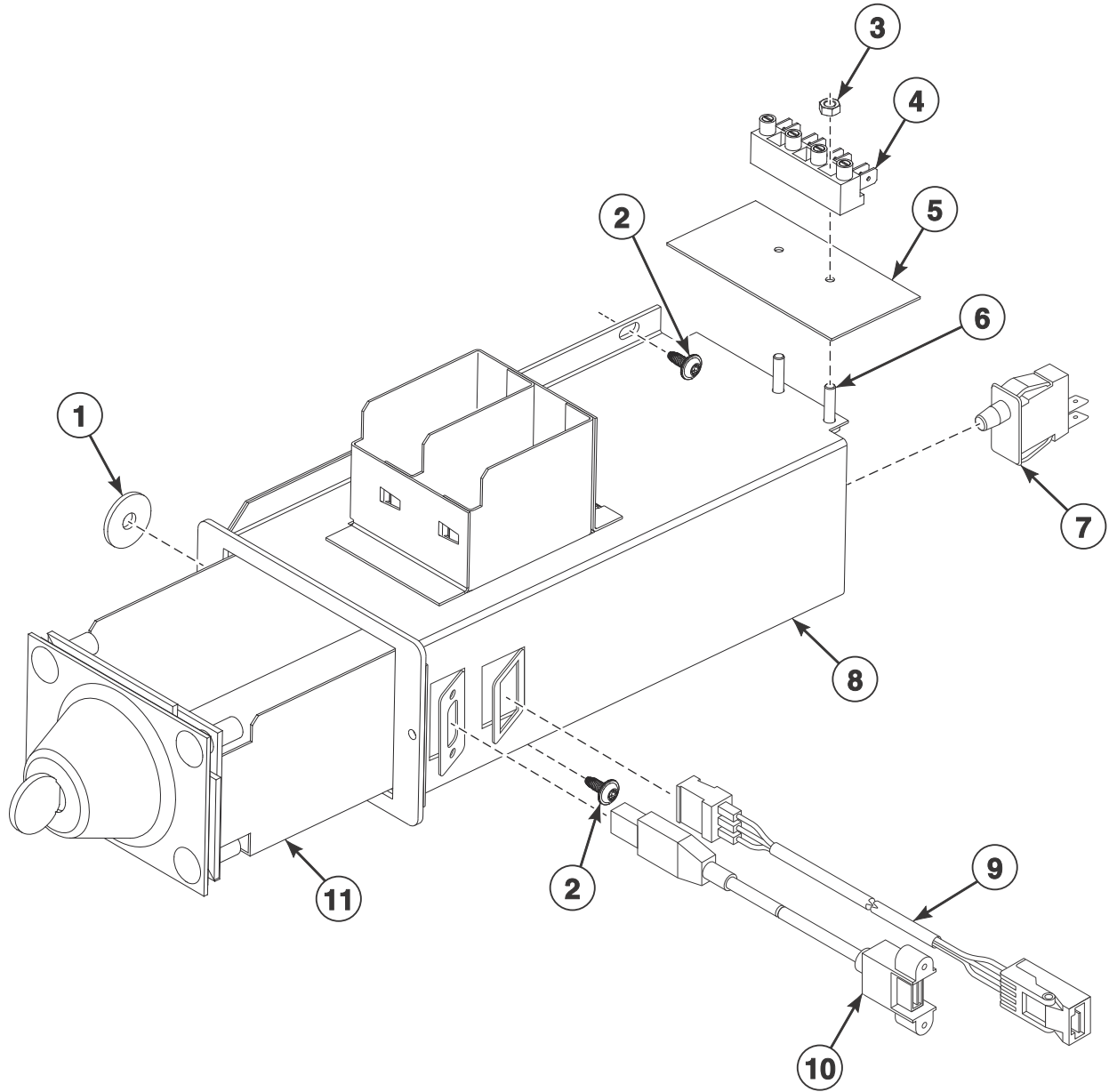


CZW53P_D2307

Control Panel - AF, FX, LP, LY, MWF and PY Vended, CE and Watermark Models (Drawing 3 of 3)

REF	PART NO.	DESCRIPTION	COMMENTS
1	SP560083	Coin Meter	7k IPSO jeton
	SP560084	Coin Meter	10k IPSO jeton
	SP560085	Coin Meter	12k IPSO jeton
	SP560086	Coin Meter	15k IPSO jeton
	561378	Coin Meter	10 Moroccan Dirham
	569918	Coin Meter	0.25USD, 1USD / 0.25CAD, 1CAD, 2CAD; Electronic EMPv7
	560073	Coin Meter	0.25USD / 1USD
	569930	Coin Meter	1CNY / 0.1MYR, 0.2MYR, 0.5MYR; Electronic EMPv7
	569927	Coin Meter	0.2AUD, 1AUD, 2AUD / 1NZD, 2NZD / 5HKD, 10HKD / 500KRW; Electronic EMPv7
	561496	Coin Meter	Jeton Grupo Azkoyen CDS Automaten
	569936	Coin Meter	1PHP, 5PHP, 10PHP; Electronic EMPv7
	569942	Coin Meter	0.1MYR, 0.2MYR, 0.5MYR / 0.5SGD, 1SGD; Electronic EMPv7
	569945	Coin Meter	1HRK, 2HRK, 5HRK; Electronic EMPv7
	569924	Coin Meter	1DKK, 2DKK, 5DKK, 10DKK, 20DKK / 1NOK, 5NOK, 10NOK, 20NOK / 0.5EUR, 1EUR, 2EUR; Electronic EMPv7
	564484	Coin Meter	Jeton 118-5
	564486	Coin Meter	Jeton Barisart LDL
	569961	Coin Meter	0.1EUR, 0.2EUR, 0.5EUR, 1EUR, 2EUR / 5K IPSO jeton; Electronic EMPv7
	564489	Coin Meter	Jeton Sporong
	569970	Coin Meter	0.5MYR / jeton DobiPapa 22.5x2; Electronic EMPv7
	553150	Coin Meter	Jeton with hole
	553151	Coin Meter	Jeton Deton Wash
	569967	Coin Meter	0.1EUR, 0.2EUR, 0.5EUR, 1EUR, 2EUR / jeton G-Fis Lavoir Bianca 20x1.8; Electronic EMPv7
	569973	Coin Meter	1AUD, 2AUD / jeton No Cash Value 28.6x1.58; Electronic EMPv7
	569979	Coin Meter	0.5MYR / jeton BUBBLELAB; Electronic EMPv7
	569954	Coin Meter	1PLN, 2PLN, 5PLN / 0.1EUR, 0.2EUR, 0.5EUR, 1EUR, 2EUR / ISK10, ISK50, ISK100; Electronic EMPv7
	569901	Coin Meter	Brass jeton
	569912	Coin Meter	Jeton Wassalon lavoir

Coin Meter - AF, AF Non-Brand, FX, IY, J, LP, LY, MWF, NY, PY and SY Vended Models

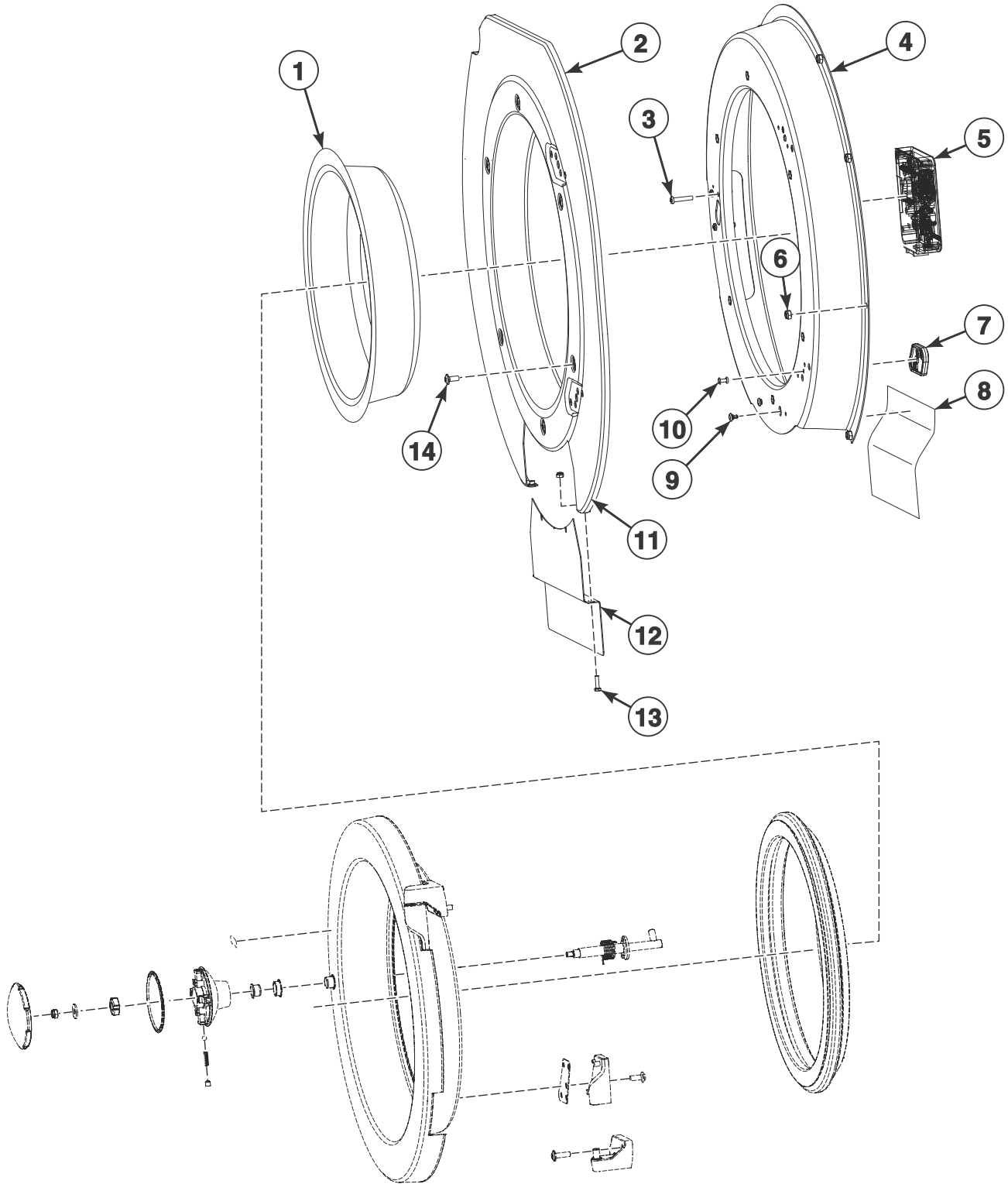


CZW50P_D2307

Coin Meter - AF, AF Non-Brand, FX, IY, J, LP, LY, MWF, NY, PY and SY Vended Models

REF	PART NO.	DESCRIPTION	COMMENTS
1	SP530884	Washer	M6
2	SP529206	Screw	4x11
3	SP310934000004	Nut	M4
4	SPPRI350000007	Terminal Board	
5	SPPRI350012007	Isolation Paper	
6	SP309933000416	Bolt	M4x16
7	SP506045	Microswitch	PYN models; Vended; CSA
8	SP547548	Coin Meter Case	AF, FX, IY, J, LP, LY, MWF and PY models
	568039	Coin Meter Case	AF, FX, IY, J, LP, LY, MWF and PY models starting Serial No. 240FX005163HQ; Vended; Large coin meter
	SP550436	Coin Meter Case	AF Non-Brand, NY and SY models
	568041	Coin Meter Case	AF Non-Brand, NY and SY models starting Serial No. 240FX005163HQ; Vended; Large coin meter
9	SP545234	Cable	PYN models; Vended; With connectors; RS485; CSA
10	SP547006	USB Cable	PYN models; Vended; CSA
11	SP102532	Coin Meter Box	CE and Watermark
	100498	Coin Meter Box	Models starting Serial No. 240FX005163HQ; Vended; Large coin meter; CE and Watermark

Door (Drawing 1 of 2)

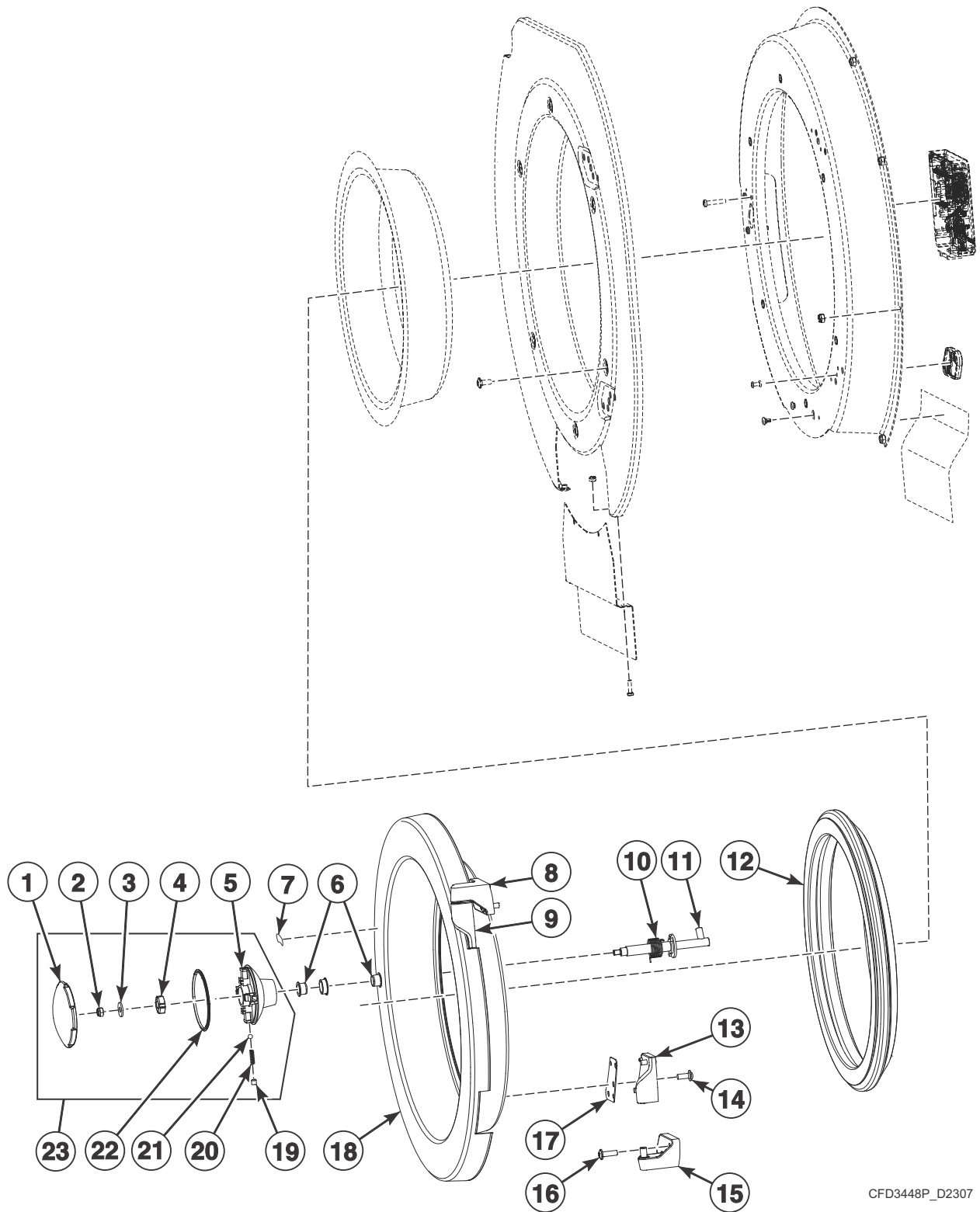


CFD3447P_D2307

Door (Drawing 1 of 2)

REF	PART NO.	DESCRIPTION	COMMENTS
	SP552454	Door Lock Wiring	PYN models; CSA
	SP552453	Door Lock Wiring	
	SP537896	Adhesive	Reversible
	SP245704000603	Adhesive	Loctite 603; Used with SP537854 Bolt
	SP245704003021	Adhesive	Loctite 243
	SP556272	Door Assembly	HY, SY and UY models; Includes items 1-14 and items 1-23 in <i>Door (Drawing 2 of 2)</i>
	537930	Door Assembly	FX, HX, MWF, PY and SW models; Includes items 1-14 and items 1-23 in <i>Door (Drawing 2 of 2)</i>
	537932	Door Assembly	AF, AF Non-Brand, LP, LY and NY models; Includes items 1-14 and items 1-23 in <i>Door (Drawing 2 of 2)</i>
	556254	Door Assembly	IY models; Includes items 1-14 and items 1-23 in <i>Door (Drawing 2 of 2)</i>
	SP559369	Door Assembly	Photomaton; Includes items 1-14 and items 1-23 in <i>Door (Drawing 2 of 2)</i>
	562706	Door Assembly	J models; Includes items 1-14 and items 1-23 in <i>Door (Drawing 2 of 2)</i>
	568989	Service Door Kit	Includes 569352 Door Seal, 568804 Shim, 560069 Shim, SPPRI722000004 Plastic Protection and SPPRI722000001 Plastic Protection
1	SP535439	Door Glass	AF, AF Non-Brand, FX, HX, HY, LP, LY, MWF, NY, PY, SW, SY and UY models
	SP556228	Door Glass	IY models
	SP562703	Door Glass	J models
2	SP556232	Front Panel	HY, IY, J, SY and UY models; Photomaton; Stainless
	SP556129	Front Panel	AF, AF Non-Brand, FX, HX, LP, LY, MWF, NY, PY and SW models; Black
3	SP556137	Bolt	M5x25
4	SP537883	Door and Lock Holder	
5	SP537760	Lock	
6	SP310985000006	Nut	M6
7	SP537849	Hinge Spacer	
8	SP552972	Cover	
9	SP537856	Connector	
10	SP547779	Rivet	4x16.7
11	SP313251002104	Nut	M4
12	SP556237	Heating Element Front Cover	HY, IY, J, SY and UY models; Photomaton; Stainless
	SP537927	Heating Element Front Cover	AF, AF Non-Brand, FX, HX, LP, LY, MWF, NY, PY and SW models; Black
13	SP309084000416	Bolt	M4x16
14	SP537854	Bolt	M6x14

Door (Drawing 2 of 2)



CFD3448P_D2307

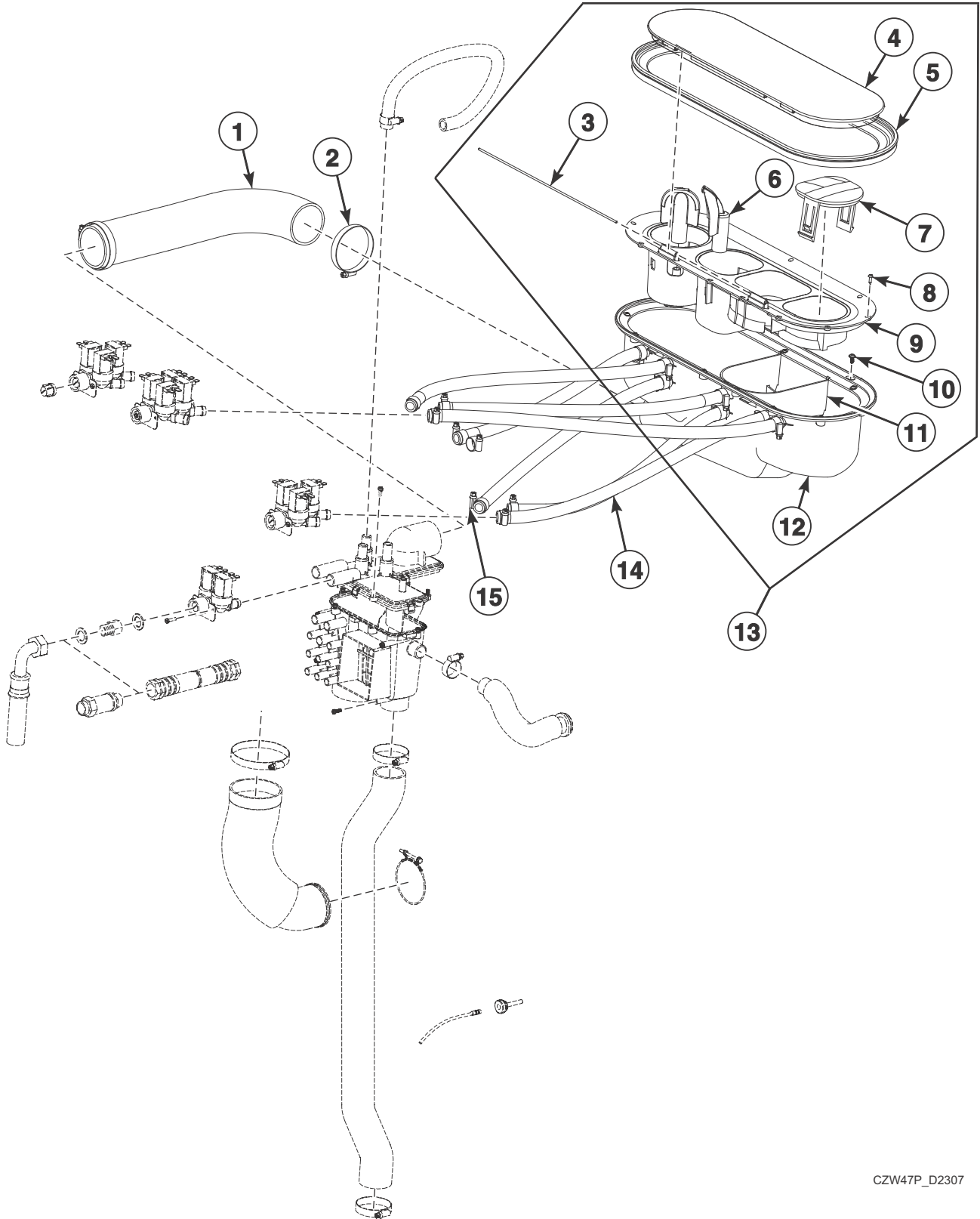
Door (Drawing 2 of 2)

REF	PART NO.	DESCRIPTION	COMMENTS
	563260	Plasticine	Used with handle
1	SP556278	Holder Cover	HY, SY and UY models
	SP535438	Holder Cover	AF, AF Non-Brand, IY, J, LP, LY and NY models; Photomaton
	SP535430	Holder Cover	FX, HX, MWF, PY and SW models
2	SP310985000006	Nut	M6
3	SP311902100006	Washer	M6
4	SP529710	Locating Segment	
5	SP535429	Handle Lower Part	
6	SP529739	Casing	
7	SP564831	Label	Door Lock; PYN models; Vended; CSA
8	SP556273	Fixed Upper Hinge	HY, SY and UY models; Photomaton
	SP537839	Fixed Upper Hinge	AF, AF Non-Brand, FX, HX, IY, J, LP, LY, MWF, NY, PY and SW models
9	SP556275	Upper Hinge	HY, SY and UY models; Photomaton
	SP537841	Upper Hinge	AF, AF Non-Brand, FX, HX, IY, J, LP, LY, MWF, NY, PY and SW models
10	SP535402	Handle Torsion Spring	
11	SP537933	Lock Pin	
12	569352	Door Seal	
13	SP556276	Lower Hinge	HY, SY and UY models; Photomaton
	SP537842	Lower Hinge	AF, AF Non-Brand, FX, HX, IY, J, LP, LY, MWF, NY, PY and SW models
14	SP537864	Bolt	M6x16
15	SP556274	Fixed Lower Hinge	HY, SY and UY models; Photomaton
	SP537840	Fixed Lower Hinge	AF, AF Non-Brand, FX, HX, IY, J, LP, LY, MWF, NY, PY and SW models
16	SP535479	Bolt	M6x25
17	SP535421	Hinge Spacer	
18	SP535443	Door	FX, HX, HY, MWF, PY, SW, SY and UY models; Photomaton; Chrome
	SP535445	Door	AF, AF Non-Brand, IY, J, LP, LY and NY models; Black
19	SP553524	Bolt	M6x6
20	SP535406	Compression Spring	
21	SP535407	Handle Ball	
22	SP535411	Distinguishing Ring	FX, HX, HY, J, MWF, PY, SW, SY and UY models; Blue
	SP535437	Distinguishing Ring	AF, AF Non-Brand, IY, LP, LY and NY models; Photomaton; Red
23	SP556297	Handle	HY, SY and UY models
	SP552909	Handle	AF, AF Non-Brand, IY, LP, LY and NY models
	SP552908	Handle	FX, HX, MWF, PY and SW models
	SP562898	Handle	J models
	569335	Handle	Photomaton

Water Inlet System (Drawing 1 of 2)

REF	PART NO.	DESCRIPTION	COMMENTS
	SPPRI704000053	Sealant	Used with SP540115 Main Vessel
	F8301201	Double Check Valve	J models; Used with SPPRI426001217 Pipe Nipple 3/4 inch; CE
1	SP547959	3-Way Valve	3/4 inch
2	SP548933	4-Way Valve	3/4 inch
3	SP526497	Screw	M4x12
4	SP526557	Mixer Lid	
5	SPPRI240000003	Hose Clamp	20-32
6	SP526510	Vent Hose	
7	SP526491	Hose Clamp	62-70
8	SP526439	Temperature Sensor Seal	
9	SP503839	Temperature Sensor	
10	SPPRI240000017	Hose Clamp	40-60
11	SP547897	Overflow Tube	
12	SP526506	Filling Elbow Pipe	
13	SP526497	Screw	4x12
14	SPPRI240000007	Hose Clamp	70-90
15	RSPF200166	Filling Hose Pipe	IYY, LYY, NYY, PYY, SYY and UYY models
16	RSPB12543901	Double Reverse Valve	IYY, LYY, NYY, PYY, SYY and UYY models
17	SPPRI505000054	Filling Hose Pipe	Used with cold water
	SP547980	Filling Hose Pipe	Used with hot water
	SP101621	Filling Hose Pipe	Valid for water approval
	F200164	Water Hose	PYN models; CSA
18	SP309084000416	Bolt	4x16
19	SP547958	2-Way Valve	3/4 inch
20	SP526565	Mixer Body	
21	SPPRI520001009	Seal	
22	567174	Reduction	PYN models; 3/4 inch; BSP/GHT; CSA
23	SP526558	Mixer	
24	SPPRI340004030	Filter	

Water Inlet System (Drawing 2 of 2)

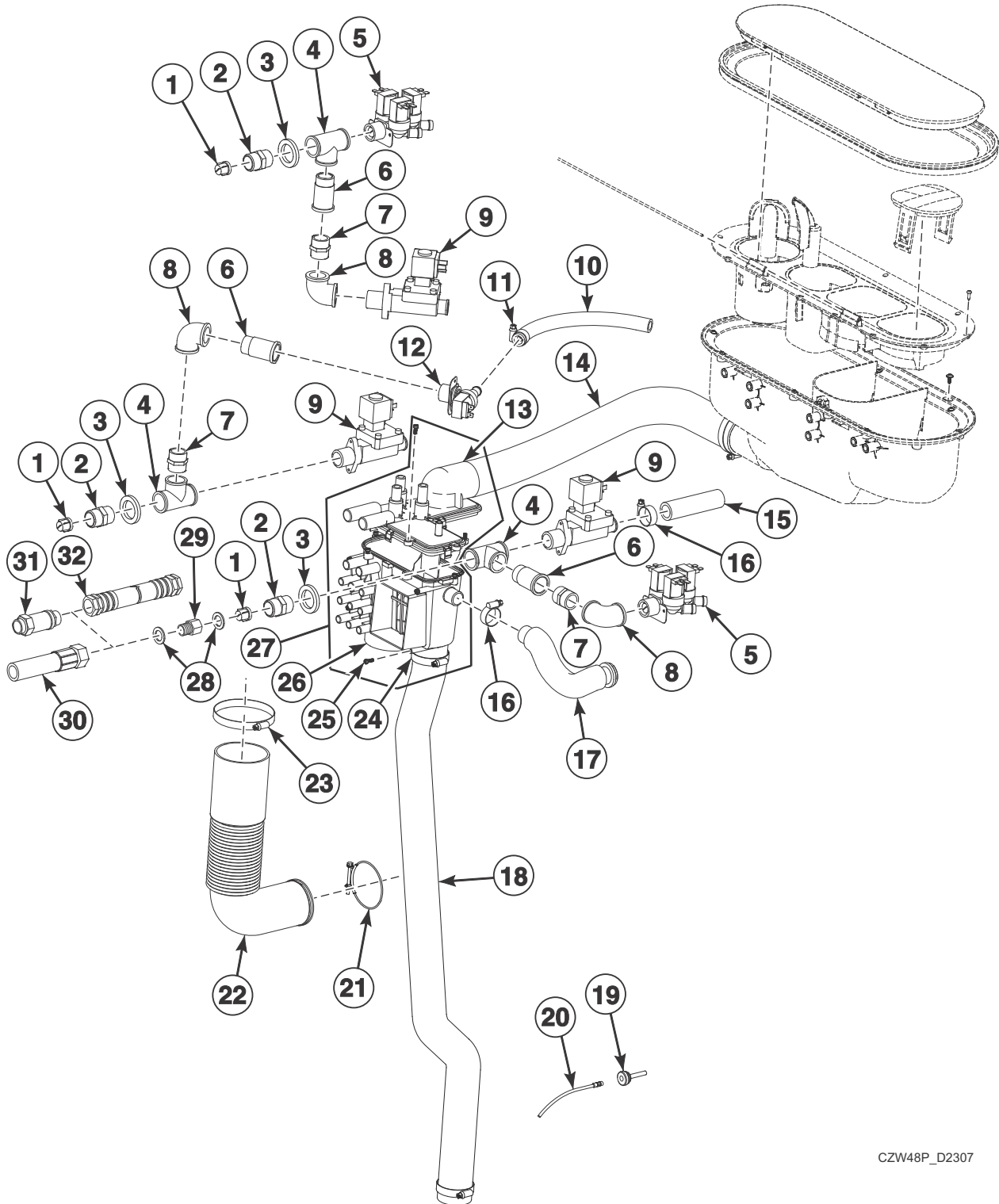


CZW47P_D2307

Water Inlet System (Drawing 2 of 2)

REF	PART NO.	DESCRIPTION	COMMENTS
1	SP526490	Dispenser Pipe	
2	SPPRI240000021	Hose Clamp	60-80
3	SP540117	Pin	
4	SP551695	Dispenser Lid	HY, SY and UY models; Photomaton
	SP526461	Dispenser Lid	AF, AF Non-Brand, FX, HX, IY, J, LP, LY, MWF, NY, PY and SW models
5	SP540158	Dispenser Seal	
6	SP540113	Flap	
7	SP526468	Soap Hopper Plug	
8	SP309798124313	Screw	ST3.5x13
9	SP540112	Soap Hopper Upper Cover	
10	SP529206	Screw	4x11
11	SP540116	Internal Vessel	
12	SP540115	Main Vessel	
13	SP554214	Soap Hopper	HY, SY and UY models; Photomaton
	SP540164	Soap Hopper	AF, AF Non-Brand, FX, HX, IY, J, LP, LY, MWF, NY, PY and SW models
14	SPPRI540000014	Hose	13/19
	SP101745	Hose Pipe	Valid for water approval
15	SPPRI240000002	Hose Clamp	12-22

Water Inlet System - Optional (Drawing 1 of 2)

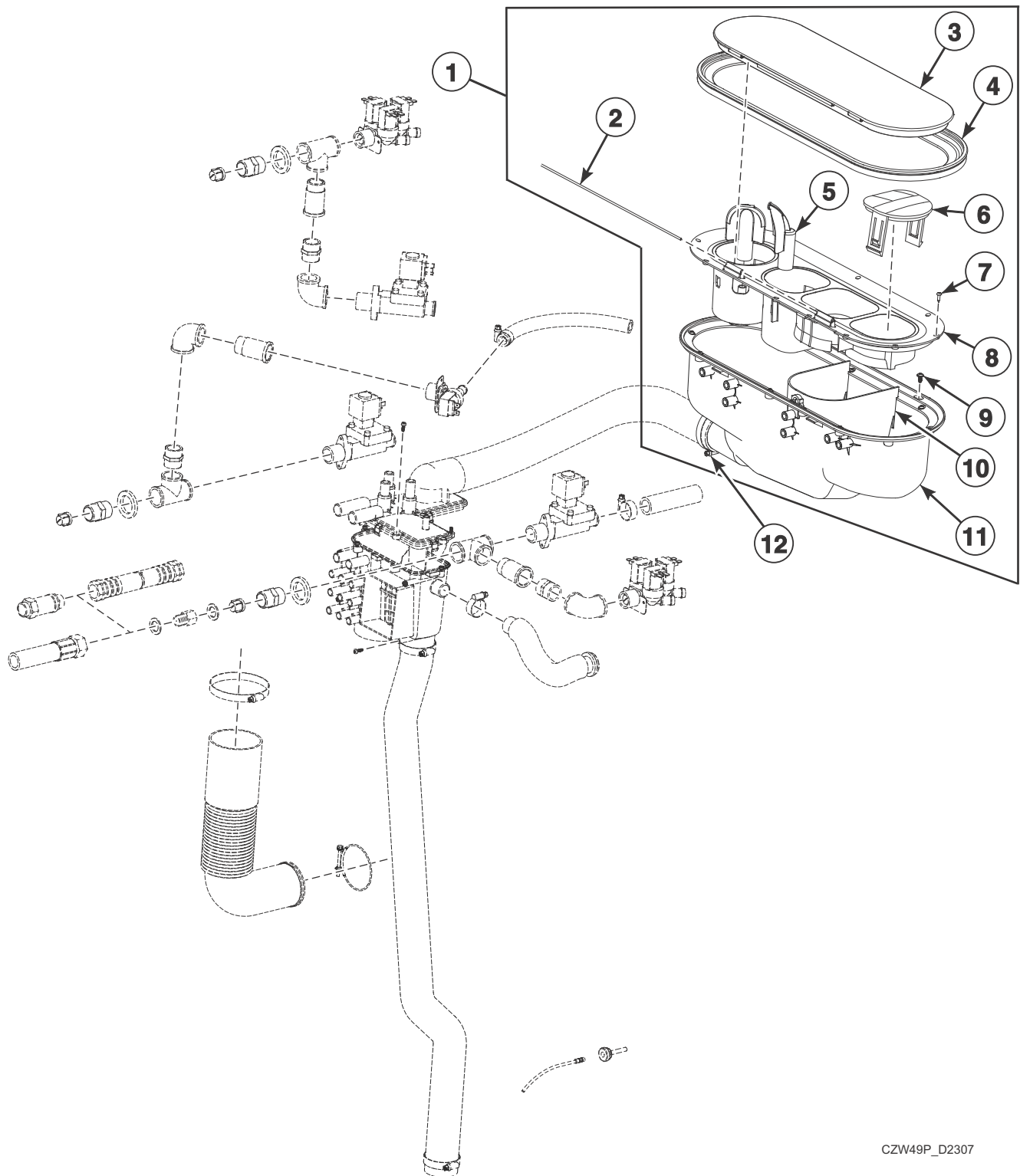


CZW48P_D2307

Water Inlet System - Optional (Drawing 1 of 2)

REF	PART NO.	DESCRIPTION	COMMENTS
	F8301201	Double Check Valve	J models; Used with SPPRI426001217 Pipe Nipple 3/4 inch; CE
1	SPPRI340004030	Filter	
2	SP510120	Pipe Nipple	3/4 inch
3	SPPRI231000062	Washer	28x42x5
4	SPPRI426001107	Tee	3/4 inch
5	SP547959	3-Way Valve	3/4 inch
6	SPPRI426003217	Extension	3/4 inch x 40
7	SPPRI426001217	Pipe Nipple	3/4 inch
8	SPPRI426002072	Elbow	3/4 inch
9	SP567064	1-Way Valve	3/4 inch; Uses SP525821 Valve Repair Kit
10	SPPRI540000014	Hose	13/19
11	SPPRI240000002	Hose Clamp	12-22
12	SP554211	1-Way Valve	3/4 inch
13	SP526557	Mixer Lid	
14	SP526490	Dispenser Pipe	
15	SPPRI540001019	Hose	
16	SPPRI240000003	Hose Clamp	20-32
17	SP526510	Vent Hose	
18	SP547897	Overflow Tube	
19	SP526439	Temperature Sensor Seal	
20	SP503839	Temperature Sensor	
21	SP526491	Hose Clamp	62-70
22	SP526506	Filling Elbow Pipe	
23	SPPRI240000007	Hose Clamp	70-90
24	SPPRI240000017	Hose Clamp	40-60
25	SP526497	Screw	4x12
26	SP526565	Mixer Body	
27	SP526558	Mixer	
28	SPPRI520001009	Seal	
29	567174	Reduction	PYN models; 3/4 inch; BSP/GHT; CSA
30	SP533036	Filling Hose Pipe	
	F200164	Water Hose	PYN models; CSA
	SP101621	Filling Hose Pipe	Valid for water approval
31	RSPB12543901	Double Reverse Valve	IYY, LYY, NYY, PYY, SYI and UYY models
32	RSPF200166	Filling Hose Pipe	IYY, LYY, NYY, PYY, SYI and UYY models

Water Inlet System - Optional (Drawing 2 of 2)

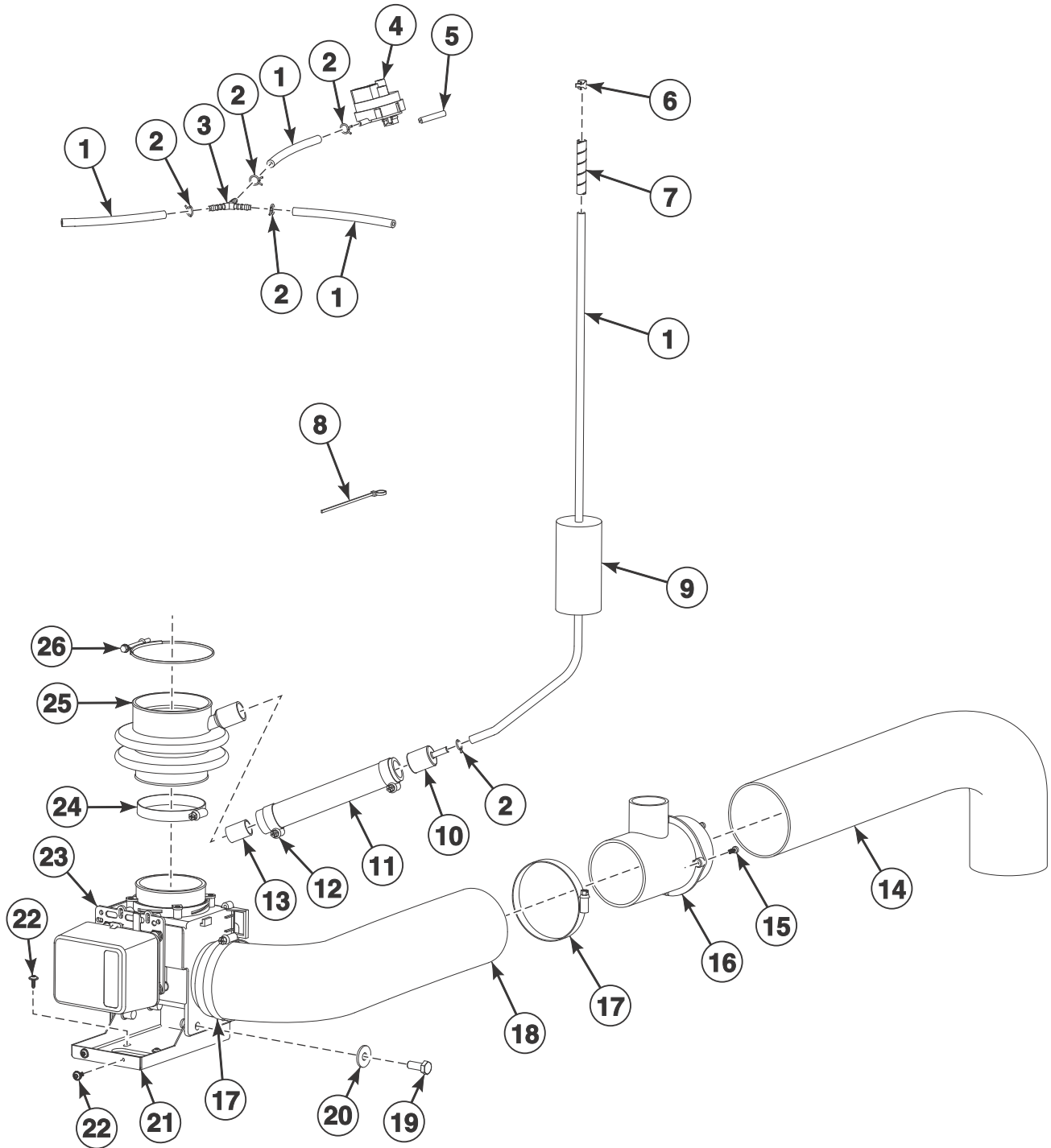


CZW49P_D2307

Water Inlet System - Optional (Drawing 2 of 2)

REF	PART NO.	DESCRIPTION	COMMENTS
1	SP554214	Soap Hopper	HY, SY and UY models
	SP540164	Soap Hopper	AF, AF Non-Brand, FX, HX, IY, J, LP, LY, MWF, NY, PY and SW models
2	SP540117	Pin	
3	SP551695	Dispenser Lid	HY, SY and UY models
	SP526461	Dispenser Lid	AF, AF Non-Brand, FX, HX, IY, J, LP, LY, MWF, NY, PY and SW models
4	SP540158	Dispenser Seal	
5	SP540113	Flap	
6	SP526468	Soap Hopper Plug	
7	SP309798124313	Screw	ST3.5x13
8	SP540112	Soap Hopper Upper Cover	
9	SP529206	Screw	4x11
10	SP540116	Internal Vessel	Big
11	SP540115	Main Vessel	Requires SPPRI704000053 Silicon Sealant
12	SPPRI240000021	Hose Clamp	60-80

Drain System - Drain Valve

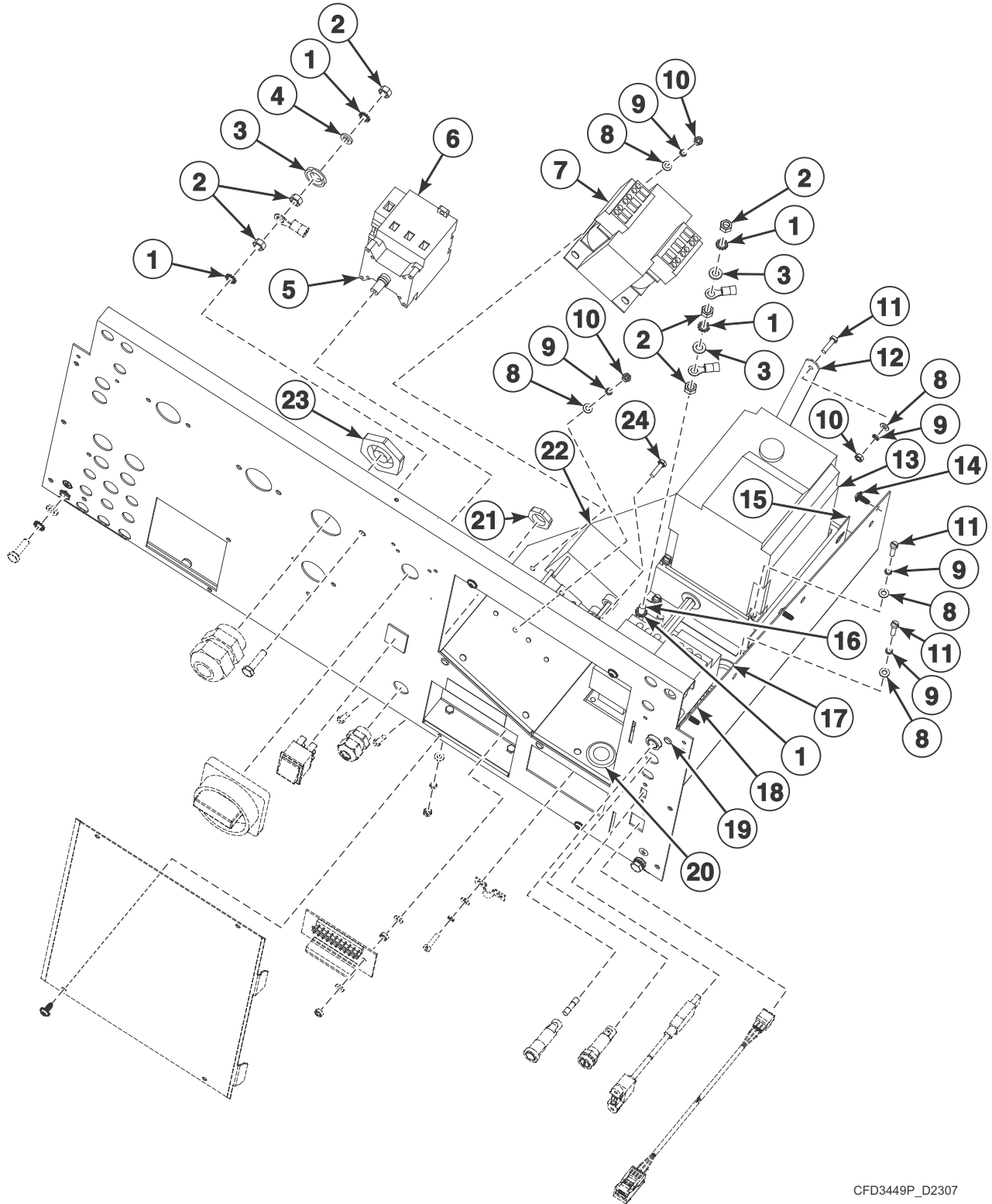


CFD3537P_D2307

Drain System - Drain Valve

REF	PART NO.	DESCRIPTION	COMMENTS
1	SPPRI540001003	Water Level Switch Hose	
2	SPPRI241000017	Hose Clamp	A5.5
3	SPPRI503000028	Y-Piece	J models
4	SP562708	Waters Level Sensor	J models
5	SPPRI505000058	Profiled Sealing	J models
6	SP540183	Spring Clamp	
7	SP283449080200	Spiral	
8	SP345000626088	Binding Strip	
9	SP100188	Foam Roller	
10	SPPRI503000027	Air Trap Reduction	
11	SPPRI503002049	Hose	Air trap
12	SPPRI240000003	Hose Clamp	20-32
13	SP500125	Reinforcement Tube	
14	SP519463	Drain Elbow	PYN models; CSA
	SP235100018724	Drain Elbow	CE and Watermark
15	SP526497	Screw	4x12
16	SP526454	Tee	
17	SPPRI240000007	Hose Clamp	70-90
18	SP526500	Drain Elbow	
19	SP309933000820	Bolt	M8x20
20	SP311902100008	Washer	8
21	SP526513	Drain Valve Holder	
22	SP529206	Screw	4x11
23	SP526460	Drain Valve	Black; Includes 553195 Drain Valve Chamber, SPPRI340002051 Drain Valve Motor and 554276 Drain Valve Seal
	553195	Drain Valve Chamber	Black
	SPPRI340002051	Drain Valve Motor	Includes gearbox
	SP547821	Reverse Function Drain Valve	CE and Watermark; Black; Includes 553195 Drain Valve Chamber, SPPRI340002051 Drain Valve Chamber, SPPRI340002051 Drain Valve Motor and 554276 Drain Valve Seal
	554276	Drain Valve Seal	
24	SPPRI240000021	Hose Clamp	60-80
25	SP526492	Drain Hose Pipe	
26	SP526532	Hose Clamp	82-90

Rear Panel (Drawing 1 of 3)

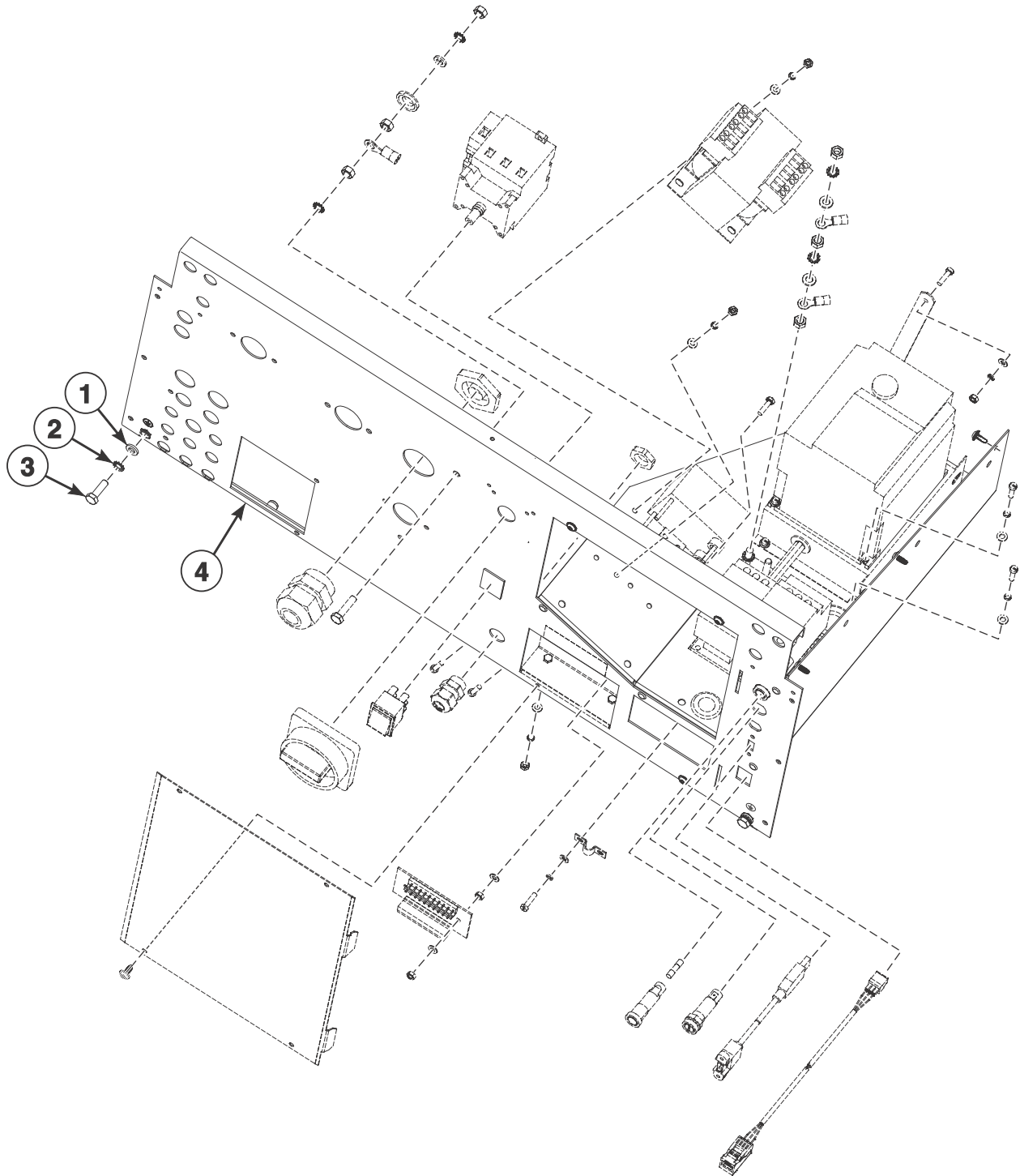


CFD3449P_D2307

Rear Panel (Drawing 1 of 3)

REF	PART NO.	DESCRIPTION	COMMENTS
	SP557769	Main Wiring	MC7; CE
	SP528429	Main Wiring	MC6; CE
	SP552476	Main Wiring	PYN models; CSA
	SP528443	Liquid Soap Supply Connection Kit	
1	SP311679824006	Washer	M6
2	SP310934100006	Nut	M6
3	563361	Washer	PYN models; CSA
4	SP311125100006	Washer	6.4
5	SP506407	Main Switch	25A; Fourth pole
	SPPRI404001098	Main Switch	32A; Fourth pole
	SPPRI404001099	Main Switch	63A; Fourth pole
6	SPPRI404000098	Main Switch	32A
	SPPRI404000097	Main Switch	25A
	SPPRI404000099	Main Switch	63A
7	SP516648	Transformer	
8	SP311125000004	Washer	4.3
9	SP311127000004	Washer	4
10	SP310934000004	Nut	M4
11	SP309084000416	Bolt	M4x16
12	SP526593	Holder Partition	
13	SP525931	Frequency Inverter	200 Volt; FR-D720S-100-E8
	SP525932	Frequency Inverter	400 Volt; FR-D740S-080-E8
	SP528324	Communication Cable	
	SP528325	Communication Cable	Photomaton
14	SP529206	Screw	4x11
15	SP525935	Filter	FR-D740-xxx
16	SP309933100625	Bolt	M6x25
17	SPPRI501000071	Cable Bushing	25x1.4
18	SPPRI345002019	Contactor	LC1D32M7
	SP514043	Contactor	LC1D50M7
	SP514038	Contactor	LC1-D09M7
	SP514042	Contactor	LC1D18M7
19	SP313250004007	Rivet	4x7
20	SP273121015002	Cable Passage	15x2
21	SP101416	Nut	M16
22	SP552251	Filter	FR-D720S-xxx
23	SP101419	Nut	M32
24	SP309933000416	Bolt	M4x16

Rear Panel (Drawing 2 of 3)



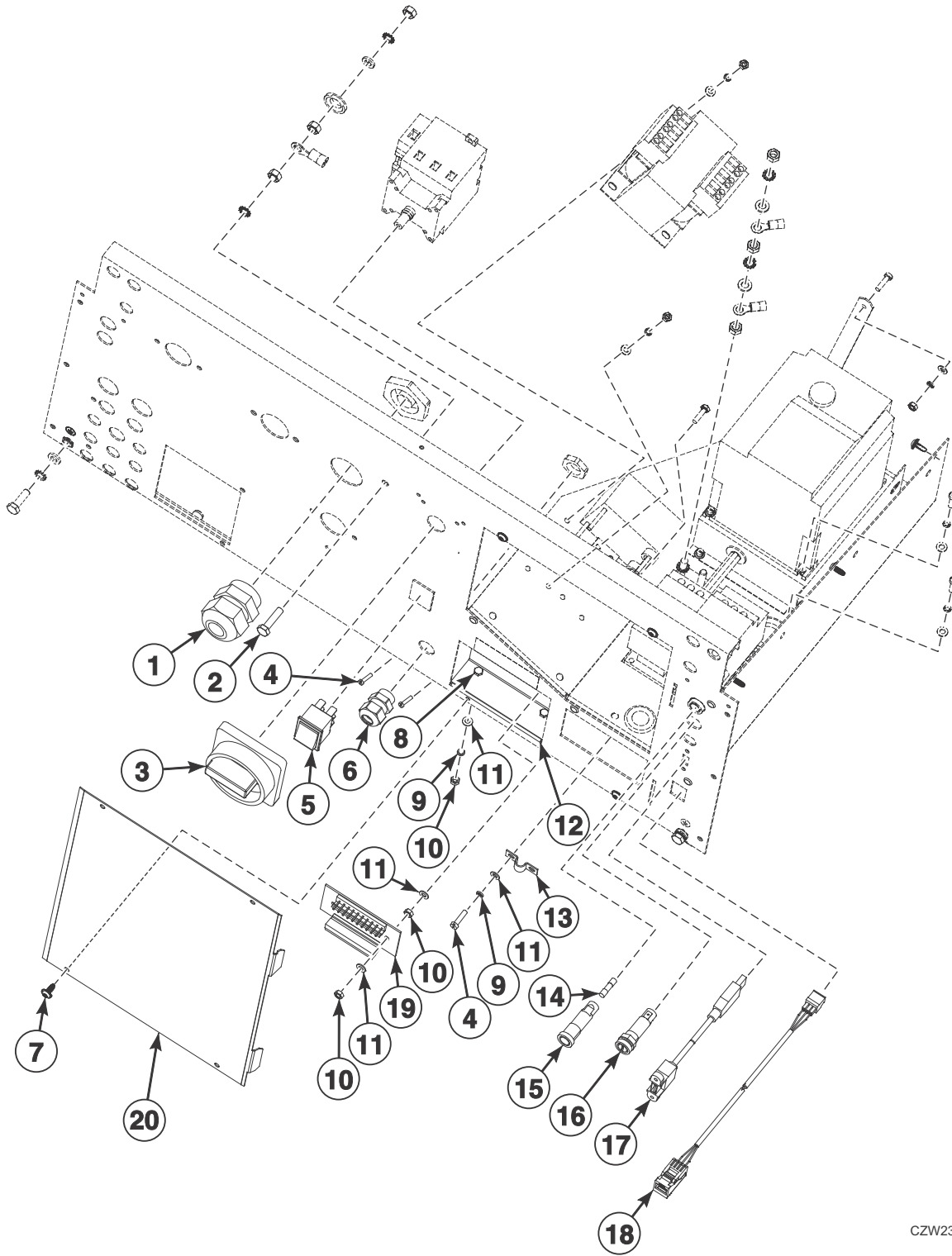
CFD3450PA_D2307

Rear Panel (Drawing 2 of 3)

REF	PART NO.	DESCRIPTION	COMMENTS
	557982	Cable	Extra price option
	SP506575	Terminal Board	Extra price option
	557981	Label	Extra price option
	SP514057	Relay	FX, IY, PY, SY and UY models; OPL; CE and Watermark; Refer to NOTE*
	SP506586	Relay Case	FX, IY, PY, SY and UY models; OPL; CE and Watermark; Refer to NOTE*
	SP514135	Relay Clamp	FX, IY, PY, SY and UY models; OPL; CE and Watermark; Refer to NOTE*
	552482	Fuse Housing	FX, IY, PY, SY and UY models; OPL; CE and Watermark; Refer to NOTE*
	552483	End Cover	FX, IY, PY, SY and UY models; OPL; CE and Watermark; Refer to NOTE*
	569725	Fuse Glass	FX, IY, PY, SY and UY models; OPL; 4A; CE and Watermark; Refer to NOTE*
	568308	Sticker	FX, IY, PY, SY and UY models; OPL; CE and Watermark; Refer to NOTE*
	528169	Interconnection	FX, IY, PY, SY and UY models; OPL; 1-120V; CE and Watermark; Refer to NOTE*
	SP545220	Interconnection	FX, IY, PY, SY and UY models; OPL; 1-160V; CE and Watermark; Refer to NOTE*
	564682	Interconnection	FX, IY, PY, SY and UY models; OPL; 1.5-150V; CE and Watermark; Refer to NOTE*
	505448	Conductor	FX, IY, PY, SY and UY models; OPL; CE and Watermark; Refer to NOTE*
	SP505446	Conductor	FX, IY, PY, SY and UY models; OPL; CE and Watermark; Refer to NOTE*
	557936	Isolation Cavity	FX, IY, PY, SY and UY models; OPL; CE and Watermark; Refer to NOTE*
	345000966067	Isolation Cavity	FX, IY, PY, SY and UY models; OPL; CE and Watermark; Refer to NOTE*
	345000034150	Cable Eye	FX, IY, PY, SY and UY models; OPL; CE and Watermark; Refer to NOTE*
	SP503817	Binding Strip	FX, IY, PY, SY and UY models; OPL; CE and Watermark; Refer to NOTE*
	SP345000626088	Binding Strip	FX, IY, PY, SY and UY models; OPL; CE and Watermark; Refer to NOTE*
	SP528313	Cable Holder	FX, IY, PY, SY and UY models; OPL; CE and Watermark;
1	SP311125240006	Washer	6.4
2	SP311679824006	Washer	M6
3	SP309933000620	Bolt	M6x20
4	SP554384	Rear Panel	AF Non-Brand, HY, IY, J, NY, SY and UY models
	SP547880	Rear Panel	AF, FX, HX, LP, LY, MWF, PY and SW models

* NOTE: Wet cleaning with built-in recirculation pump.

Rear Panel (Drawing 3 of 3)

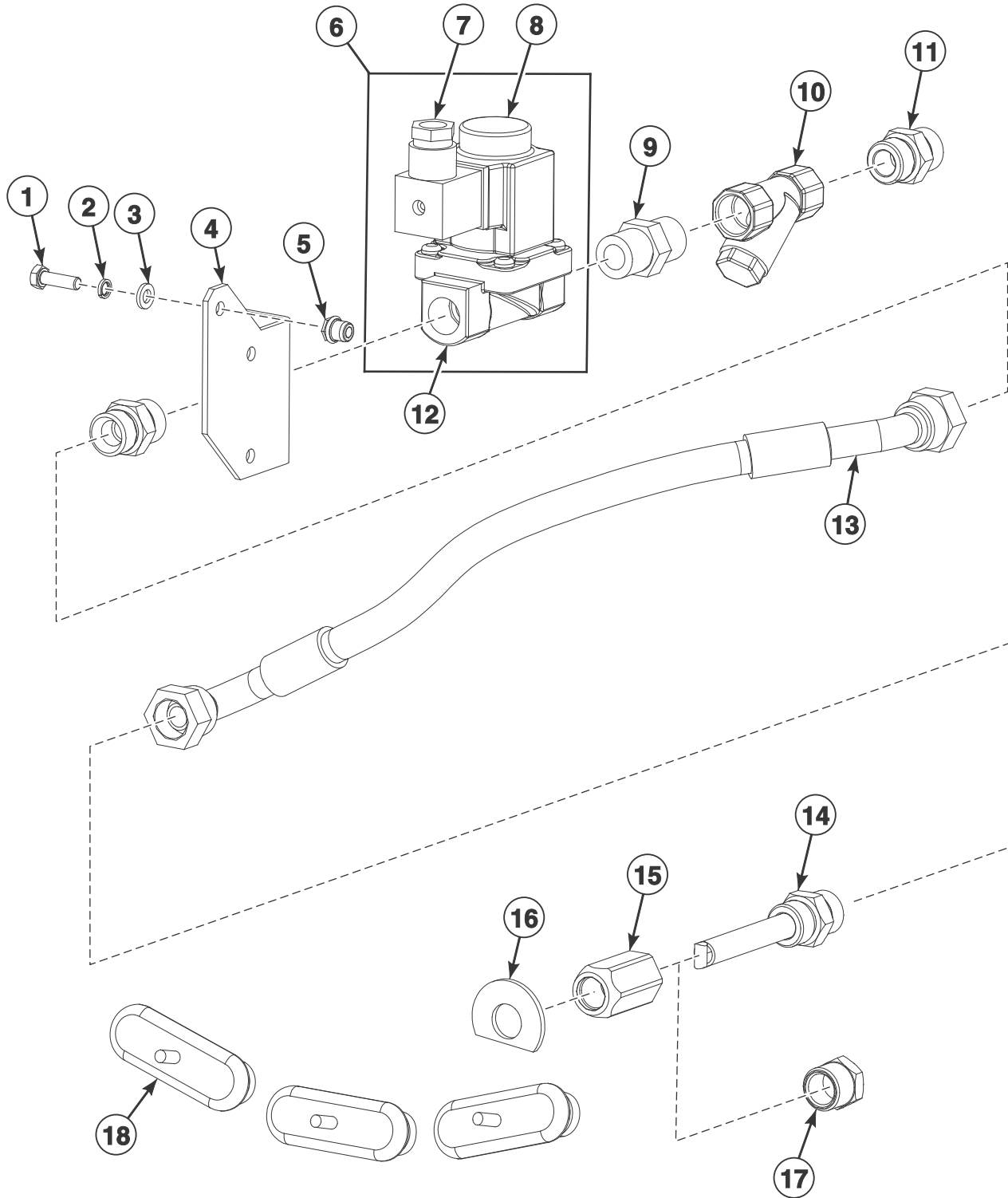


CZW23P_D2307

Rear Panel (Drawing 3 of 3)

REF	PART NO.	DESCRIPTION	COMMENTS
	SP557948	External Block Signal Cable	4.3m
1	SP101409	Bushing	M32x1.5
	SP557952	Cable Bushing Insert	M32
2	SP309933100625	Bolt	M6x25
3	SPPRI404000095	Main Switch Knob	
4	SP309084000416	Bolt	M4x16
5	SP100388	Switch	
6	SP101406	Bushing	M16
7	SP529206	Screw	4x11
8	SP309933240408	Bolt	M4x8
9	SP311127000004	Washer	4
10	SP310934000004	Nut	M4
11	SP311125000004	Washer	4.3
12	SP540123	Liquid Detergent Box	
13	SP528392	Cable Clamp	
14	SP345805005020	Fuse	5x20mm, T0.5A/250V
	SP345805163032	Fuse	6.3x32mm, T1A/500V
15	SPPRI401003020	Fuse Housing	6.3x32
16	SPPRI401001020	Fuse Holder	
17	SP547006	USB Cable	Rear panel connection
18	SP545234	Cable	RS485; With connectors
19	SP524714	Soap Relay Board	
	SP528150	Pump Relay Board to LED Terminal Cable	
	SP557944	Soap Link Kit	
	SP557947	External Block Signal Cable	2.8m
20	SP526567	Rear Panel Lid	

Steam Heating

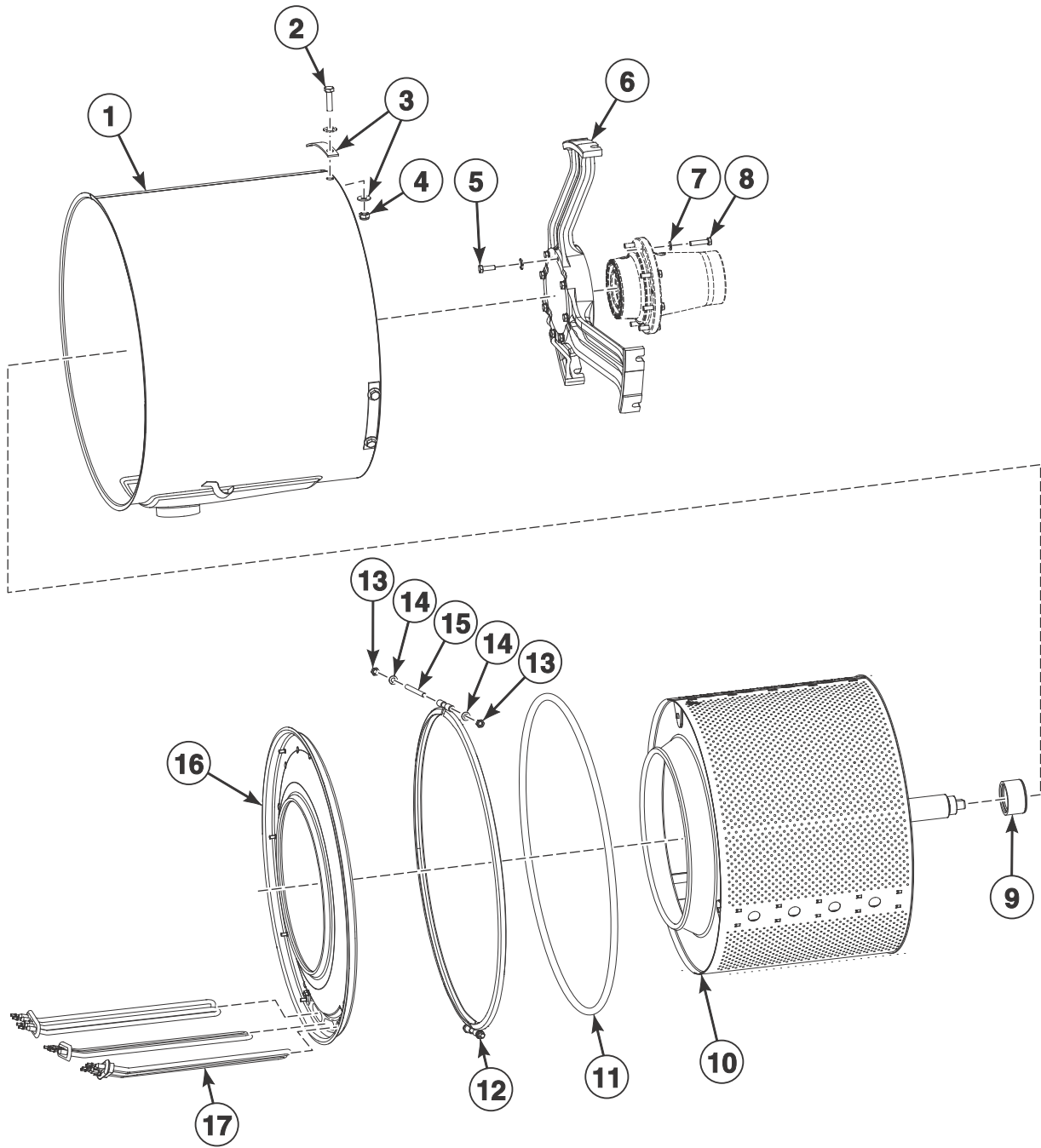


CFD2852P_D2307

Steam Heating

REF	PART NO.	DESCRIPTION	COMMENTS
	SP526564	Seal	
	SP101403	Adhesive	Loctite 5366
	SP245704000603	Adhesive	Loctite 603
	SP554340	Steam Kit	
1	SP309933000620	Bolt	M6x20
2	SP311127000006	Washer	6
3	SP311125000006	Washer	6.4
4	SP547873	Steam Valve Support	
5	SP313251000006	Nut	M6
6	SP514164	Steam Valve	1/2 inch
7	SP554156	Connector	
8	SP554110	Coil	50/60Hz
9	SP319428324012	Adapter	1/2 inch
10	SP405054120215	Steam Filter	1/2 inch
11	SPR22112000114	Pipe Nipple	1/2 inch
12	SP514165	Steam Valve Body	
13	SP526528	Steam Hose	1/2 inch 1/2 inch, l=520mm
14	SP526525	Steam Injector	
15	SP547968	Adapter	G3/8 inch / G1/2 inch
16	SP547981	Washer	
17	SPPRI426001268	Plug	1/2 inch; Prep for electric and steam heat
18	SPPRI342001016	Heating Element Hole Plug	

Washing Drum and Tub



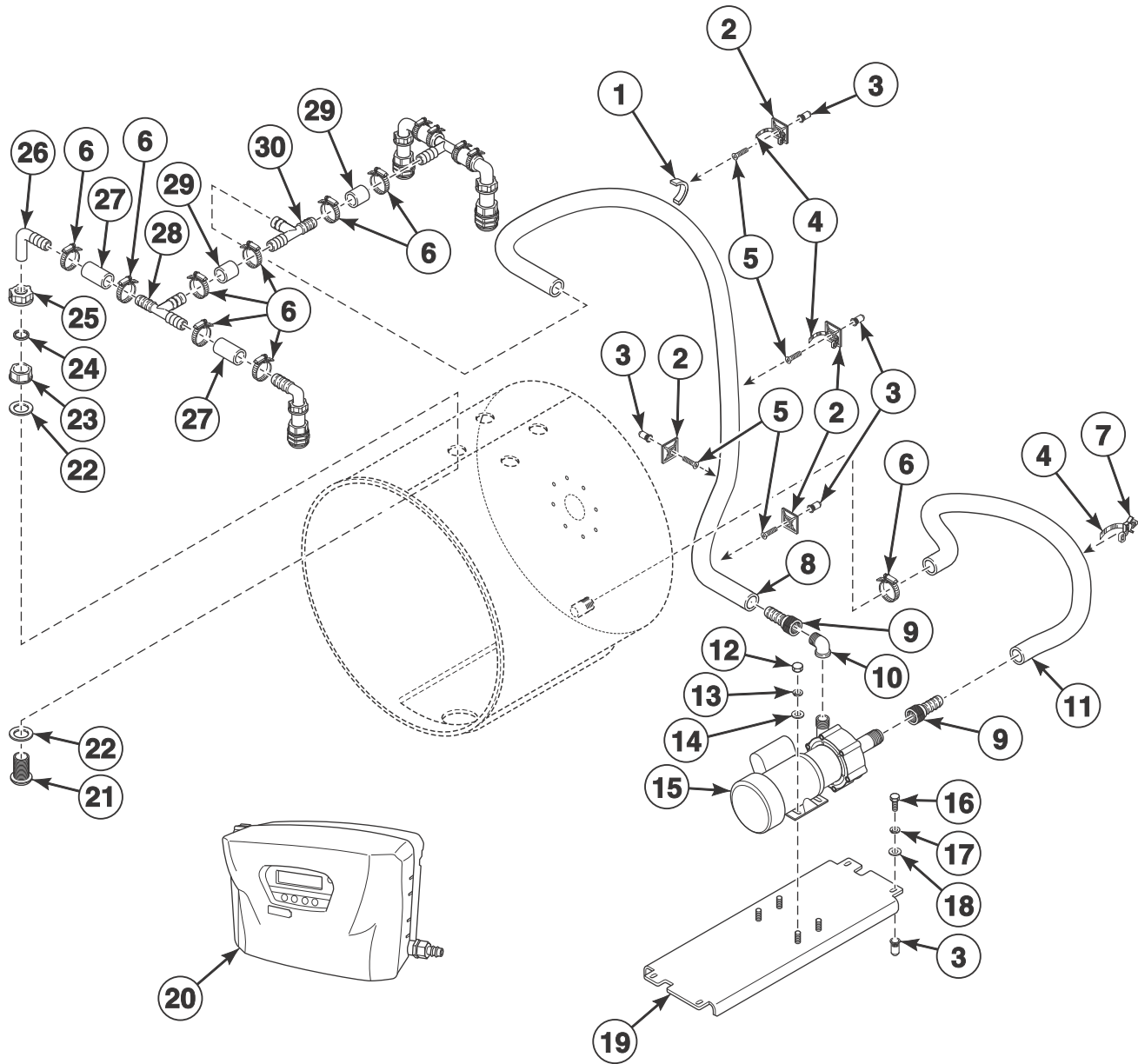
CFD2742P_D2307

Washing Drum and Tub

REF	PART NO.	DESCRIPTION	COMMENTS
	SP245704003021	Adhesive	Loctite 243; Used with bolt
	SP245704000050	Adhesive	
	SPPRI704000053	Sealant	
	SP510889	Anticorrosive Agent	
1	SP537837	External Tub	Steam heating
	SP537922	External Tub	Electric heating
	567160	External Tub	FX, IY, PY, SY and UY models; Steam heating; Wet cleaning with built-in recirculation pump; CE and Watermark
	567200	External Tub	FX, IY, PY, SY and UY models; Electric heating; Wet cleaning with built-in recirculation pump; CE and Watermark
2	SP309933001250	Bolt	M12x50
3	SP537898	Washer	
4	SP310985000012	Nut	M12
5	SP309933241035	Bolt	M10x35
6	SP537824	Cross Piece	
7	SP311125000013	Washer	M12
8	SP309933001235	Bolt	M12x35
9	SP552982	Shaft Ring	
10	SP537830	Washing Drum	Includes item 9
	563248	Washing Drum	SY models; Normal spin; 7mm perforation; Includes item 9
11	SP537821	Seal	d10-2550mm
12	SP537822	Clamp	
13	SP310934240008	Nut	M8
14	SP311125240008	Washer	M8
15	SPF02119000415	Bolt	M8
16	SP537819	External Tub Front Plate	
17	SP540127	Heating Element	2 x 2000W, l=470mm
	SP540132	Heating Element	2 x 3000W, l=470mm

Wet Cleaning - With Built-In Recirculation Pump

FX, IY, PY, SY and UY, CE and Watermark Models

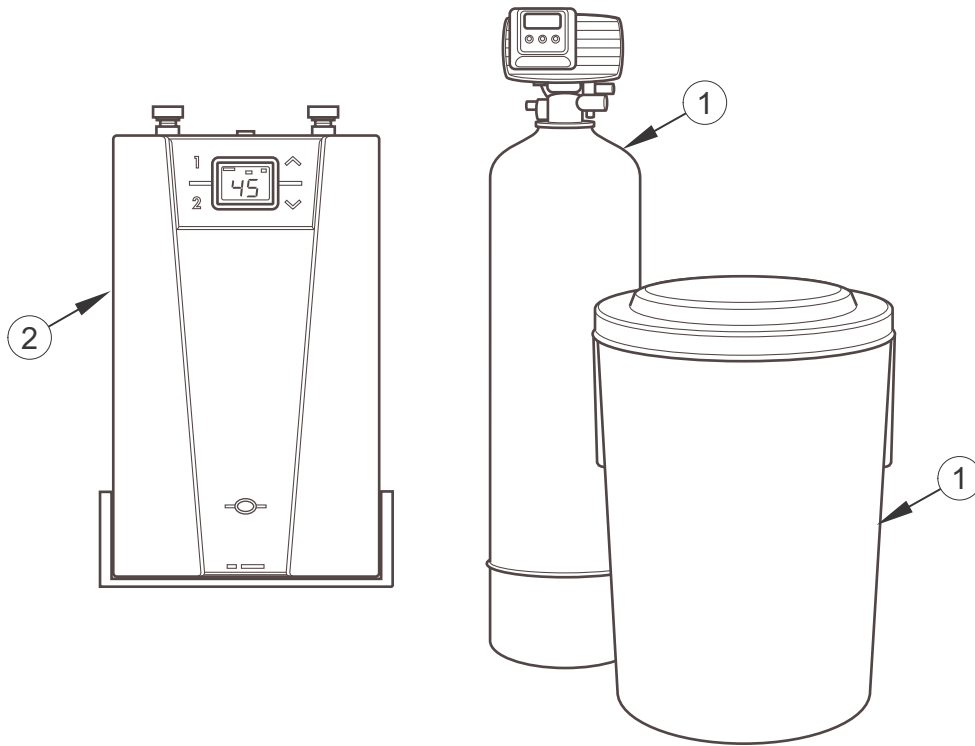


CZW72P_D2307

Wet Cleaning - With Built-In Recirculation Pump

REF	PART NO.	DESCRIPTION	COMMENTS
	SP562749	Water Heater	6kW; 50/60Hz; 230V; Optional
	SP562736	Water Heater	8.8kW; 50/60Hz; 230V; Optional
	SP562737	Water Softener	AMVE 305; Optional
	SP562750	Water Softener	AMVE 505; Optional
	SP510971	Adhesive	Loctite 55
	SP245704005331	Adhesive	Loctite 5331
1	564202	Seal	6x15mm
2	SPPRI350003050	Adhesive Fixing Index Plate	
3	SP510929	Nut	M4
4	SP503817	Binding Strip	178 x 4.8
5	SP309965240408	Bolt	M4x8
6	SPPRI240000003	Hose Clamp	20-32
7	SP528313	Cable Holder	
8	567180	Hose Pharmasteel	25/33; l=1.89m
9	567152	Thorn	25-IG10; Includes sleeve nut
10	567181	Elbow	Inner / external thread G1 inch; 90 degree
11	567180	Hose Pharmasteel	25/33; 0.9m
12	SP310934000006	Nut	M6
13	SP311127000006	Washer	6
14	SP311902100006	Washer	6
15	567076	Pump	NH 200 PS
16	SP309933000416	Bolt	M4x16
17	SP311127000004	Washer	4
18	SP311902100004	Washer	4
19	567122	Pump Board	
20	SP567105	Soap Pump Kit	Four pumps; Includes suction hoses and tubes
	SP567106	Soap Pump Kit	Six pumps; Includes suction hoses and tubes
21	567167	Drain Jet	3/4 inch
22	567168	O-Ring	Flat; 40x27x 2.5
23	567166	Nut	Flat; 3/4 inch; Sleeve
24	567169	O-Ring	Flat; 17x24x2.5
25	567170	Nut	3/4 inch; Sleeve
26	567171	Hose End	90 degree
27	SPPRI540001019	Hose	19/27; l=0.08m
28	567172	T-Part	20; PE coupling
29	SPPRI540001019	Hose	19/27; l=0.06m
30	567173	Hose Coupling	T3/4 x 1 inch

Wet Cleaning - Without Built-In Recirculation Pump

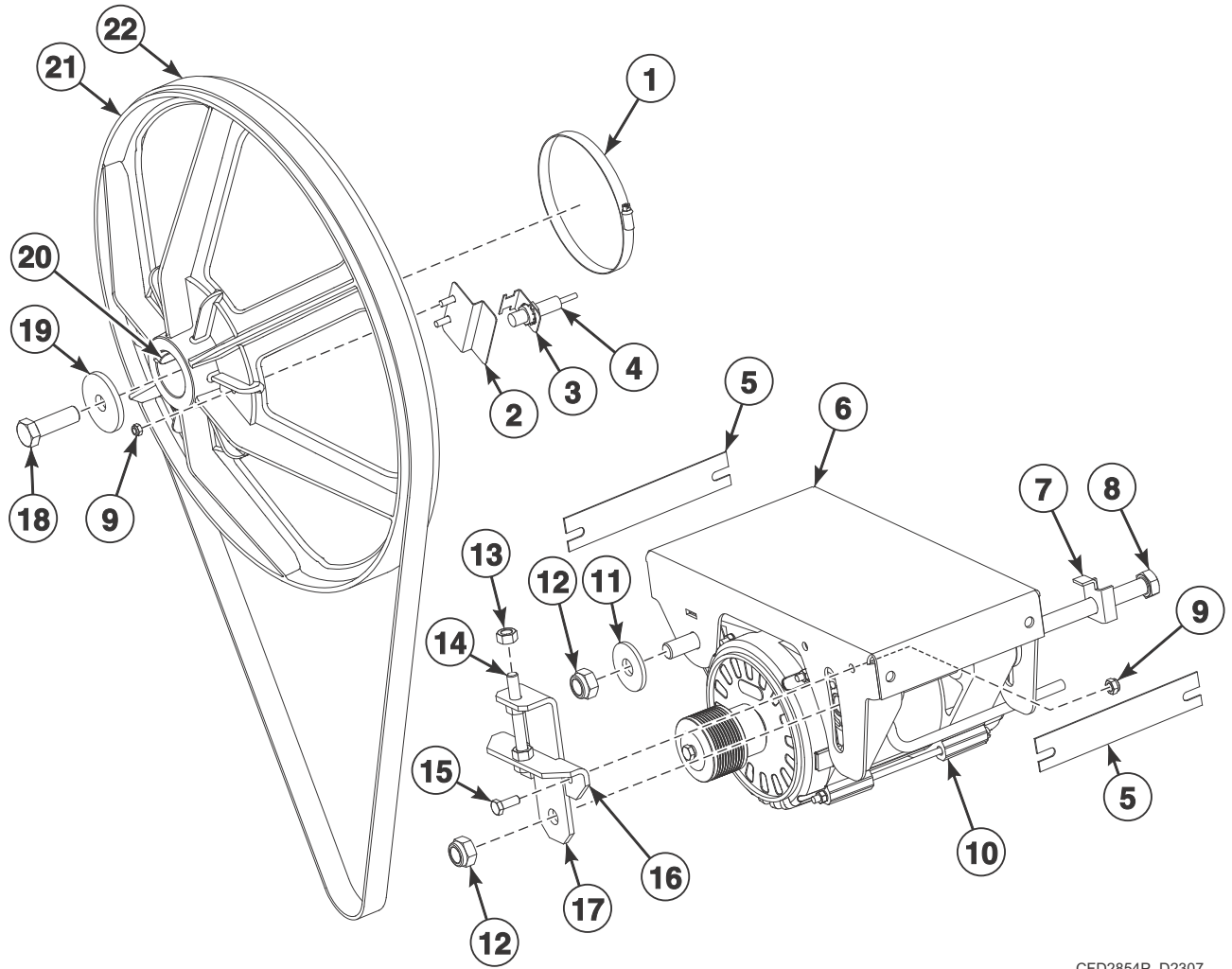


C-CZW57P_D2307

Wet Cleaning - Without Built-In Recirculation Pump

REF	PART NO.	DESCRIPTION	COMMENTS
	SP567105	Soap Pump Kit	Four pumps; Includes suction hoses and tubes; CE and Watermark
	SP567106	Soap Pump Kit	Six pumps; Includes suction hoses and tubes; CE and Watermark
	F8654201	Wet Cleaning Kit	PYN models; CSA
1	SP562737	Water Softener	AMVE 305; Optional; CE and Watermark
	SP562750	Water Softener	AMVE 505; Optional; CE and Watermark
2	SP562749	Water Heater	6kW; 50/60Hz; 230V; Optional; CE and Watermark
	SP562736	Water Heater	8.8kW; 50/60Hz; 230V; Optional; CE and Watermark

Drive

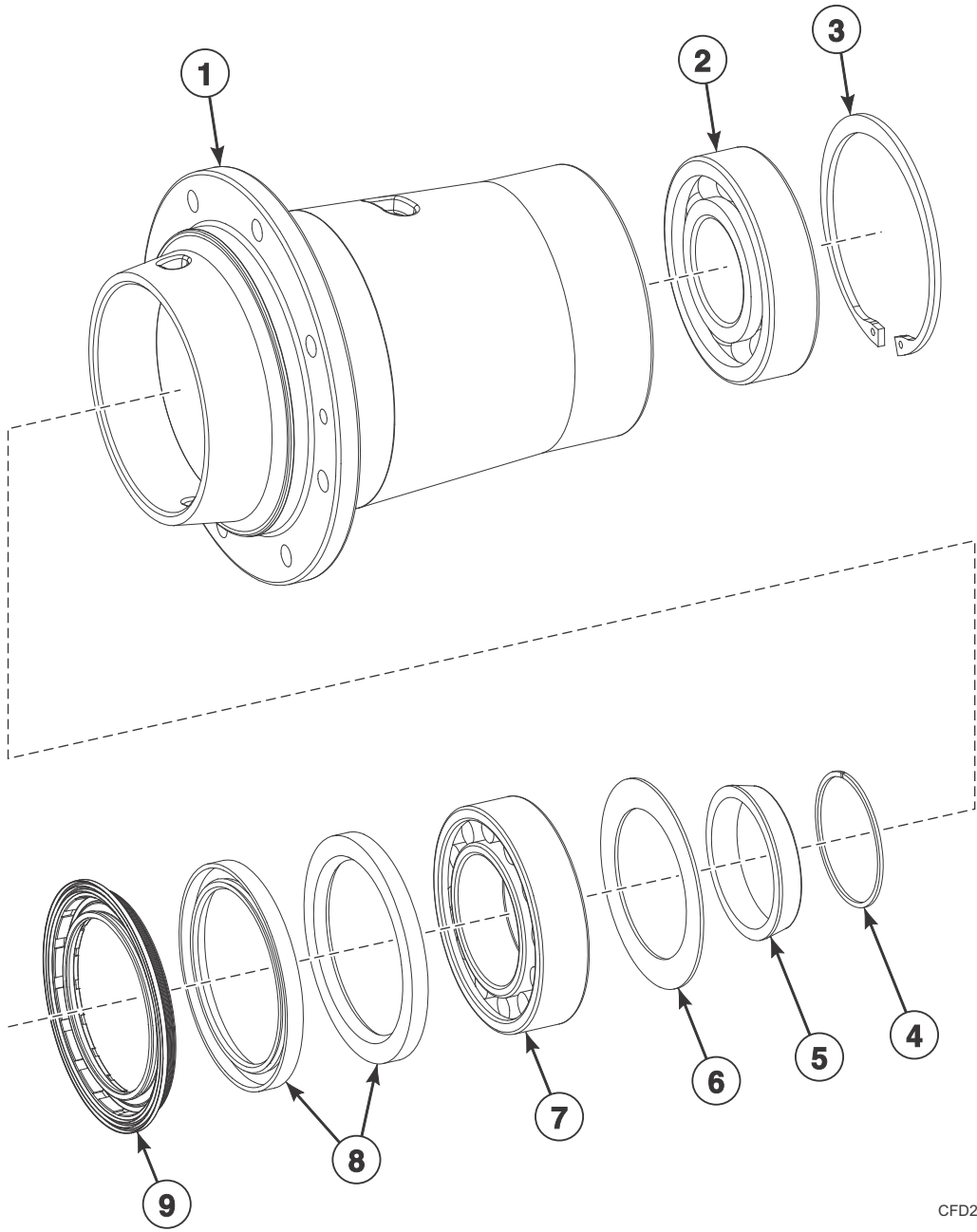


CFD2854P_D2307

Drive

REF	PART NO.	DESCRIPTION	COMMENTS
1	SP529013	Clamp	
2	SP555542	Speed Sensor Plate	
3	SP555547	Speed Sensor Holder	
4	SP557701	Speed Sensor	
5	SP550033	Shim	
6	SP533811	Motor Holder	
7	SP533742	Cage	1
8	SP547780	Bolt	M12x240
9	SP310985000006	Nut	M6
10	SP555588	Motor and Pulley	3kW, 230V/75Hz; CE
	SP555589	Motor and Pulley	3kW, 400V/76Hz; CE
	SP557457	Motor and Pulley	3kW, 230V/75Hz; CSA
	SP557458	Motor and Pulley	3kW, 400V/76Hz; CSA
11	SP311902100012	Washer	12
12	SP310985000012	Nut	M12
13	SP310934000008	Nut	M8
14	SP309933000880	Bolt	M8x80
15	SP309933000616	Bolt	M6x16
16	SP533326	Tensioning Angle Piece	Fixed
17	SP547705	Tensioning Angle Piece	Movable
18	SP309933001630	Bolt	M16x30
19	SP511924	Washer	
20	SP308726014050	Feather	
21	SP547706	V-Pulley Drum	
	PRI702000010	Lubrication Grease	Used with SP547706 V-Pulley Drum
22	SP547781	Belt	

Bearing Housing

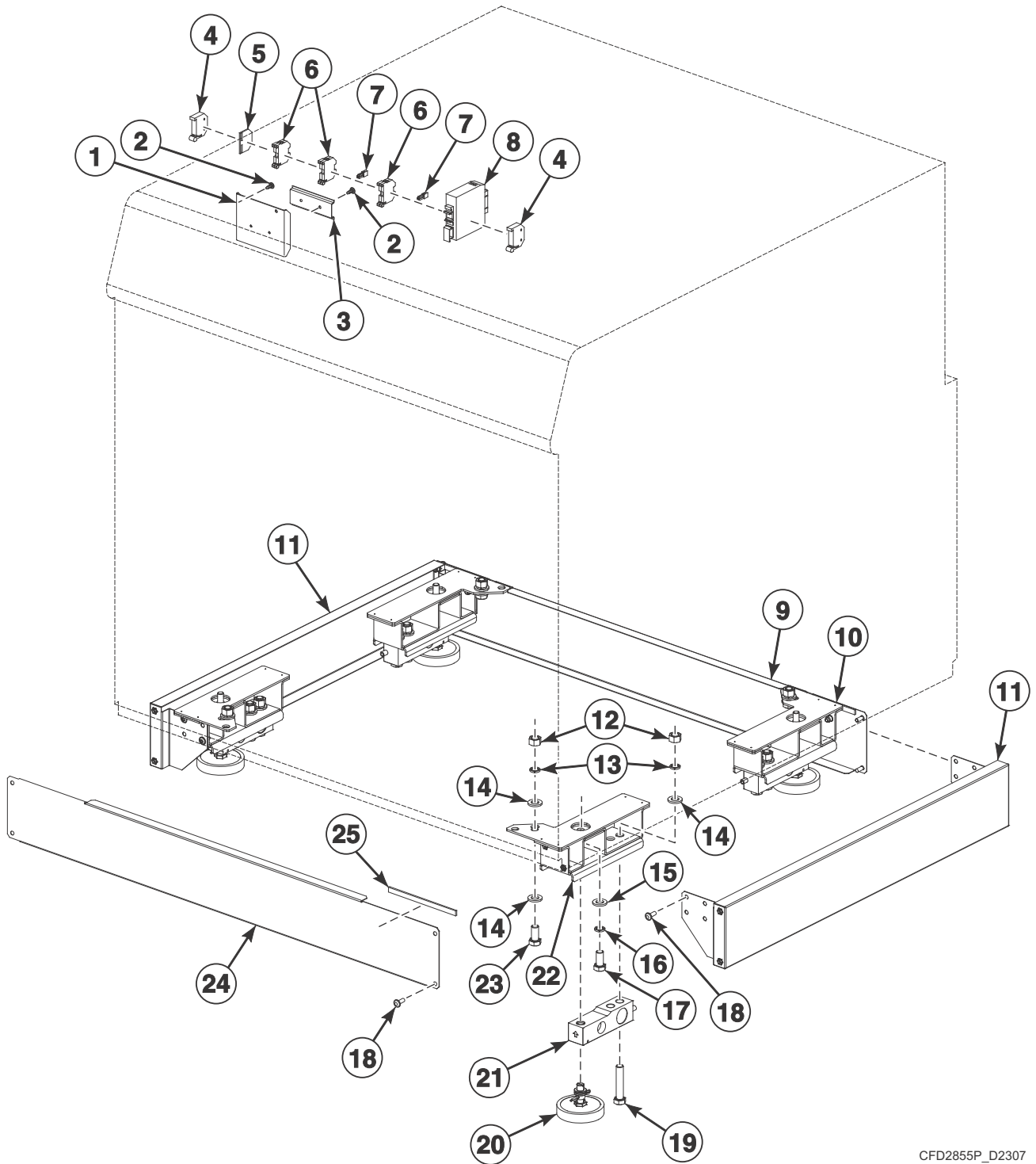


CFD2748P_D2307

Bearing Housing

REF	PART NO.	DESCRIPTION	COMMENTS
	SP245704000603	Adhesive	Loctite 603
	SP111313000002	Lubrication Grease	
	SP537868	Bearing Housing	
	SP538787	Bearing Replacement Tool Kit	
1	SP537867	Bearing Housing	
2	SPPRI608000080	Bearing	6312
3	SP307732031130	Retaining Ring	130
4	SPPRI242000014	Retaining Ring	
5	SP556115	Mounting Cone	
6	SP552973	Grease Holder	
7	SPPRI608000079	Bearing	NU 2215 EC
8	SP506475	Sealing Ring	100x130x10; Includes only 1 piece, 2 pieces required
9	SP537879	Sealing Ring	100x130/144x9/12

Weighing System

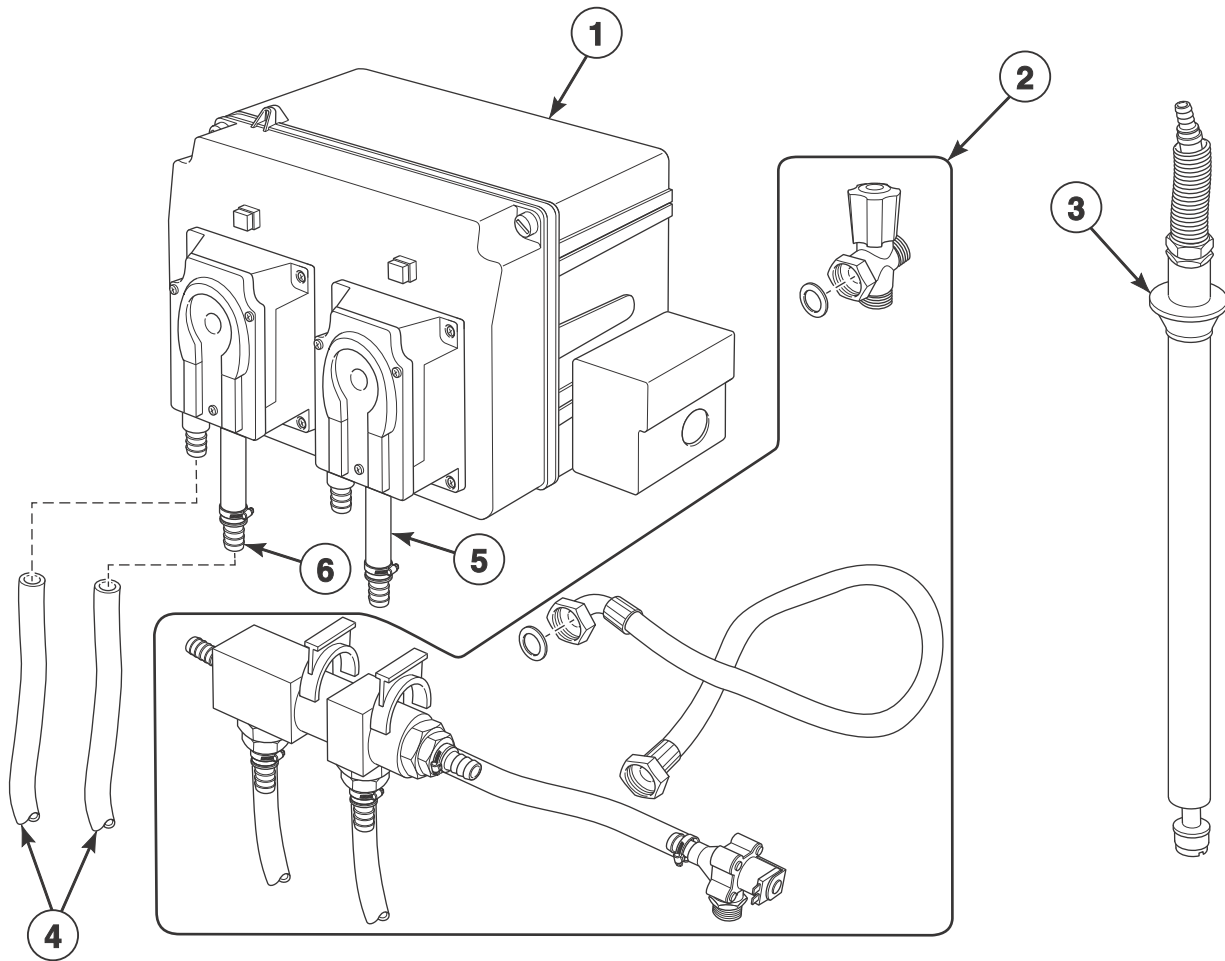


CFD2855P_D2307

Weighing System

REF	PART NO.	DESCRIPTION	COMMENTS
	554218	Weighing System Kit	Includes items 1-25
1	SP549791	Amplifier Unit Holder	
2	SP529206	Screw	4x11
3	SP541442	Support Rail	
4	SP346000209101	End Stop	
5	SP346000280301	Cover	
6	SP346000280101	Clamp	280-101; Gray
7	SP346000280402	Interconnection	280-402
8	SP516968	Amplifier	
9	SP554242	Rear Cover	
10	SP554235	Load Sensor Holder	Right
11	SP554225	Side Cover	
12	SP310934000012	Nut	M12
13	SP311127000012	Washer	12
14	SP311125000013	Washer	13
15	SP311902100010	Washer	10
16	SP311127000010	Washer	10
17	SP309933001025	Bolt	M10x25
18	SP537864	Bolt	M6x16
19	SP309933001260	Bolt	M12x60
20	SP516956	Adjustable Foot	
21	SP529101	Load Sensor	
22	SP554232	Load Sensor Holder	Left
23	SP309933001225	Bolt	M12x25
24	SP554220	Front Cover	
25	SP284000012003	Tape	

Liquid Soap Supply System - Pumps

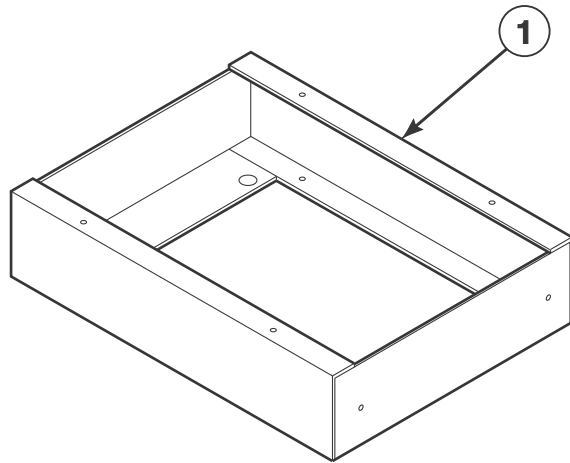


CZW45P_D2307

Liquid Soap Supply System - Pumps

REF	PART NO.	DESCRIPTION	COMMENTS
	MB90-Z40	Supply Pump Kit	For two pumps
	MB90-Z41	Supply Pump Kit	For three pumps
	MB90-Z42	Supply Pump Kit	For four pumps
	MB90-Z43	Supply Pump Kit	For five pumps
	MB90-Z44	Supply Pump Kit	For six pumps
1	529742	Pump	Two
	529743	Pump	Three
	529744	Pump	Four
	529745	Pump	Five
	529746	Pump	Six
2	529789	Manifold Flush Kit	For two pumps
	529797	Manifold Flush Kit	For three pumps
	529798	Manifold Flush Kit	For four pumps
	529799	Manifold Flush Kit	For five pumps
	529800	Manifold Flush Kit	For six pumps
3	529787	Suction Tube	
4	SPPRI540020005	Hose	d10/14
5	529747	Hose	Spare hose for pump
6	547808	Connection	

Elevated Base Frame



CFD3235P_D2307

Elevated Base Frame

REF	PART NO.	DESCRIPTION	COMMENTS
1	551950	Elevated Base Frame	For mounting one machine; Refer to NOTE*
	551951	Elevated Base Frame	For mounting two machines; Refer to NOTE*
	551952	Elevated Base Frame	For mounting three machines; Refer to NOTE*
	551953	Elevated Base Frame	For mounting four machines; Refer to NOTE*
	551954	Elevated Base Frame	For mounting five machine; Refer to NOTE*

* NOTE: Part can only be ordered through the Equipment Order Desk.

Wire Harnesses

PART NO.	DESCRIPTION	COMMENTS
557734	Interconnection	PYN models; CFI - FI; CSA
552495	Transformer Connection	PYN models; CSA
528064	Steam Heat Wiring	PYN models; Steam heat; CSA
SPPRI351000161	Steam Valve Cable	Steam heat; CE and Watermark
552477	Inlet Valve Extension Wiring	High volume water inlets
552466	Wireless Reader Wiring	PYN models; Vended; CSA
557735	Interconnection	PYN models; Vended; CSA
SP528270	Door Lock Wiring	MC6; CE and Watermark
SPPRI351107209	Heating Contactor Wiring	l=440mm; For 6kW/230V, 9kW/400V; CE and Watermark
SPPRI351108209	Heating Contactor Wiring	l=440mm; For 9kW/230V, 12kW/400V; CE and Watermark
SPPRI351105209	Heating Contactor Wiring	l=440mm; For 12kW/230V, 18kW/400V; CE and Watermark
100222	Heating Contactor Wiring	l=700mm; For 9kW/230V, 12kW/400V; CE and Watermark
100223	Heating Contactor Wiring	l=700mm; For 12kW/230V, 18kW/400V; CE and Watermark
SPPRI351106209	Heating Contactor Wiring	l=700mm; For 18kW/230V, 24kW/400V; CE and Watermark
SP528439	Heating Wiring	CE and Watermark
SP552333	Heating Wiring	CE and Watermark
SP528335	Heating GND Wiring	CE and Watermark
SP528205	Frame GND Interconnection	
528350	Transformer Connection	400-480V, 3AC -N; CE and Watermark
SP547075	RS485 External Interconnection	For RS485 external interconnection to PC
528393	Wiring Steam - Electrical Heating	Steam - electrical heating modification
552387	Inlet Valve Extension Wiring	High volume water inlets; CE and Watermark
SP545235	Door Timer Wiring	Automatic door open execution; MC6; CE and Watermark
SP552455	Automatic Door Opening Module Wiring	Automatic door open execution; MC7

Parts Index

A

Adapter	
SP319428324012	73
SP547968	73
Adhesive	
SP101403	73
SP245704000050	75
SP245704000603	53, 73, 83
SP245704003021	15, 19, 23, 53, 75
SP245704005331	77
SP510971	77
SP537896	53
Adhesive Fixing Index Plate	
SPPRI350003050	77
Adjustable Foot	
SPPRI504000001	9
SP516956	85
Air Trap Reduction	
SPPRI503000027	65
Amplifier	
SP516968	85
Amplifier Unit Holder	
SP549791	85
Anticorrosive Agent	
SP510889	75
Automatic Door Opening Module Wiring	
SP552455	15, 19, 23, 90
Automatic Unlocking Module Assembly	
SP545238	15, 19, 23
SP552489	15, 19, 23

B

Bearing	
SPPRI608000079	83
SPPRI608000080	83
Bearing Housing	
SP537867	83
SP537868	83
Bearing Replacement Tool Kit	
SP538787	83
Belt	
SP547781	81
Binding Strip	
SP345000626088	65, 69
SP503817	69, 77
Board Interconnection Cable	
SP537995	41
SP547005	27, 35, 41
Bolt	
SPF02119000415	75
SP309084000308	41
SP309084000320	41
SP309084000408	17, 19, 23
SP309084000416	7, 9, 53, 57, 67, 71
SP309084240325	9
SP309798500306	27, 35, 41
SP309931001050	9
SP309933000416	51, 67, 77

SP309933000616	15, 19, 81
SP309933000620	69, 73
SP309933000820	7, 9, 65
SP309933000845	7
SP309933000880	81
SP309933001025	85
SP309933001225	85
SP309933001235	75
SP309933001250	75
SP309933001260	85
SP309933001630	81
SP309933100625	67, 71
SP309933240408	71
SP309933241035	75
SP309963000312	41
SP309965240408	77
SP506431	23
SP506432	9
SP527093	7
SP527420	9
SP533717	7
SP533726	9
SP535479	55
SP537854	53
SP537864	55, 85
SP547780	81
SP550482	25
SP553524	55
SP555504	27, 35, 41
SP555658	15, 17, 19, 21, 23, 25
SP556137	53
Bushing	
SP101406	71
SP101409	71

C

Cable	
SP545234	51, 71
557982	69
Cable Bushing	
SPPRI501000071	67
Cable Bushing Insert	
SP557952	71
Cable Clamp	
SP528392	71
Cable Eye	
345000034150	69
Cable Holder	
SP528313	27, 35, 69, 77
Cable Passage	
SP273121005052	15, 19, 23
SP273121015002	67
Cage	
SP533742	81
Casing	
SP529739	55
Clamp	
SP346000280101	85
SP529013	81
SP537822	75

N/A items do not appear in index.

Coil		
	SP554110.....	73
Coin Meter		
	SP537996.....	31, 47
	SP547600.....	29, 45
	SP547601.....	29, 45
	SP547602.....	29, 45
	SP547603.....	29, 45
	SP547604.....	29, 45
	SP547605.....	29, 45
	SP547606.....	29, 45
	SP547607.....	29, 45
	SP547608.....	29, 45
	SP547609.....	29, 45
	SP547610.....	29, 45
	SP547611.....	29, 45
	SP547612.....	29, 45
	SP547613.....	29, 45
	SP547614.....	29, 45
	SP547615.....	29, 45
	SP547616.....	29, 45
	SP547617.....	29, 45
	SP547618.....	29, 45
	SP547619.....	29, 45
	SP547620.....	29, 45
	SP547621.....	29, 45
	SP547622.....	29, 45
	SP547623.....	29, 45
	SP547624.....	29, 45
	SP547625.....	29, 45
	SP547626.....	29, 45
	SP547627.....	29, 45
	SP547628.....	29, 45
	SP547629.....	29, 45
	SP547630.....	29, 45
	SP547631.....	29, 45
	SP547634.....	29, 45
	SP547635.....	29, 45
	SP547636.....	29, 45
	SP547637.....	29, 45
	SP547638.....	29, 45
	SP547639.....	29, 45
	SP547640.....	29, 45
	SP547641.....	31, 47
	SP547642.....	31, 47
	SP547643.....	31, 47
	SP547644.....	31, 47
	SP547645.....	31, 47
	SP547646.....	31, 47
	SP547647.....	29, 45
	SP547648.....	29, 45
	SP547649.....	31, 47
	SP547651.....	31, 47
	SP547652.....	29, 45
	SP547653.....	31, 47
	SP547654.....	31, 47
	SP547656.....	29, 45
	SP547657.....	31, 47
	SP547658.....	31, 47
	SP547659.....	31, 47
	SP547660.....	31, 47
	SP547661.....	31, 47
	SP547662.....	31, 47
	SP547663.....	31, 47
	SP547664.....	31, 47
	SP547665.....	29, 45
	SP547666.....	29, 45
	SP547667.....	31, 47
	SP547668.....	31, 47

SP547669.....	31, 47
SP547670.....	31, 47
SP547671.....	31, 47
SP547672.....	31, 47
SP547673.....	31, 47
SP547674.....	31, 47
SP547675.....	31, 47
SP553156.....	39
SP555502.....	31, 47
SP555543.....	31, 47
SP555546.....	31, 47
SP555549.....	31, 47
SP555550.....	31, 47
SP555558.....	31, 47
SP555559.....	31, 47
SP555578.....	31, 47
SP555579.....	31, 47
SP555666.....	31, 47
SP558958.....	37
SP558959.....	37
SP559933.....	37
SP559934.....	37
SP559938.....	37
SP559949.....	37
SP559969.....	37
SP560071.....	39
SP560075.....	39
SP560082.....	31, 47
SP560083.....	33, 49
SP560084.....	33, 49
SP560085.....	33, 49
SP560086.....	33, 49
SP560087.....	39
SP560089.....	31, 47
SP560090.....	37
SP560091.....	37
SP560092.....	39
SP560093.....	39
SP560094.....	39
SP560100.....	39
SP560309.....	37
SP560310.....	37
SP560311.....	37
SP560312.....	37
SP560405.....	37
SP560406.....	37
SP560407.....	37
SP560408.....	37
SP560409.....	37
SP560410.....	37
SP560411.....	37
SP560412.....	37
SP560413.....	37
SP560414.....	37
SP560415.....	37
SP560416.....	37
SP560417.....	37
SP560418.....	37
SP560419.....	37
SP560420.....	37
SP560421.....	37
SP560422.....	37
SP560423.....	37
SP560424.....	37
SP560425.....	37
SP560426.....	37
SP560427.....	37
SP560428.....	37
SP560429.....	37

N/A items do not appear in index.

SP560432	37	Coin Meter Cover Plate	
SP560744	31, 47	SP558929.....	27, 35
SP560745	37	Coin Meter Covering Plate	
SP560751	37	SP547565.....	41
SP561497	39	Coin Vault Plate	
SP563405	39	SP533103.....	17, 19, 23
SP564485	39	566737	17, 19, 23
553150	33, 49	Communication Cable	
553151	33, 49	SP528324.....	67
560073	33, 49	SP528325.....	67
561378	33, 49	Compression Spring	
561496	33, 49	SP535406.....	55
563405	39	Conductor	
564484	33, 49	SP505446.....	69
564486	33, 49	505448	69
564487	39	Connection	
564489	33, 49	547808	87
569901	49	Connector	
569905	39	SP537856.....	53
569911	39	SP554156.....	73
569912	49	Contactactor	
569918	33, 49	SPPRI345002019.....	67
569919	39	SP514038.....	67
569921	29, 45	SP514042.....	67
569922	37	SP514043.....	67
569924	33, 49	Control Board	
569925	39	SP547001.....	41
569927	33, 49	SP553411	27, 35, 41
569928	39	SP553412.....	27
569930	33, 49	SP553419.....	35
569931	39	Control Board Power	
569933	31, 47	SP547002.....	41
569934	37	SP553405.....	27, 35, 41
569936	33, 49	Control Panel	
569937	39	SP557585.....	27
569939	31, 47	SP558907.....	35
569940	37	Cover	
569942	33, 49	SPPRI543000004.....	27, 35, 41
569943	39	SP346000280301.....	85
569945	33, 49	SP552972.....	53
569946	39	Cover Plate	
569948	31, 47	SP550149.....	41
569949	39	Cover Strip Pin	
569951	31, 47	SP533738.....	7
569952	39	CPS Cover Plate	
569954	33, 49	SP558930.....	27, 35
569955	39	Cross Piece	
569961	33, 49	SP537824.....	75
569962	39		
569964	31, 47		
569965	37		
569967	33, 49		
569968	39		
569970	33, 49		
569971	39		
569973	33, 49		
569974	39		
569979	33, 49		
569980	39		
569993	39		
569995	39		
Coin Meter Box			
SP102532	51		
100498	51		
Coin Meter Case			
SP547548	51		
SP550436	51		
568039	51		
568041	51		

D

Damper	
SP533716.....	9
Dispenser Lid	
SP526461	59, 63
SP551695.....	59, 63
Dispenser Pipe	
SP526490.....	59, 61
Dispenser Seal	
SP540158.....	59, 63
Distance Case	
SP515274.....	7

N/A items do not appear in index.

Distinguishing Ring			
SP535411	55	Emergency Stop Connector	
SP535437	55	SP528311	27, 35, 41
Door		Emergency Stop Interconnection	
SP535443	55	SP520033	27, 35, 41
SP535445	55	Emergency Stop Knob	
Door and Lock Holder		SP528310	27, 35, 41
SP537883	53	Emergency Stop Wiring	
Door Assembly		SP520032	27, 35, 41
SP556272	53	End Cover	
SP559369	53	552483	69
537930	53	End Stop	
537932	53	SP346000209101	85
556254	53	Extension	
562706	53	SPPRI426003217	61
Door Glass		External Block Signal Cable	
SP535439	53	SP557947	71
SP556228	53	SP557948	71
SP562703	53	External Tub	
Door Lock Wiring		SP537837	75
SP528270	90	SP537922	75
SP552453	53	567160	75
SP552454	53	567200	75
Door Seal		External Tub Front Plate	
569352	55	SP537819	75
Door Timer Wiring			
SP545235	90		
Double Check Valve			
F8301201	57, 61		
Double Reverse Valve			
RSPB12543901	57, 61		
Drain Elbow			
SP235100018724	65		
SP519463	65		
SP526500	65		
Drain Hose Pipe			
SP526492	65		
Drain Jet			
567167	77		
Drain Valve			
SP526460	65		
Drain Valve Chamber			
553195	65		
Drain Valve Holder			
SP526513	65		
Drain Valve Motor			
SPPRI340002051	65		
Drain Valve Seal			
554276	65		
<hr/>			
E		F	
Edge Protection		Fastener	
SP529068	17, 21, 25	SP550115	15, 19, 23
Elbow		Feather	
SPPRI426002072	61	SP308726014050	81
567181	77	Filling Elbow Pipe	
Elevated Base Frame		SP526506	57, 61
551950	89	Filling Hose Pipe	
551951	89	RSPF200166	57, 61
551952	89	SPPRI505000054	57
551953	89	SP101621	57, 61
551954	89	SP533036	61
		SP547980	57
		Filter	
		SPPRI340004030	57, 61
		SP525935	67
		SP552251	67
		Fixed Lower Hinge	
		SP537840	55
		SP556274	55
		Fixed Upper Hinge	
		SP537839	55
		SP556273	55
		Flap	
		SP540113	59, 63
		Foam Roller	
		SP100188	65
		Frame GND Interconnection	
		SP528205	90
		Frequency Inverter	
		SP525929	67
		SP525932	67
		Front Cover	
		SP554220	85
		Front Panel	
		SP533211	25
		SP533213	25

N/A items do not appear in index.

SP533278	17, 25
SP533280	17, 25
SP556129	53
SP556232	53
SP557058	21
SP557059	21
SP562726	21
SP562727	21
563462	17, 25
563464	17, 25
568049	25
568051	17, 25
568061	21
568065	21
Fuse	
SP345805005020	71
SP345805163032	71
Fuse Glass	
569725	69
Fuse Holder	
SPPRI401001020	71
Fuse Housing	
SPPRI401003020	71
552482	69

G

Grease Holder	
SP552973	83

H

Handle	
SP552908	55
SP552909	55
SP556297	55
SP562898	55
569335	55
Handle Ball	
SP535407	55
Handle Lower Part	
SP535429	55
Handle Torsion Spring	
SP535402	55
Heating Contactor Wiring	
SPPRI351105209.....	90
SPPRI351106209.....	90
SPPRI351107209.....	90
SPPRI351108209.....	90
100222	90
100223	90
Heating Element	
SP540127	75
SP540132	75
Heating Element Front Cover	
SP537927	53
SP556237	53
Heating Element Hole Plug	
SPPRI342001016	73
Heating GND Wiring	
SP528335	90
Heating Wiring	
SP528439	90

SP552333.....	90
Hinge	
SP516832.....	15, 19, 23
Hinge Spacer	
SP535421.....	55
SP537849.....	53
Holder	
SPPRI326002004.....	15, 19, 23
Holder Cover	
SP535430.....	55
SP535438.....	55
SP556278.....	55
Holder Partition	
SP526593.....	67
Hook	
SPPRI551016250.....	15, 19, 23
Hook Lock	
SPPRI610002007.....	15, 19, 41
Hose	
SPPRI503002049.....	65
SPPRI540000014.....	59, 61
SPPRI540001019.....	61, 77
SPPRI540020005.....	87
529747	87
Hose Clamp	
SPPRI240000002.....	59, 61
SPPRI240000003.....	57, 61, 65, 77
SPPRI240000007.....	57, 61, 65
SPPRI240000017.....	57, 61
SPPRI240000021.....	59, 63, 65
SPPRI241000017.....	65
SP526491.....	57, 61
SP526532.....	65
Hose Coupling	
567173	77
Hose End	
567171	77
Hose Pharmasteel	
567180	77
Hose Pipe	
SP101745.....	59

I

Inlet Valve Extension Wiring	
552387	90
552477	90
Interconnection	
SP533742.....	85
SP545220.....	69
528169	69
557734	90
557735	90
564682	69
Internal Vessel	
SP540116.....	59, 63
Isolation	
557936	69
Isolation Cavity	
345000966067	69
Isolation Paper	
SPPRI350012007.....	51

N/A items do not appear in index.

K

Key	SP550616	15, 19, 41
Keyboard		
	SP547007	43
	SP547015	43
	SP547016	43
	SP547017	43
	SP547018	43
	SP547027	27, 43
	SP547028	27, 43
	SP547029	27, 43
	SP547030	27, 43
	SP547039	43
	SP547040	43
	SP547041	43
	SP547042	43
	SP552912	43
	SP556256	43
	SP557571	35
	SP557572	35
	SP557577	27
	SP557578	27
	SP557581	27
	SP557584	27
	SP559376	35
	SP560757	43
	SP560763	35
	SP560764	35

L

Label		
	SP562738	43
	SP563293	43
	SP564831	55
	557981	69
	560786	23
	564844	17
	567186	35
Lath		
	SP547574	41
Leading Pin		
	SP550113	27, 35
Liquid Detergent Box		
	SP540123	71
Liquid Soap Supply Connection Kit		
	SP528443	67
Load Sensor		
	SP529101	85
Load Sensor Holder		
	SP554232	85
	SP554235	85
Locating Segment		
	SP529710	55
Lock		
	SP537760	53
	SP547527	15, 19, 41
Lock Pin		
	SP537933	55
Logo Label		
	SP537955	41

Lower Frame		
	SP533801	9
Lower Hinge		
	SP537842	55
	SP556276	55
Lower Rear Cover		
	SP533384	17, 21, 25
Lower Weight		
	SP533784	7
	SP533814	7
Lubrication Grease		
	PRI702000010	81
	SP111313000002	83

M

Main Switch		
	SPPRI404000097	67
	SPPRI404000098	67
	SPPRI404000099	67
	SPPRI404001098	67
	SPPRI404001099	67
	SP506407	67
Main Switch Knob		
	SPPRI404000095	71
Main Vessel		
	SP540115	59, 63
Main Wiring		
	SP528429	67
	SP552476	67
	SP557769	67
Manifold Flush Kit		
	529789	87
	529797	87
	529798	87
	529799	87
	529800	87
Microswitch		
	SP506045	51
	SP528309	9
Mixer		
	SP526558	57, 61
Mixer Body		
	SP526565	57, 61
Mixer Lid		
	SP526557	57, 61
Motor and Pulley		
	SP555588	81
	SP555589	81
	SP557457	81
	SP557458	81
Motor Holder		
	SP533811	81
Mounting Cone		
	SP556115	83

N

Nut		
	SP101416	67
	SP101419	67
	SP310934000003	9
	SP310934000004	27, 35, 41, 51, 67, 71

N/A items do not appear in index.

SP310934000006	77
SP310934000008	81
SP310934000010	9
SP310934000012	85
SP310934000020	9
SP310934100006	67
SP310934240008	75
SP310985000006	23, 53, 55, 81
SP310985000008	7, 9
SP310985000010	9
SP310985000012	75, 81
SP313251000006	73
SP313251002104	53
SP510929	77
SP514193	21
567166	77
567170	77

O

O-Ring	
567168	77
567169	77
Oscillation Limiter	
SP533388	7
Overflow Tube	
SP547897	57, 61

P

Panel Holder	
SP533296	23
SP557623	15
SP560303	19
Pin	
SP540117	59, 63
Pin Insertion	
SP520408	9, 15, 17, 19, 23, 27, 35
Pipe Nipple	
SPPRI426001217	61
SPR22112000114	73
SP510120	61
Plasticine	
563260	55
Plug	
SPPRI426001268	73
Profiled Sealing	
SPPRI505000058	19, 65
Programmer Holder	
SP547571	41
SP550005	41
SP557618	27
SP558896	35
Programming Cable	
F8600501	27, 35, 41
Pump	
529742	87
529743	87
529744	87
529745	87
529746	87
567076	77

Pump Board	
567122	77
Pump Relay Board to LED Terminal Cable	
SP528150	71

R

Rear Cover	
SP547882	17, 19, 23
SP554242	85
Rear Panel	
SP547880	69
SP554384	69
Rear Panel Lid	
SP526567	71
Rear Spring Holder	
SP555495	11, 13
Reduction	
567174	57, 61
Reinforcement	
SP558881	15
SP558945	19
Reinforcement Tube	
SP500125	65
Relay	
SP514057	69
Relay Case	
SP506586	69
Relay Clamp	
SP514135	69
Retaining Ring	
SPPRI242000014	83
SP307732031130	83
Reverse Function Drain Valve	
SP547821	65
Rivet	
SP313250004007	67
SP313250048008	15, 19, 23
SP547779	9, 15, 17, 19, 23, 27, 35, 53
Roller	
SP533727	9
RS485 External Interconnection	
SP547075	90

S

Screw	
SP309798124313	59, 63
SP526497	57, 61, 65
SP529206	11, 13, 23, 25, 51, 59, 63, 65, 67, 71, 85
Seal	
SPPRI520001009	57, 61
SP517232	7, 15, 19, 25
SP526564	73
SP537821	75
564202	77
Sealant	
SPPRI704000053	57, 75
Sealing Ring	
SP506475	83
SP537879	83

N/A items do not appear in index.

Transformer Connection	
528350	90
552495	90

U

U Shape	
SP556999	21
SP557000	21
568063	21
Upper Frame	
SP533806	7
Upper Hinge	
SP537841	55
SP556275	55
Upper Lid Prop	
SP533341	15, 19, 23
USB Cable	
SP547006	51, 71
USB Connection	
SP557744	35

V

Valve, 1-Way	
SP554211	61
SP567064	61
Valve, 2-Way	
SP547958	57
Valve, 3-Way	
SP547959	57, 61
Valve, 4-Way	
SP548933	57
Vent Hose	
SP526510	57, 61
Vibration Switch Assembly	
SP547758	9
Vibration Switch Holder	
SP547759	9
V-Pulley Drum	
SP547706	81

W

Washer	
SPPRI231000062	61
SPPRI522000012	15, 19
SP311125000003	9
SP311125000004	41, 67, 71
SP311125000006	15, 19, 73
SP311125000013	75, 85
SP311125100006	67
SP311125240006	69
SP311125240008	75
SP311127000004	67, 71, 77
SP311127000006	15, 19, 73, 77
SP311127000010	85
SP311127000012	85
SP311679800003	9, 27, 35, 41
SP311679800004	7, 9, 25, 27, 35, 41
SP311679824006	67, 69
SP311902100004	9, 21, 27, 35, 41, 77

SP311902100006	23, 55, 77
SP311902100008	65
SP311902100010	9, 85
SP311902100012	81
SP511924	81
SP525284	7
SP530884	51
SP537898	75
SP547981	73
563361	67

Washing Drum	
SP537830	75
563248	75

Water Heater	
SP562736	77, 79
SP562749	77, 79

Water Hose	
F200164	57, 61

Water Level Switch Hose	
SPPRI540001003	65

Water Softener	
SP562737	77, 79
SP562750	77, 79

Water Level Sensor	
SP562708	65

Weighing System Kit	
554218	85

Wet Cleaning Kit	
F8654201	79

Wireless Reader Wiring	
552466	90

Wiring Steam - Electrical Heating	
528393	90

Y

Y-Piece	
SPPRI503000028	65

N/A items do not appear in index.

