

Drying Tumblers

20, 30, 50 and 75 Pound Capacities

Refer to Page 3 for Model Numbers

Parts



Table of Contents

Title	Page
Parts Ordering Information.....	2
Serial Plate Location	2
Model Identification	3
Cabinet Front and Dust Filter.....	4
Thermostat.....	6
Thermostat Hygrometer	8
Top Front Panel	10
Middle Front Panel.....	12
Door	14
Door Assembly.....	16
Lower Front Panel.....	18
Operating Door - DX3 and DX3R OPL Models.....	20
Operating Door - DX3S and DX3RS OPL Models	22
Operating Door - DX3 and DX3R Coin Models.....	24
Operating Door - DX3S and DX3RS Coin Models.....	26
Operating Door - PRO OPL Models.....	28
Operating Door - PRO/HC OPL Models without Plugs	30
Operating Door - PRO/HC OPL Models with Plugs	32
Drum - DR20 Models	34
Drum - DR30 Models	36
Drum - DR50 and DR75 Models	38
Cabinet Back.....	40
Airflow Switch Assembly	42
Drum Drive - DR20 Models.....	44
Drum Drive - DR30 Models.....	46
Drum Drive - DR50 and DR75 Models.....	48
Drum Drive and Reduction - DR20 and DR30 Models.....	50
Drum Drive and Reduction.....	52
Motor, Fan and Drum Drive - DR20 and DR30 Models	54
Motor, Fan and Drum Drive	56
Motor Fan.....	58
Motor Drive	60
Electric Junction Box (Drawing 1 of 2)	62
Electric Junction Box (Drawing 2 of 2).....	64
Gas Heating System - DR20 and DR30 Models.....	66
Gas Heating System - DR50 and DR75 Models.....	68
Electric Heating System.....	70
Steam Heating System	72
Parts Index.....	75

© Copyright 2011, Alliance Laundry Systems LLC

All rights reserved. No part of the contents of this book may be reproduced or transmitted in any form or by any means without the expressed written consent of the publisher.

Parts Ordering Information

If literature or replacement parts are required, contact the source from whom the machine was purchased or contact Alliance Laundry Systems at (920) 748-3950 for the name and address of the nearest authorized parts distributor.

For technical assistance, call either of the numbers listed below:

(920) 748-3121 Ripon, Wisconsin

+32 56 41 20 54 Wevelgem, Belgium

Serial Plate Location

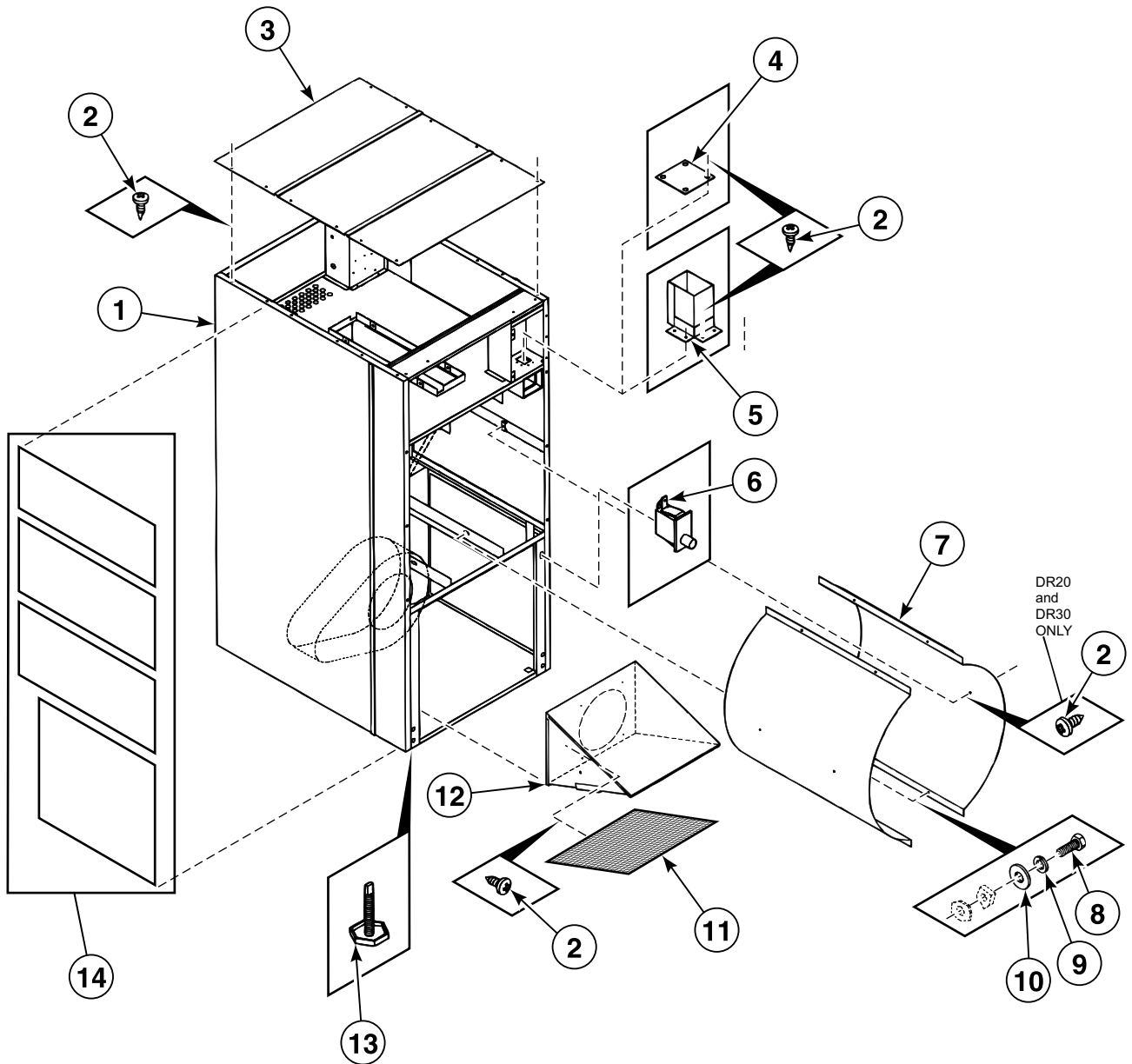
When calling or writing about your product, be sure to mention model and serial numbers. Model and serial numbers are located on serial plate(s).

Model Identification

Information in this manual is applicable to these tumbler models:

DR20
DR30
DR50
DR75

Cabinet Front and Dust Filter

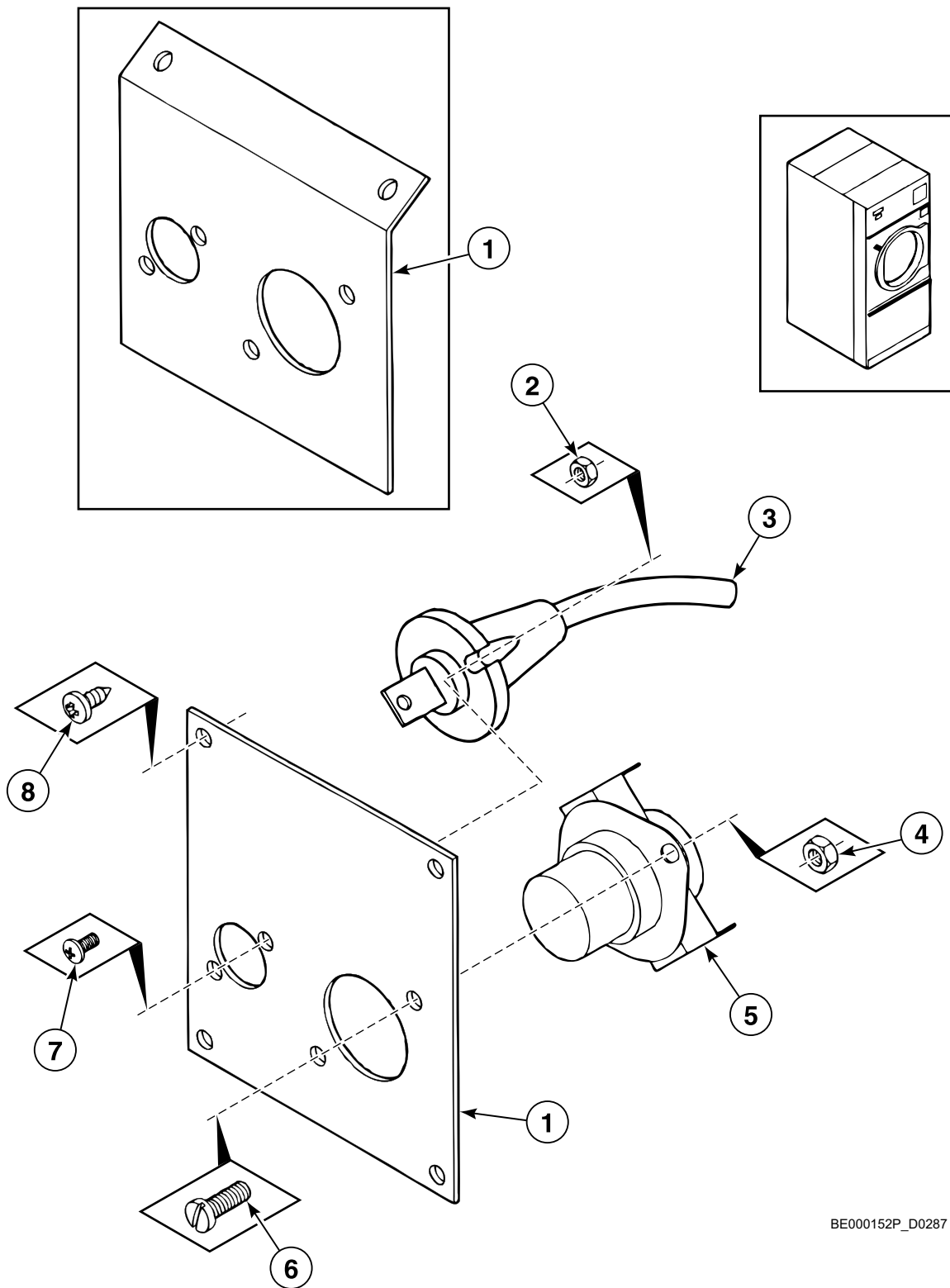


BE000182AP_D0287

Cabinet Front and Dust Filter

REF	PART NO.	DESCRIPTION	COMMENTS
1	254/CSA50/035	Side Panel	Model DR20
	254/CSA50/036	Side Panel	Model DR30
	254/CSA50/037	Frame and Side Panels	Model DR50; Gas and electric
	254/CSA50/050	Frame and Side Panels	Model DR50; Steam
	254/CSA50/045	Frame and Side Panels	Model DR75; Gas and electric
	254/CSA50/052	Frame and Side Panels	Model DR75; Steam
2	254/TU007/733	Screw	
3	254/CA011/925	Top Panel	Model DR20
	254/CA011/987	Top Panel	Model DR30
	254/CA012/073	Panel	Model DR50
	254/CA013/027	Panel	Model DR75
4	254/CA011/546	Cover Plate	Models DR50 and DR75
5	254/CSA01/435	Coin Box	
6	254/EA000/650	Microswitch	
7	254/CA013/047	Air Channel Drum	Model DR20
	254/CA011/991	Air Channel Drum	Model DR30
	254/CA013/083	Air Channel Drum	Model DR50; Steam
	254/CA013/026	Air Channel Drum	Model DR75; Gas and electric
	254/CA013/095	Air Channel Drum	Model DR75; Steam
	254/CA012/070	Air Channel Drum	Model DR50; Gas and electric
8	254/CB000/036	Bolt	
9	254/TU002/846	Washer	
10	254/TU002/847	Washer	
11	254/CSA00/839	Lint Filter	Models DR20, DR30 and DR50
	254/CSA00/817	Lint Filter	Model DR75
12	254/CSA01/528	Dust Filter	Models DR20, DR30 and DR50
	254/CSA01/545	Dust Filter	Model DR75
13	254/TU003/211	Leveling Leg	
14	254/CA011/956	Dust Filter	Model DR30
	254/CA011/931	Dust Filter	Model DR20
	254/CA011/955	Lower Drum	Model DR30
	254/CA011/934	Lower Drum	Model DR20
	254/CA011/933	Top Drum	Model DR30
	254/CA011/932	Top Drum	Model DR20
	254/CA011/764	Burner	Model DR30
	254/CA011/763	Burner	Model DR20
	254/CSA01/425	Complete Side Insulation	Model DR50
	254/CSA01/512	Complete Side Insulation	Model DR75

Thermostat

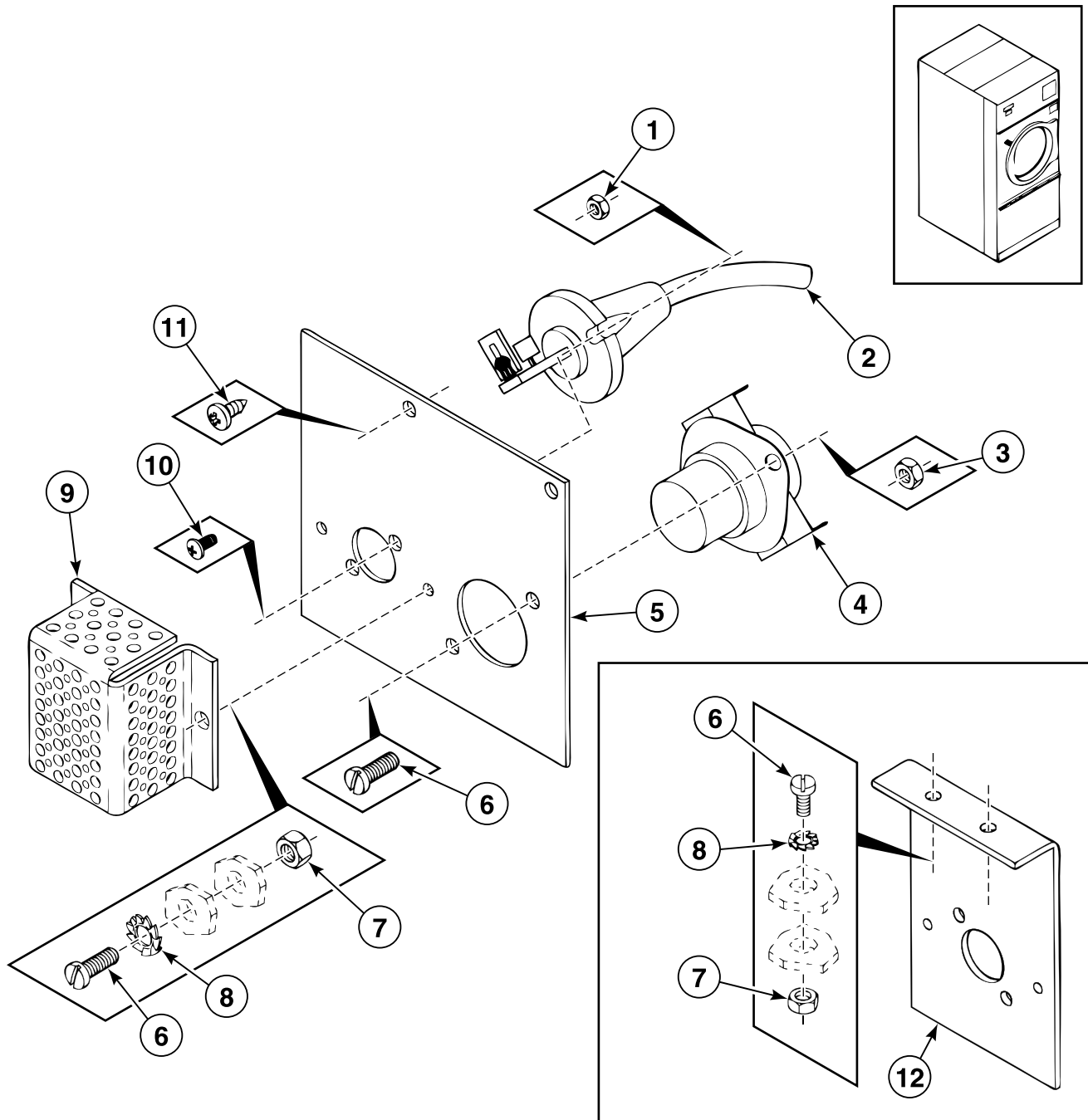


BE000152P_D0287

Thermostat

REF	PART NO.	DESCRIPTION	COMMENTS
1	254/CA013/067	Plate Assembly	
2	254/TU003/400	Nut	
3	254/00007/00	Temperature and Humidity Sensor	1700 mm
	254/00008/00	Temperature and Humidity Sensor	2000 mm
	254/00009/00	Temperature and Humidity Sensor	2300 mm
4	254/TU003/266	Nut	
5	254/EA000/594	Temperature Switch	
6	254/M0000/262	Screw	
7	254/SB000/952	Screw	
8	254/TU007/733	Screw	

Thermostat Hygrometer

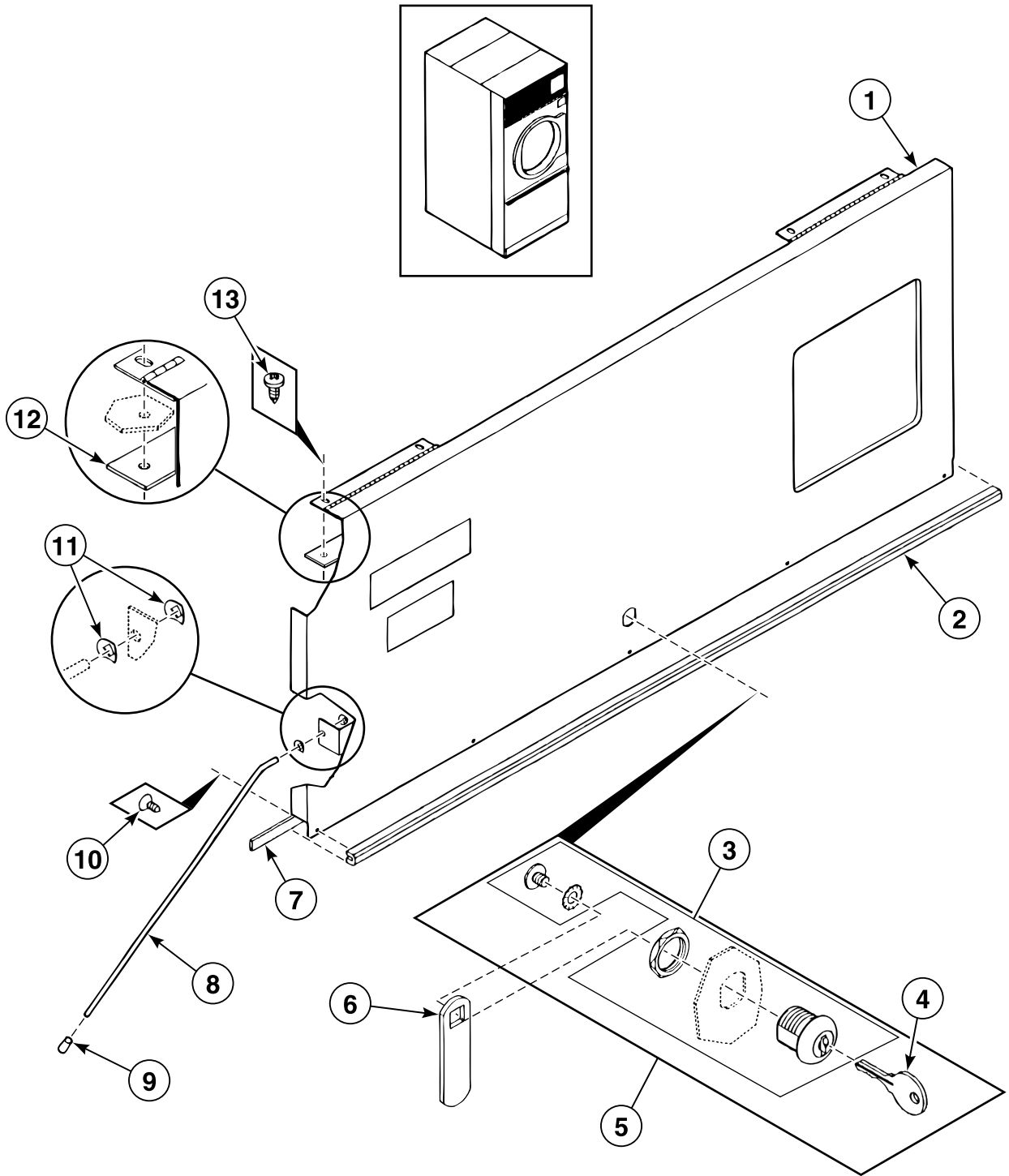


BE000150P_D0287

Thermostat Hygrometer

REF	PART NO.	DESCRIPTION	COMMENTS
1	254/TU003/400	Nut	
2	254/00058/00	Temperature and Humidity Sensor	1700 mm
	254/00059/00	Temperature and Humidity Sensor	2000 mm
	254/00071/10	Temperature and Humidity Sensor	2300 mm
3	254/TU003/266	Nut	
4	254/EA000/594	Temperature Switch	
5	254/00062/00	Plate Assembly	
6	207/0004/00	Screw	
7	204/0007/00	Nut	
8	203/00006/00	Washer	
9	254/00063/00	Thermostat/Hygrometer Protection	
10	254/SB000/952	Screw	
11	254/TU007/733	Screw	
12	254/00061/00	Top Plate Assembly	

Top Front Panel

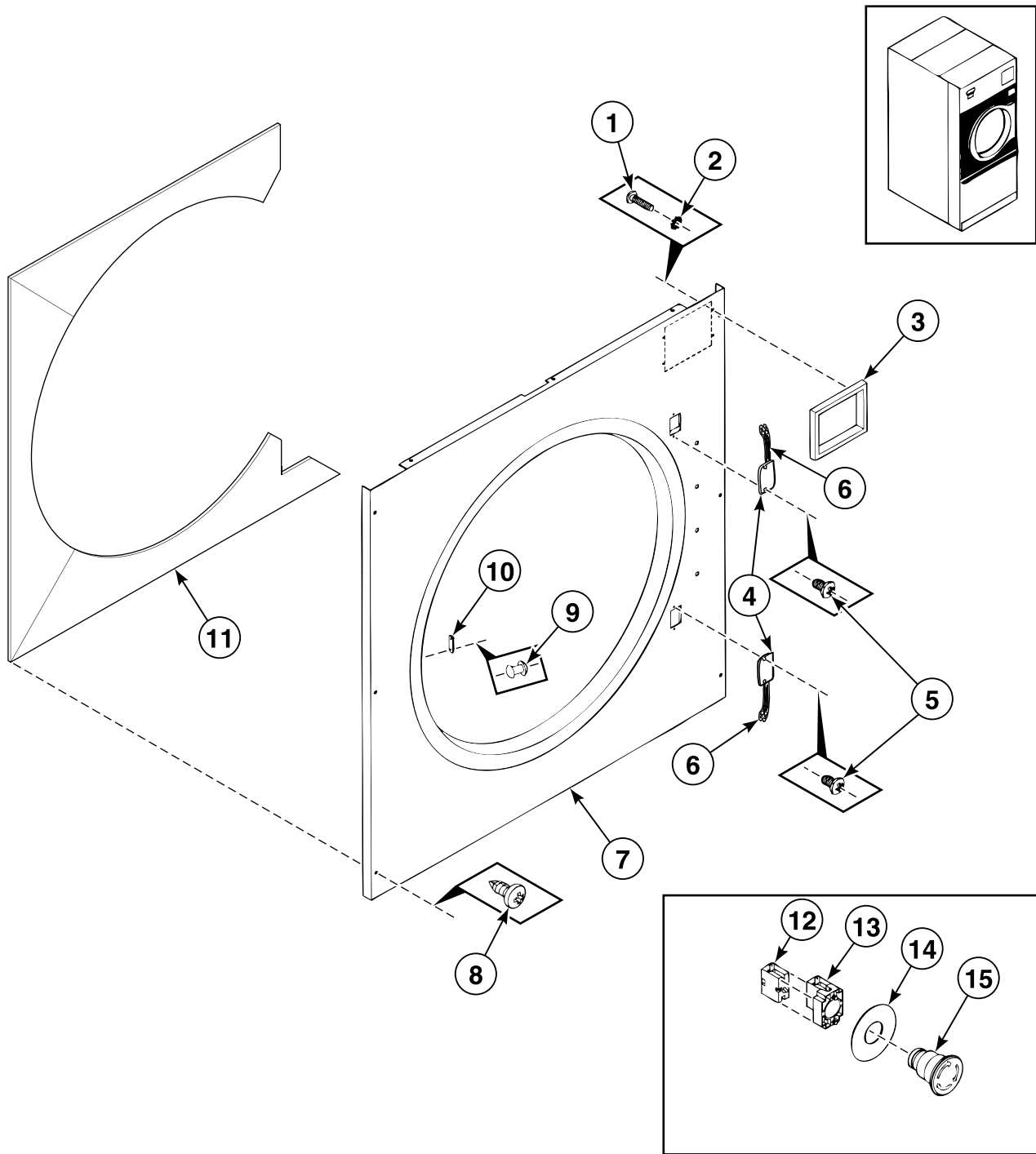


BE000153P_D0287

Top Front Panel

REF	PART NO.	DESCRIPTION	COMMENTS
1	254/CSA01/408	Front Panel	Model DR30
	254/CSA01/416	Front Panel	Model DR20
	254/CSA01/423	Complete Front Panel	Model DR50
	254/CSA01/424	Front Panel	Model DR50
	254/CSA01/510	Complete Front Panel	Model DR75
	254/CSA01/511	Front Panel	Model DR75
2	254/CA000/856	Fender Panel	Models DR20 and DR30
	254/CA000/857	Fender Panel	Model DR50
	254/CA000/858	Fender Panel	Model DR75
3	254/LA000/121	Lock	Models DR50 and DR75
4	254/LA000/119	Key	Models DR50 and DR75
5	254/LA000/121	Lock	Models DR20 and DR30
6	254/LA011/941	Lock	
7	254/CA013/098	Draught Band	Models DR50 and DR75
	254/TU002/853	Draught Band	Models DR20 and DR30
8	254/CA010/085	Axle	
9	254/CA000/617	Cap	
10	254/SB000/936	Screw	Models DR20 and DR30
	254/SB000/951	Screw	Models DR50 and DR75
11	254/SB000/971	Key	
12	254/00048/00	Plate Assembly	
13	254/TU007/733	Screw	

Middle Front Panel

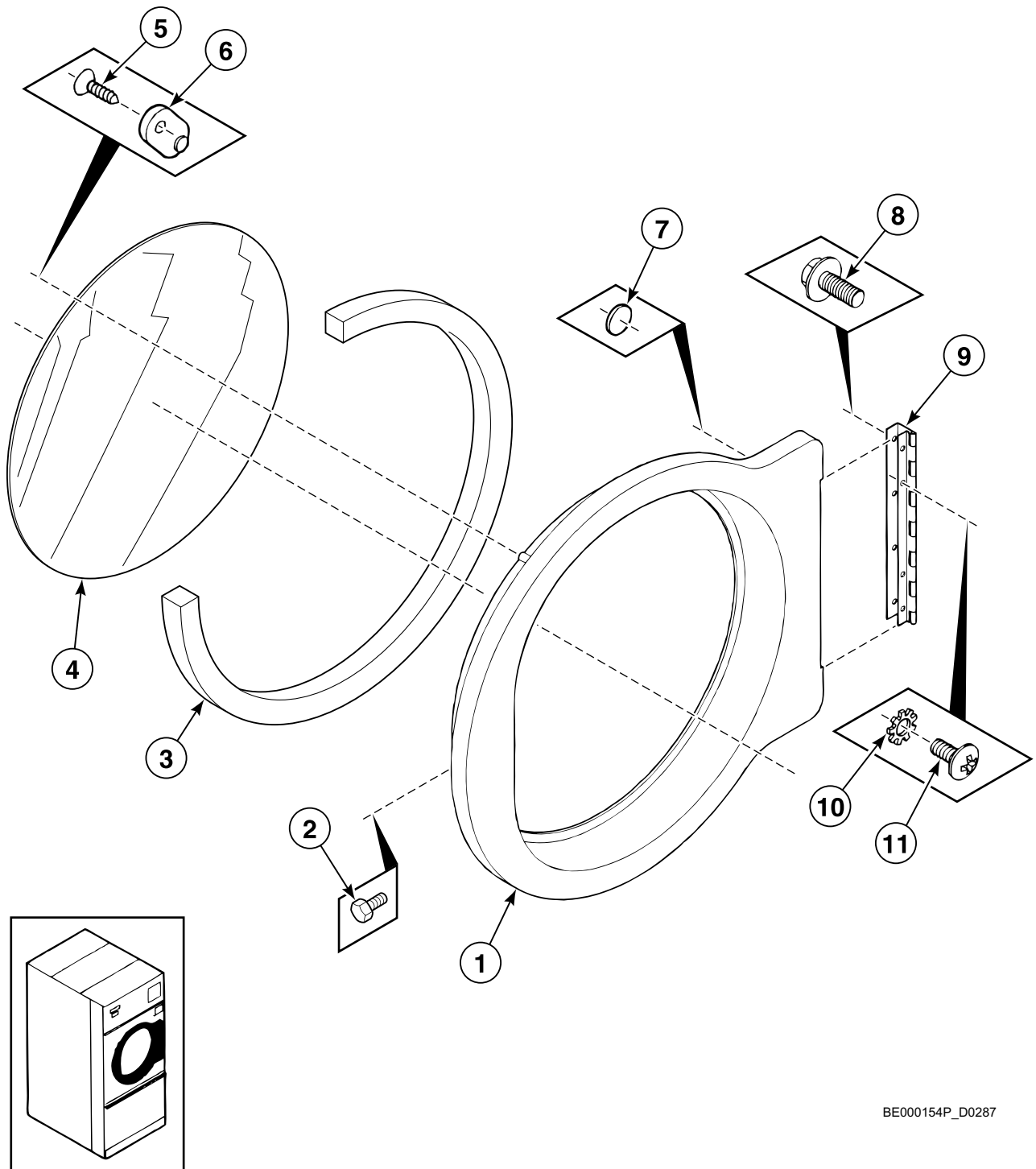


BE000149BP_D0287

Middle Front Panel

REF	PART NO.	DESCRIPTION	COMMENTS
1	254/SB000/924	Screw	
2	254/SB000/938	Washer	
3	254/CA000/699	Coin Box	
4	254/00017/00	Magnetic Switch Holder	
5	254/SB000/975	Screw	
6	254/ESA00/862	Reed Switch Assembly	
7	254/CSA01/380	Panel	Model DR20; OPL
	254/CSA01/392	Panel	Model DR30; OPL
	254/CSA01/406	Panel	Model DR30; Coin
	254/CSA01/414	Panel	Model DR20; Coin
	254/CSA01/427	Panel	Model DR50; Coin
	254/CSA01/433	Panel	Model DR50; OPL
	254/CSA01/514	Panel	Model DR75; OPL
	254/CSA01/524	Panel	Model DR75; Coin
8	254/TU007/733	Screw	
9	254/TU003/213	Rivet	
10	254/TU002/876	Lock	
11	254/CA000/675	Insulation Panel	Model DR20
	254/CA000/676	Insulation Panel	Model DR30
	254/CSA01/426	Insulation Panel	Model DR50; Coin
	254/CSA01/432	Insulation Panel	Model DR50; OPL
	254/CSA01/513	Insulation Panel	Model DR75; OPL
	254/CSA01/523	Insulation Panel	Model DR75; Coin
12	209/00099/06	Contact Switch	
13	209/00099/05	Contact	
14	209/00520/00	Telem Sticker	
15	209/00248/00	Mushroom Pushbutton	

Door

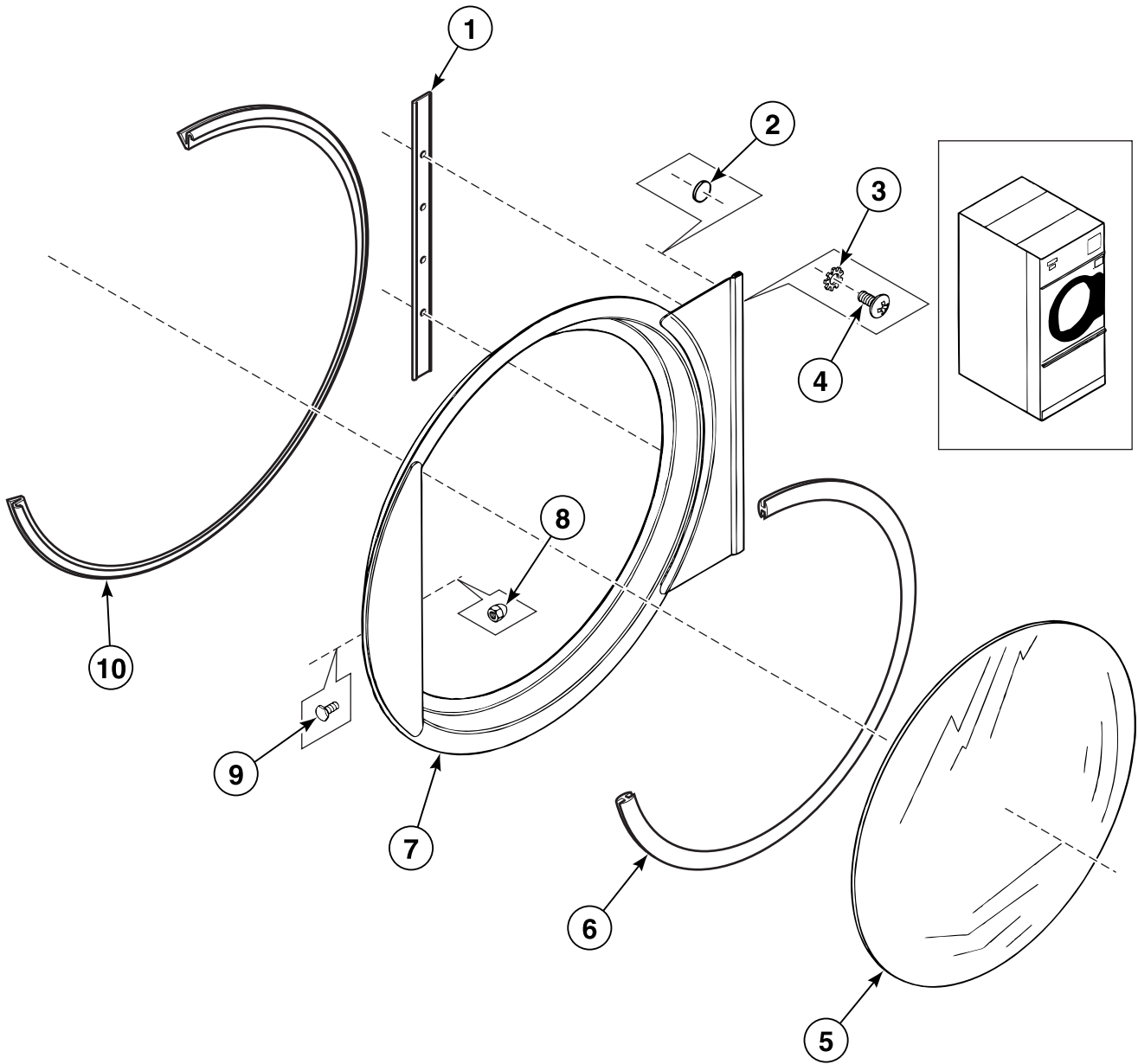


BE000154P_D0287

Door

REF	PART NO.	DESCRIPTION	COMMENTS
1	254/00010/00	Door	
2	254/SB000/967	Screw	
3	254/MD000/359	Door Gasket	
4	254/00011/00	Door Glass	
5	254/00049/00	Screw	Set of 3
6	254/00010/01	Door Glass Holder	
7	254/MD000/337	Reed Switch Magnet	
8	254/SB000/982	Bolt	
9	254/00013/00	Door Hinge	
10	254/SB000/852	Washer	
11	254/P0000/219	Screw	

Door Assembly

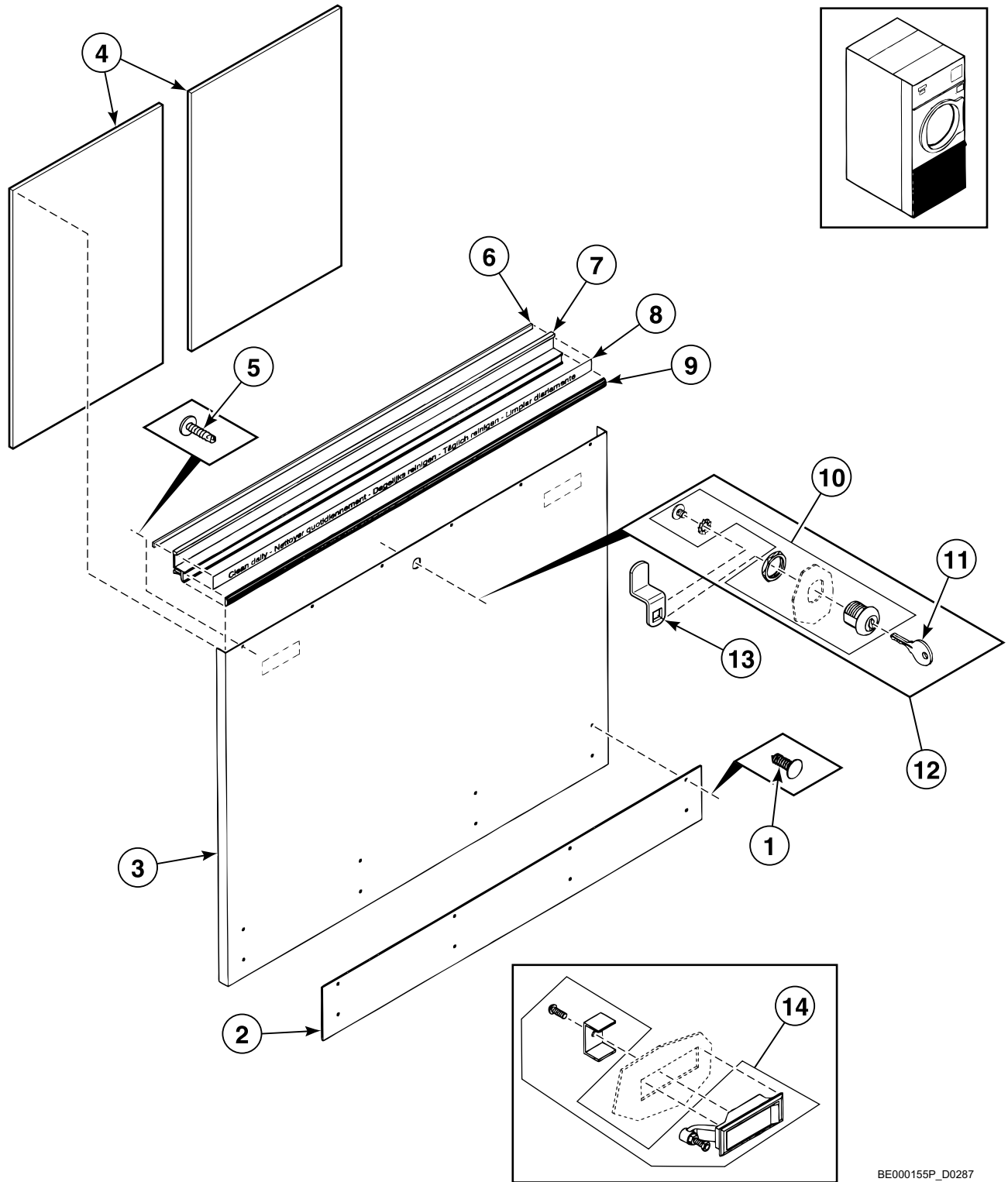


BE000377P_D0287

Door Assembly

REF	PART NO.	DESCRIPTION	COMMENTS
1	258/TU150/730	Door Hinge	
2	254/MD000/377	Reed Switch Magnet	
3	254/SB000/852	Washer	
4	258/SB009/210	Screw	
5	258/TU151/070	Door Glass	
6	258/TU151/080	Gasket	
7	258/TU150/760	Door	
8	258/TU484/000	Nut	
9	258/CA123/180	Screw	
10	258/MD003/600	Gasket	

Lower Front Panel

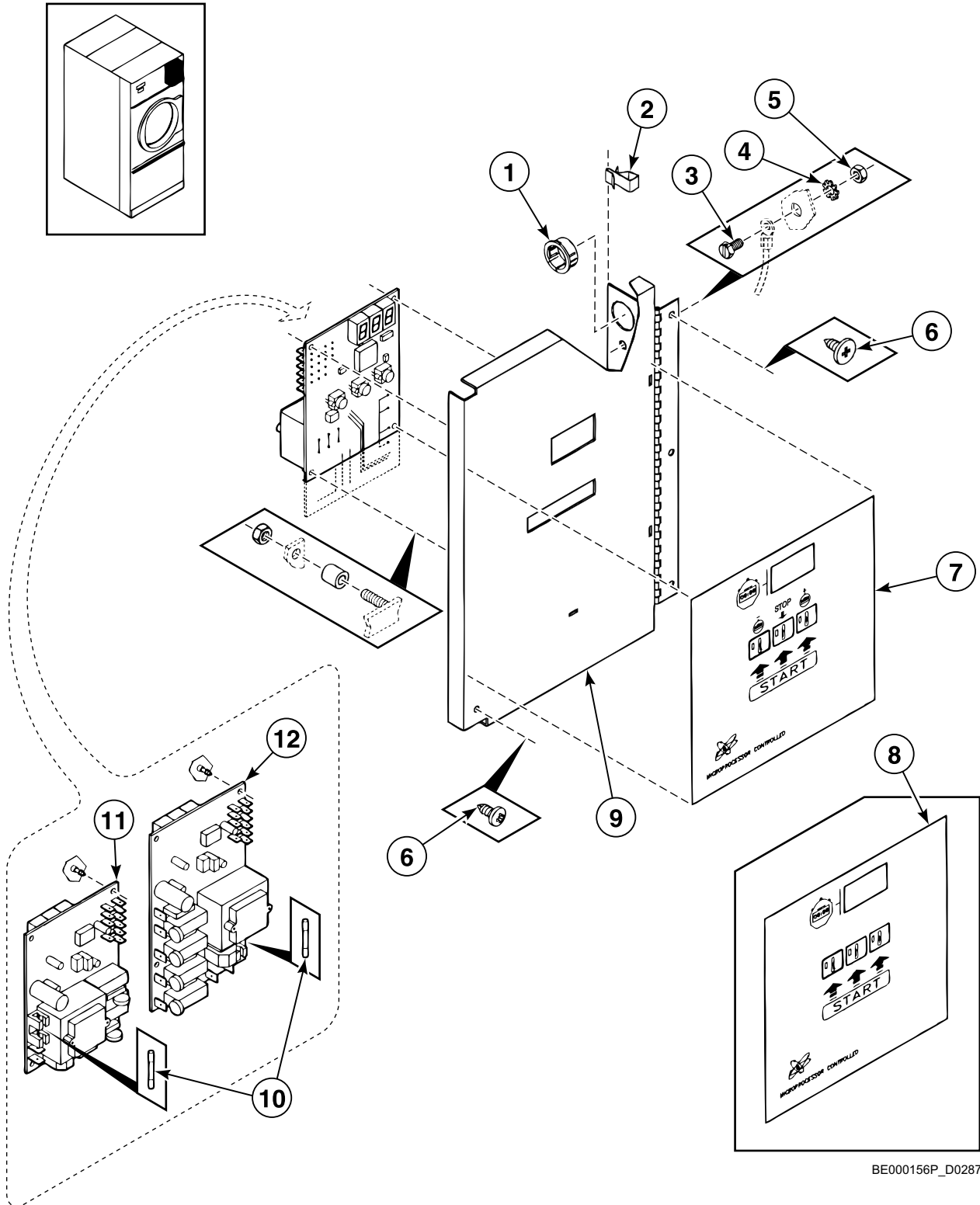


BE000155P_D0287

Lower Front Panel

REF	PART NO.	DESCRIPTION	COMMENTS
1	254/SB000/949	Screw	
2	254/CA000/828	Door Fender	Model DR20
	254/CA000/833	Door Fender	Model DR30
	254/CA000/838	Door Fender	Model DR50
	254/CA000/839	Door Fender	Model DR75
3	254/CSA01/097	Front Panel	Model DR20; Coin
	254/CSA01/098	Front Panel	Model DR30; Coin
	254/CSA01/099	Front Panel	Model DR50; OPL
	254/CSA01/383	Front Panel	Model DR20; OPL
	254/CSA01/387	Front Panel	Model DR30; OPL
	254/CSA01/429	Front Panel	Model DR50; Coin
	254/CSA01/516	Front Panel	Model DR75; OPL
	254/CSA01/593	Front Panel	Model DR75; Coin
4	254/CA011/929	Insulation Panel	Model DR20
	254/CA011/930	Insulation Panel	Model DR30
	254/CA012/029	Insulation Panel	Model DR50
	254/CA013/131	Insulation Panel	Model DR75
5	254/TU007/733	Screw	
6	254/TU002/853	Draught Band	
7	254/CA000/645	Door Trim	Model DR20
	254/CA000/646	Door Trim	Model DR30
	254/CA000/647	Door Trim	Model DR50
	254/CA000/697	Door Trim	Model DR75
8	254/00019/00	Clean Lint Screen Label	
9	254/CA000/655	Fender	
10	254/LA000/121	Lock	Models DR50 and DR75
11	254/LA000/119	Key	Models DR50 and DR75
12	254/LA000/121	Lock	Models DR20 and DR30
13	254/LA011/359	Lock Hatch	
14	254/LA000/123	Lock Hatch Assembly	Models DR50 and DR75
	254/LA000/124	Lock Hatch Assembly	Models DR20 and DR30

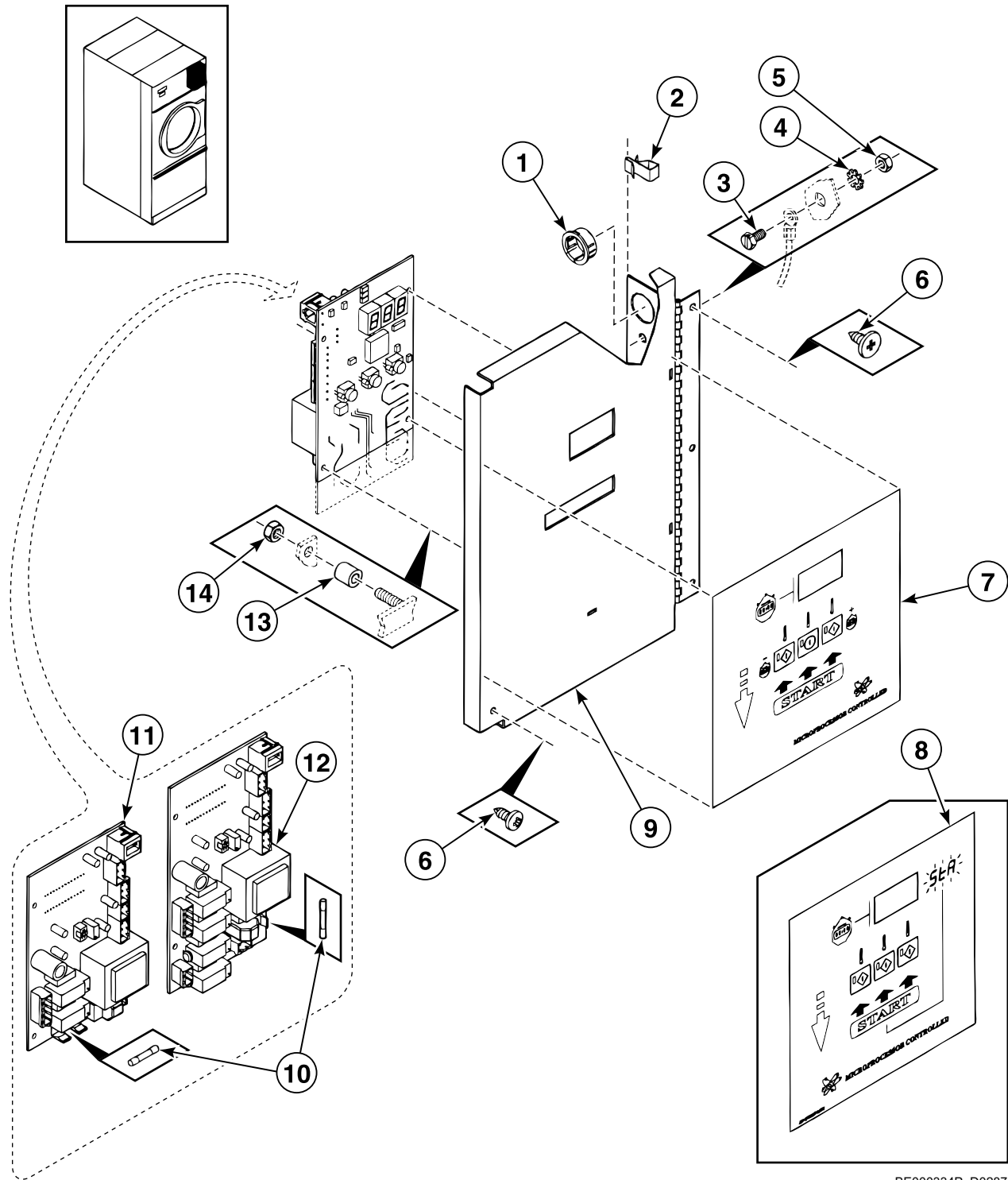
Operating Door - DX3 and DX3R OPL Models



Operating Door - DX3 and DX3R OPL Models

REF	PART NO.	DESCRIPTION	COMMENTS
1	254/SB000/868	Duct	
2	254/EA000/395	Wiring Clip	
3	254/SB000/898	Bolt	
4	254/TU011/613	Washer	
5	254/TU002/842	Nut	
6	254/SB000/836	Screw	
7	254/00015/00	Keypad Label	
8	254/00021/00	Operating Touchpad	
9	254/CSA01/529	Operating Door	
10	209/00506/00	Fuse	
11	254/00043/00	Timer	
12	254/00024/00	Control Board	Reversing
	254/00030/00	Control Board	Non-reversing

Operating Door - DX3S and DX3RS OPL Models

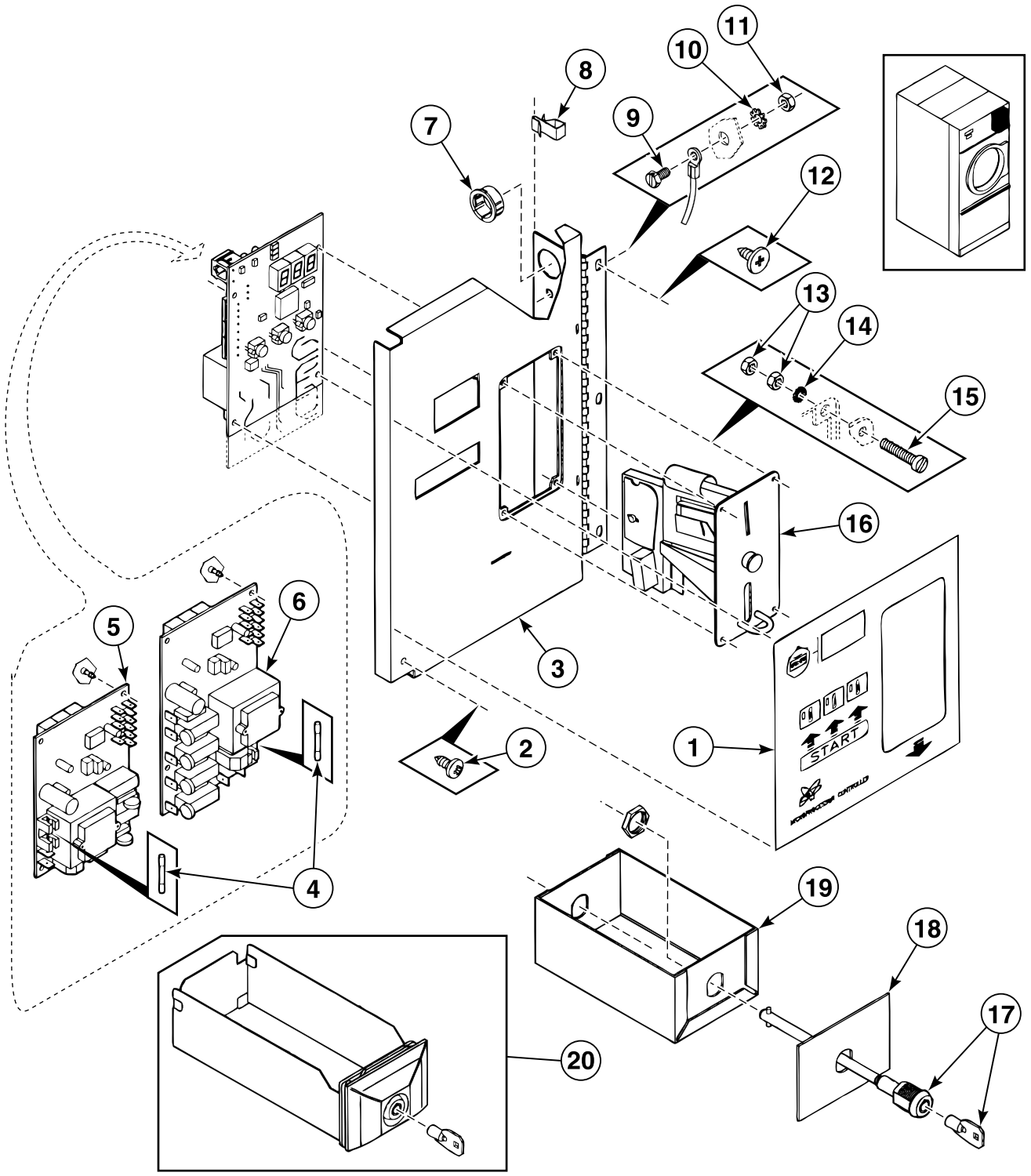


BE000334P_D0287

Operating Door - DX3S and DX3RS OPL Models

REF	PART NO.	DESCRIPTION	COMMENTS
1	254/SB000/868	Duct	
2	254/EA000/395	Wiring Clip	
3	254/SB000/898	Bolt	
4	254/TU011/613	Washer	
5	254/TU002/842	Nut	
6	254/SB000/836	Screw	
7	254/00069/00	Keypad Label	
8	254/00021/00	Operating Touchpad	
9	254/CSA01/529	Operating Door	
10	209/00506/00	Fuse	
11	254/00066/00	Control Board	
12	254/00067/00	Control Board	
13	254/TU014/701	Spacer	
14	254/TUD00/367	Nut	

Operating Door - DX3 and DX3R Coin Models

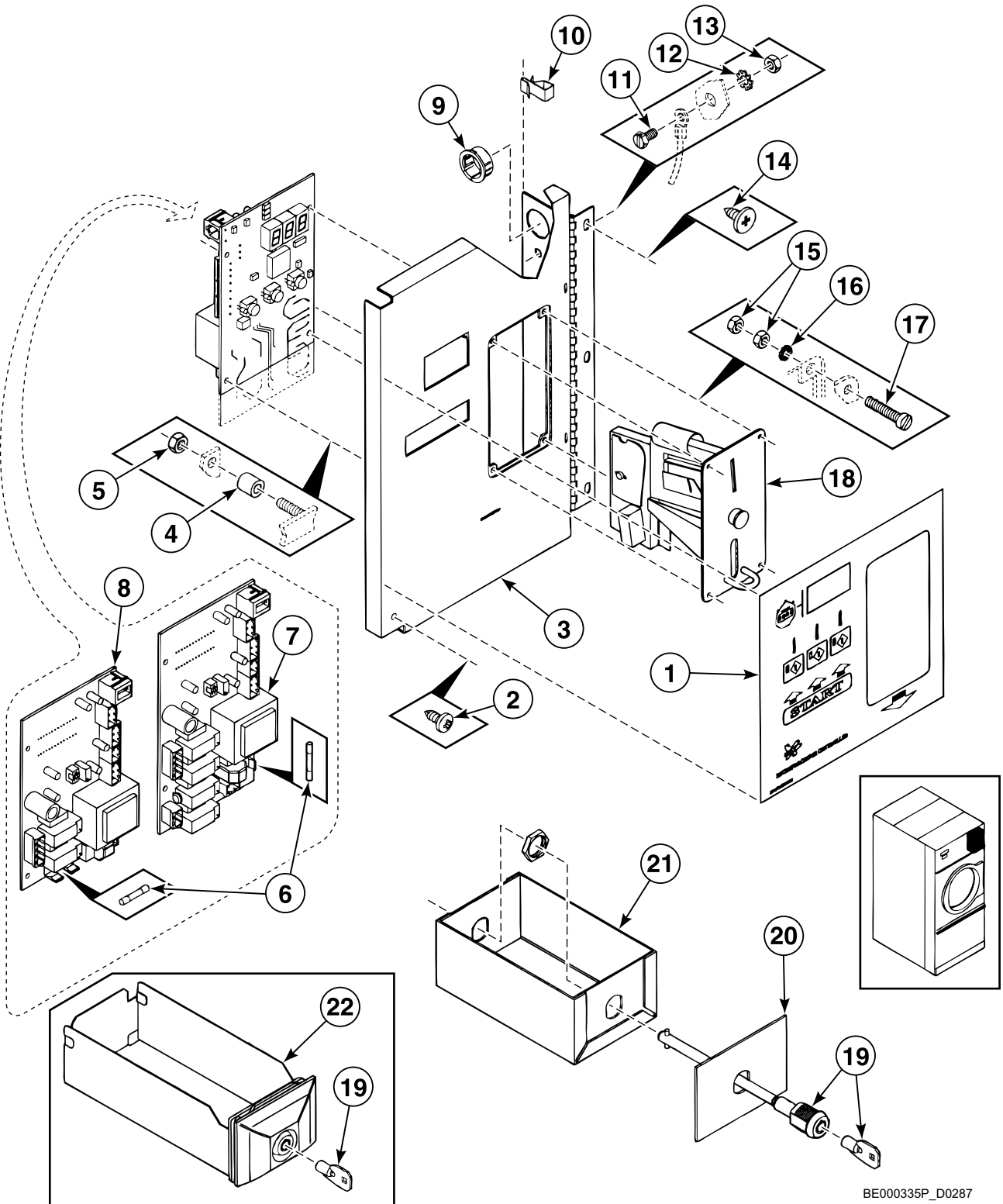


BE000157AP_D0287

Operating Door - DX3 and DX3R Coin Models

REF	PART NO.	DESCRIPTION	COMMENTS
1	254/00033/00	Keypad Label	
2	254/TU007/733	Screw	
3	254/CSA01/530	Operating Door	
4	209/00506/00	Fuse	
5	254/00043/00	Timer	
6	254/00024/00	Control Board	
7	254/SB000/868	Duct	
8	254/EA000/395	Wiring Clip	
9	254/SB000/898	Bolt	
10	254/TU011/613	Washer	
11	254/TU002/842	Nut	
12	254/SB000/836	Screw	
13	204/00008/00	Nut	
14	203/00007/00	Washer	
15	207/00108/00	Screw	
16	209/00305/00	Coin Meter	
17	254/LA000/401	Lock	
18	254/CA011/265	Front Plate	
19	254/CSA00/753	Coin Box	
20	254/TU009/225	Coin Vault	

Operating Door - DX3S and DX3RS Coin Models

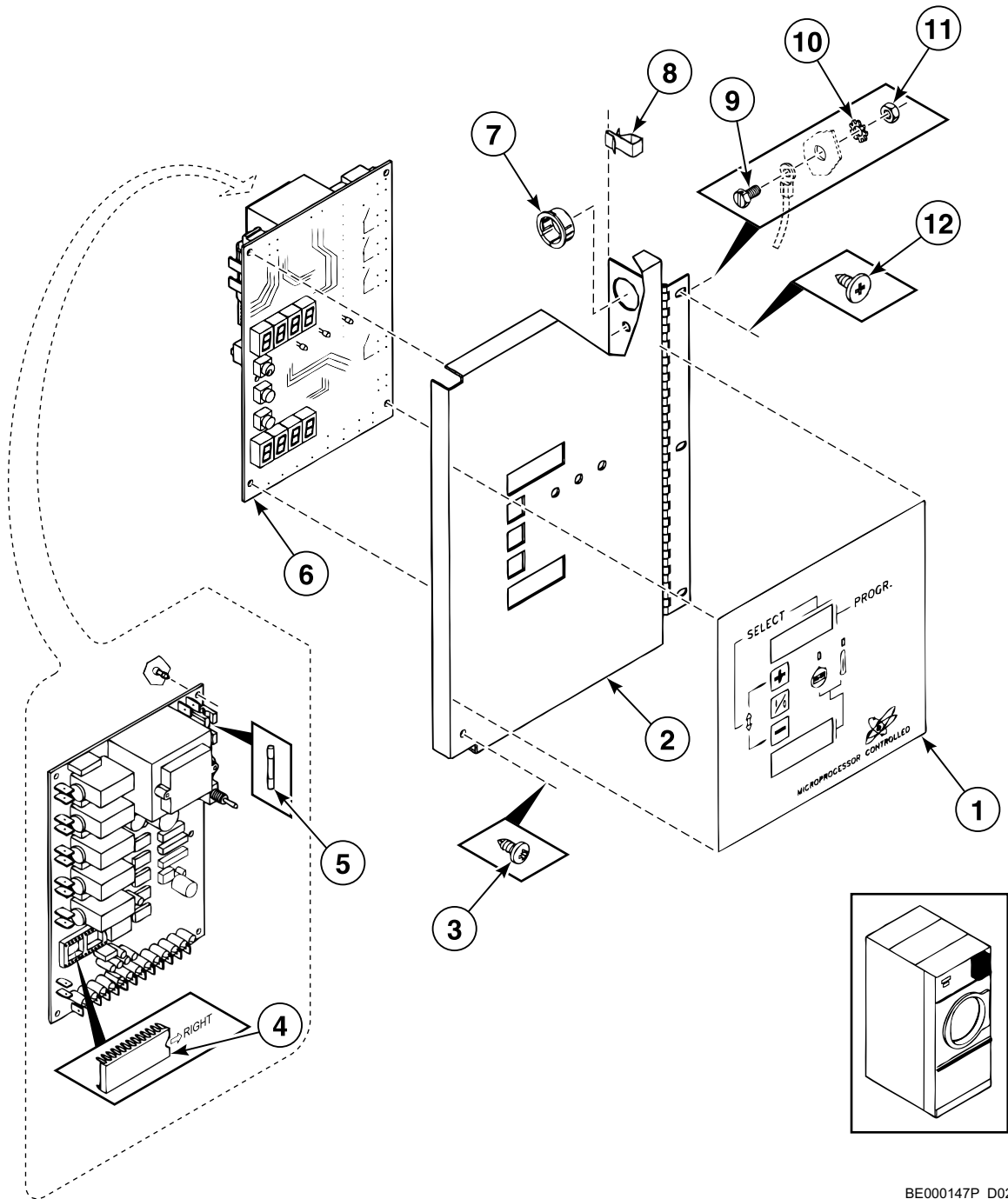


BE000335P_D0287

Operating Door - DX3S and DX3RS Coin Models

REF	PART NO.	DESCRIPTION	COMMENTS
1	254/00033/00	Keypad Label	
2	254/TU007/733	Screw	
3	254/CSA01/530	Operating Door	
4	254/TU014/701	Spacer	
5	254/TUD00/367	Nut	
6	209/00506/00	Fuse	
7	254/00067/00	Control Board	
8	254/00066/00	Control Board	
9	254/SB000/868	Duct	
10	254/EA000/395	Wiring Clip	
11	254/SB000/898	Bolt	
12	254/TU011/613	Washer	
13	254/TU002/842	Nut	
14	254/SB000/836	Screw	
15	204/00008/00	Nut	
16	203/00007/00	Washer	
17	207/00108/00	Screw	
18	209/00305/00	Coin Meter	
19	254/LA000/401	Lock	
20	254/CA011/265	Front Plate	
21	254/CSA00/753	Coin Box	
22	254/TU009/225	Coin Vault	

Operating Door - PRO OPL Models

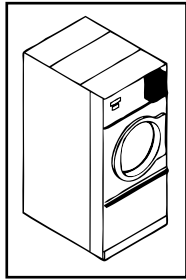
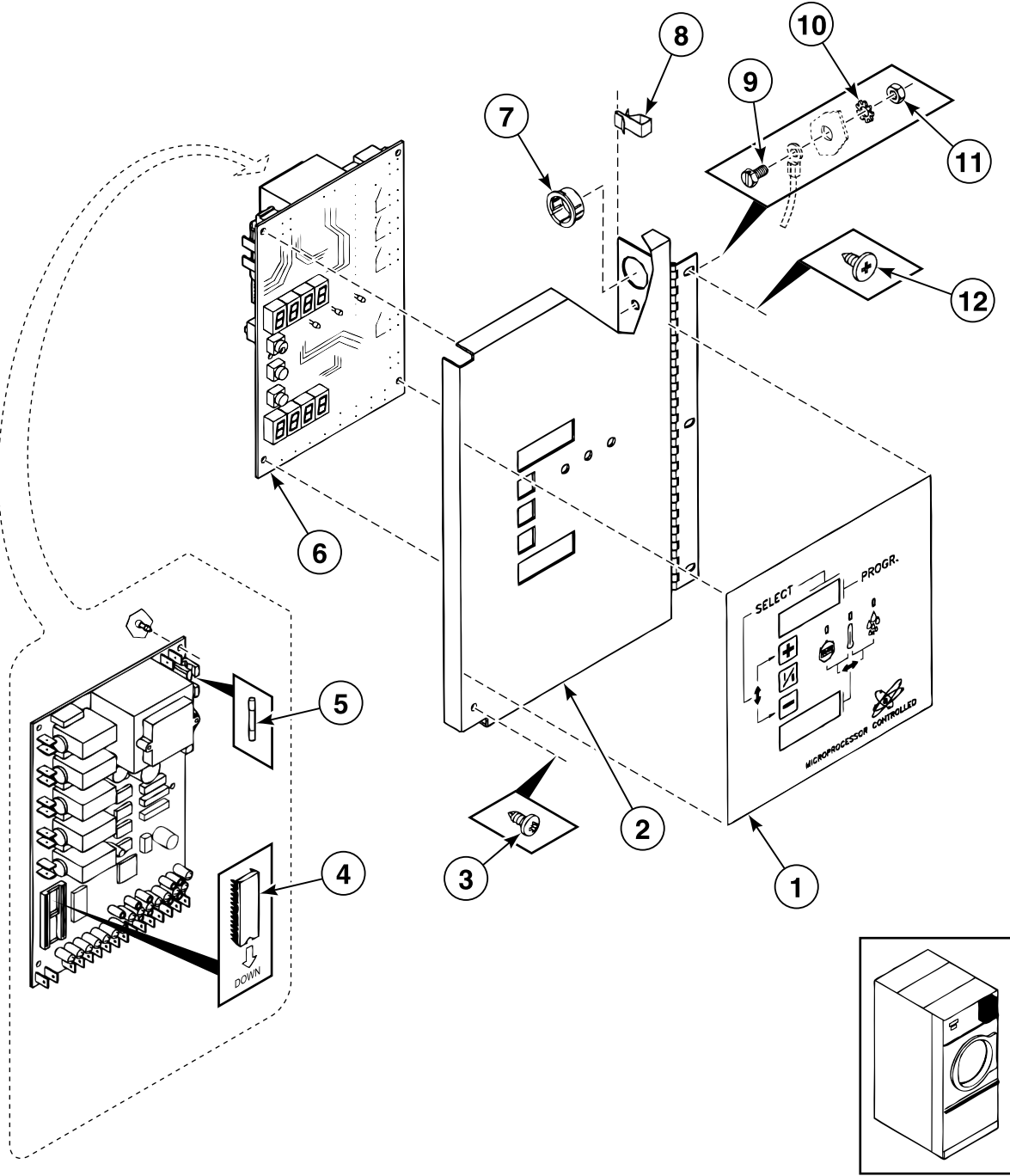


BE000147P_D0287

Operating Door - PRO OPL Models

REF	PART NO.	DESCRIPTION	COMMENTS
1	254/00039/00	Operating Touchpad	
2	254/CSA01/535	Operating Door	
3	254/TU007/733	Screw	
4	209/00266/01	Eprom	
5	209/00507/00	Fuse	
6	254/00070/00	Control Board	
7	254/SB000/868	Duct	
8	254/EA000/395	Wiring Clip	
9	254/SB000/898	Bolt	
10	254/TU011/613	Washer	
11	254/TU002/842	Nut	
12	254/SB000/836	Screw	

Operating Door - PRO/HC OPL Models without Plugs

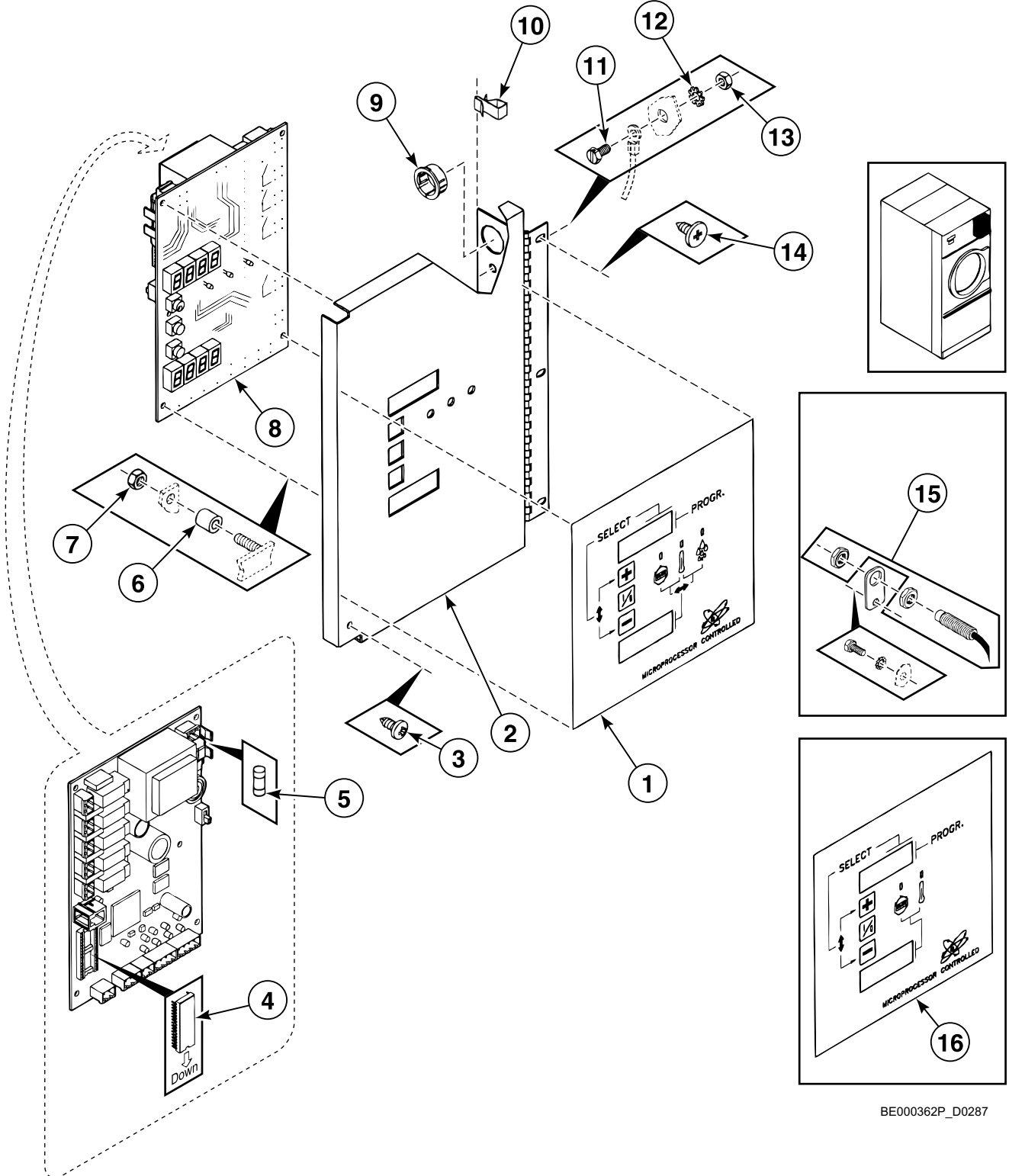


BE000148P_D0287

Operating Door - PRO/HC OPL Models without Plugs

REF	PART NO.	DESCRIPTION	COMMENTS
1	254/00018/00	Control Label	
2	254/CSA01/535	Operating Door	
3	254/TU007/733	Screw	
4	209/00266/01	Eprom	
5	209/00507/00	Fuse	
6	254/00070/00	Control Board	
7	254/SB000/868	Duct	
8	254/EA000/395	Wiring Clip	
9	254/SB000/898	Bolt	
10	254/TU011/613	Washer	
11	254/TU002/842	Nut	
12	254/SB000/836	Screw	

Operating Door - PRO/HC OPL Models with Plugs

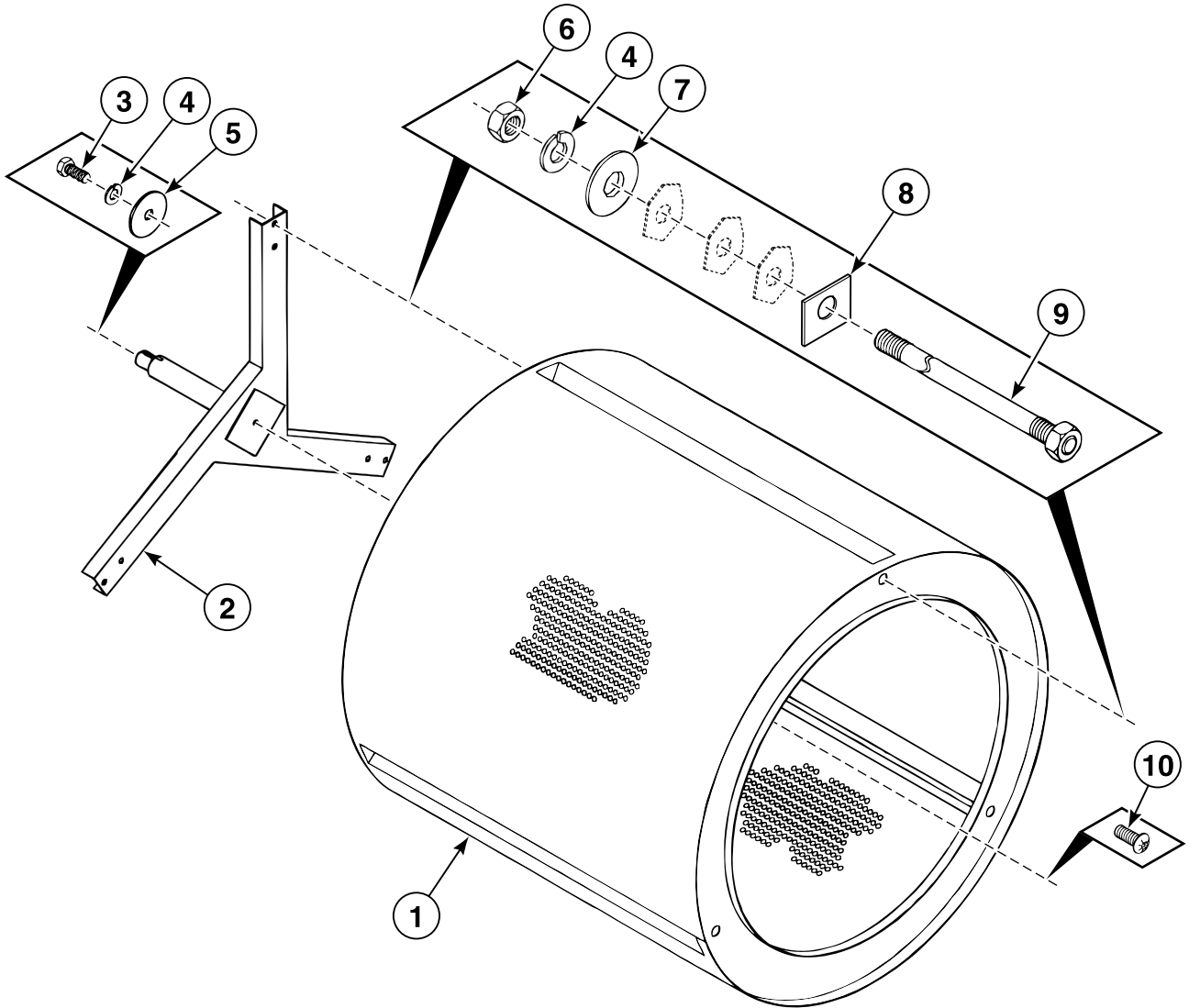
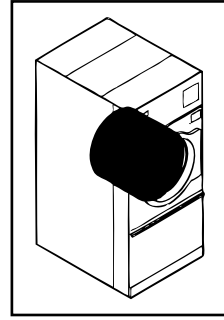


BE000362P_D0287

Operating Door - PRO/HC OPL Models with Plugs

REF	PART NO.	DESCRIPTION	COMMENTS
1	254/00018/00	Control Label	
2	254/CSA01/535	Operating Door	
3	254/TU007/733	Screw	
4	209/00266/01	Eprom	
5	209/00507/00	Fuse	
6	254/TU014/01	Spacer	
7	254/TUD00/367	Nut	
8	254/00070/00	Control Board	
9	254/SB000/868	Duct	
10	254/EA000/395	Wiring Clip	
11	254/SB000/898	Bolt	
12	254/TU011/613	Washer	
13	254/TU002/842	Nut	
14	254/SB000/836	Screw	
15	254/TU014/414	Rotation Sensor	
16	254/00039/00	Operating Touchpad	

Drum - DR20 Models

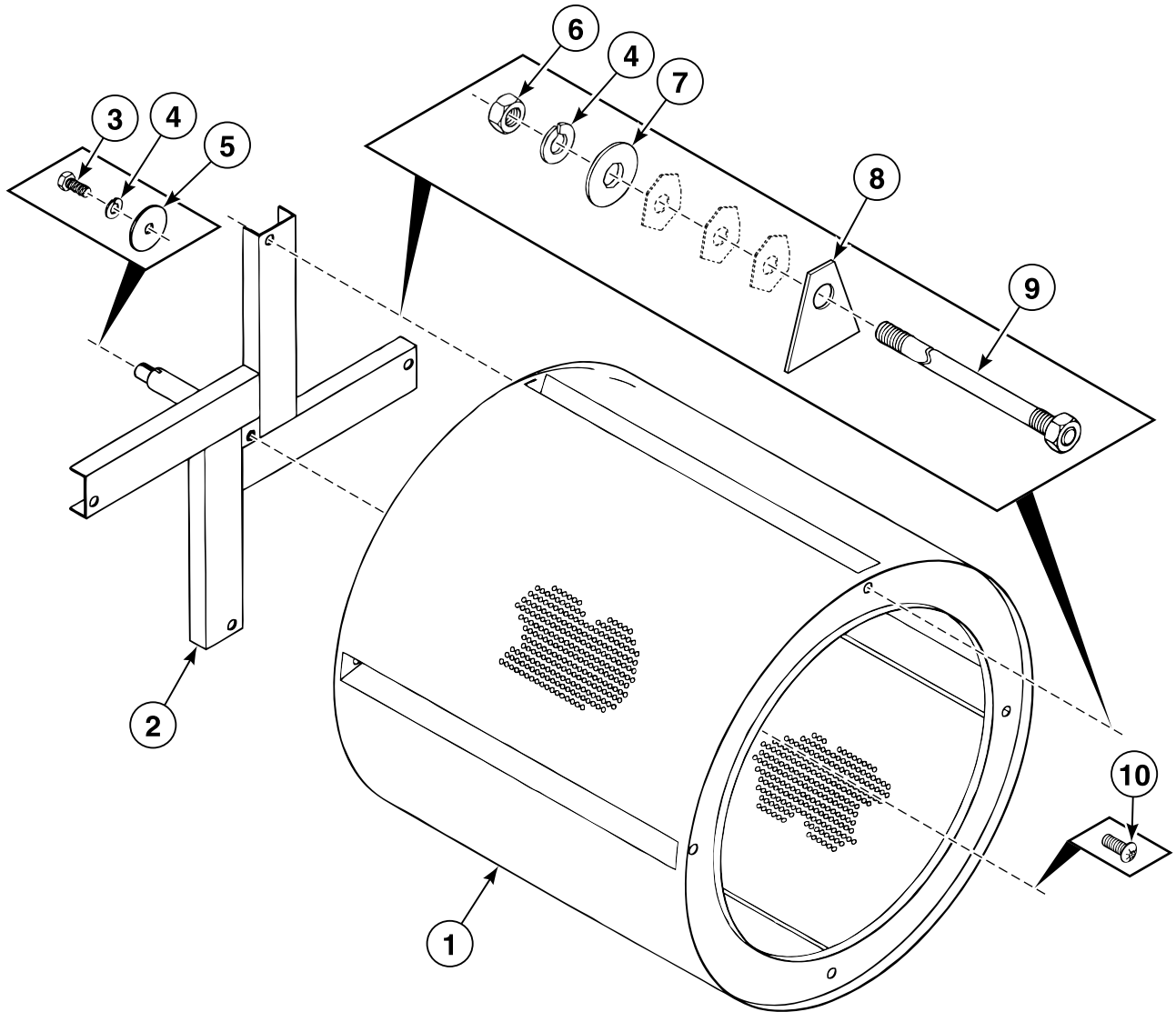
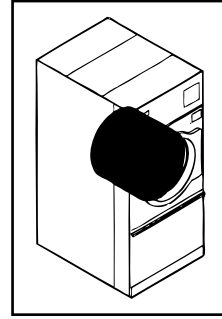


BE000158P_D0287

Drum - DR20 Models

REF	PART NO.	DESCRIPTION	COMMENTS
1	254/CSA00/845	Drum	
2	254/CSA00/823	Trunnion	
3	254/TU005/439	Bolt	
4	254/TU002/814	Washer	
5	254/SB000/843	Washer	
6	254/C0000/249	Nut	
7	254/VSB00/130	Washer	
8	254/CA010/355	Reinforcement Bracket	
9	254/DA000/418	Bar Drum	
10	254/SB000/835	Screw	

Drum - DR30 Models

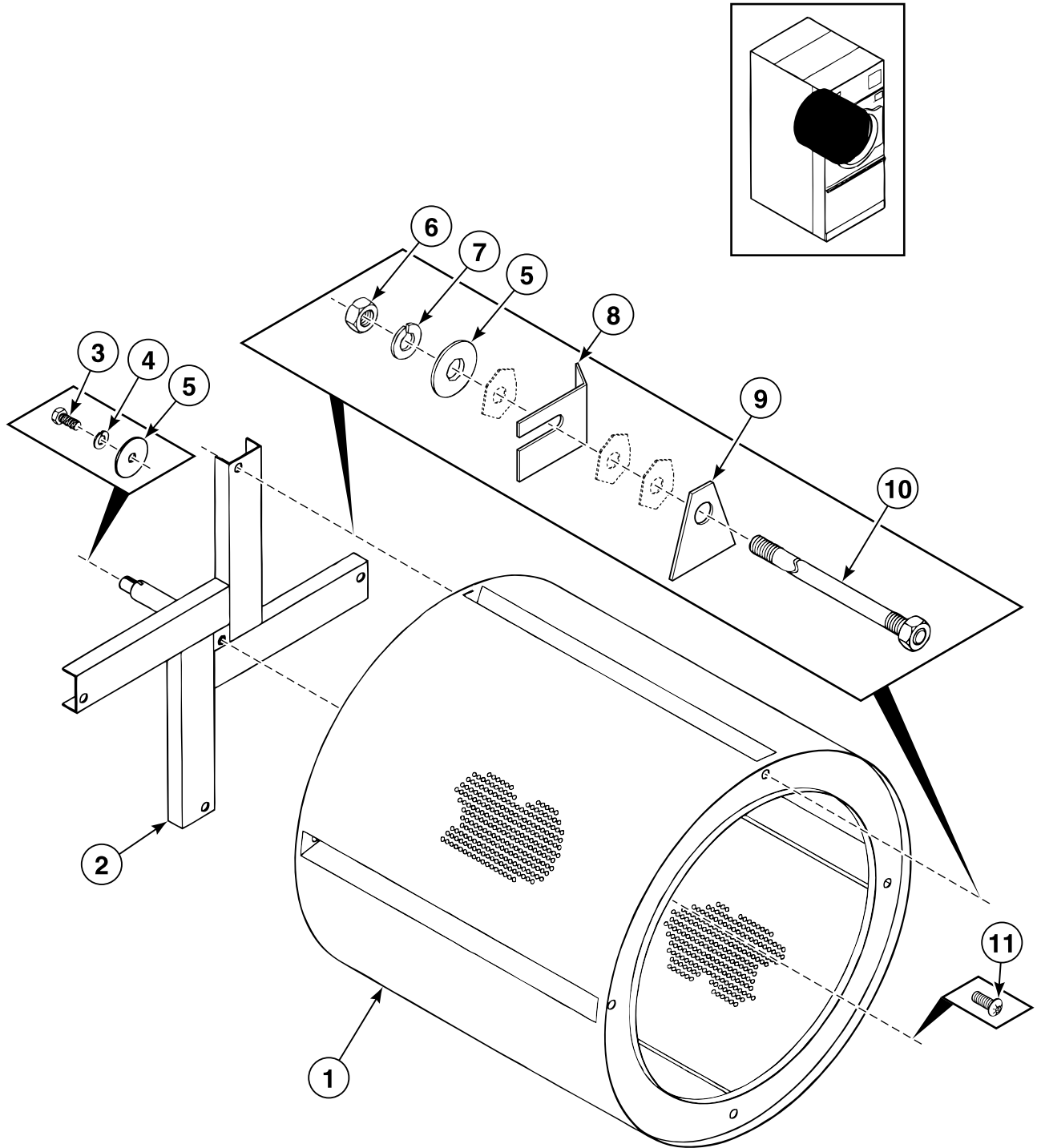


BE000159P_D0287

Drum - DR30 Models

REF	PART NO.	DESCRIPTION	COMMENTS
1	254/CSA00/847	Drum	
2	254/CSA01/434	Trunnion	
3	254/TU005/439	Bolt	
4	254/TU002/814	Washer	
5	254/SB000/843	Washer	
6	254/C0000/249	Nut	
7	254/VSB00/130	Washer	
8	254/00050/00	Reinforcement Bracket	
9	254/DA000/445	Bolt	
10	254/SB000/835	Screw	

Drum - DR50 and DR75 Models

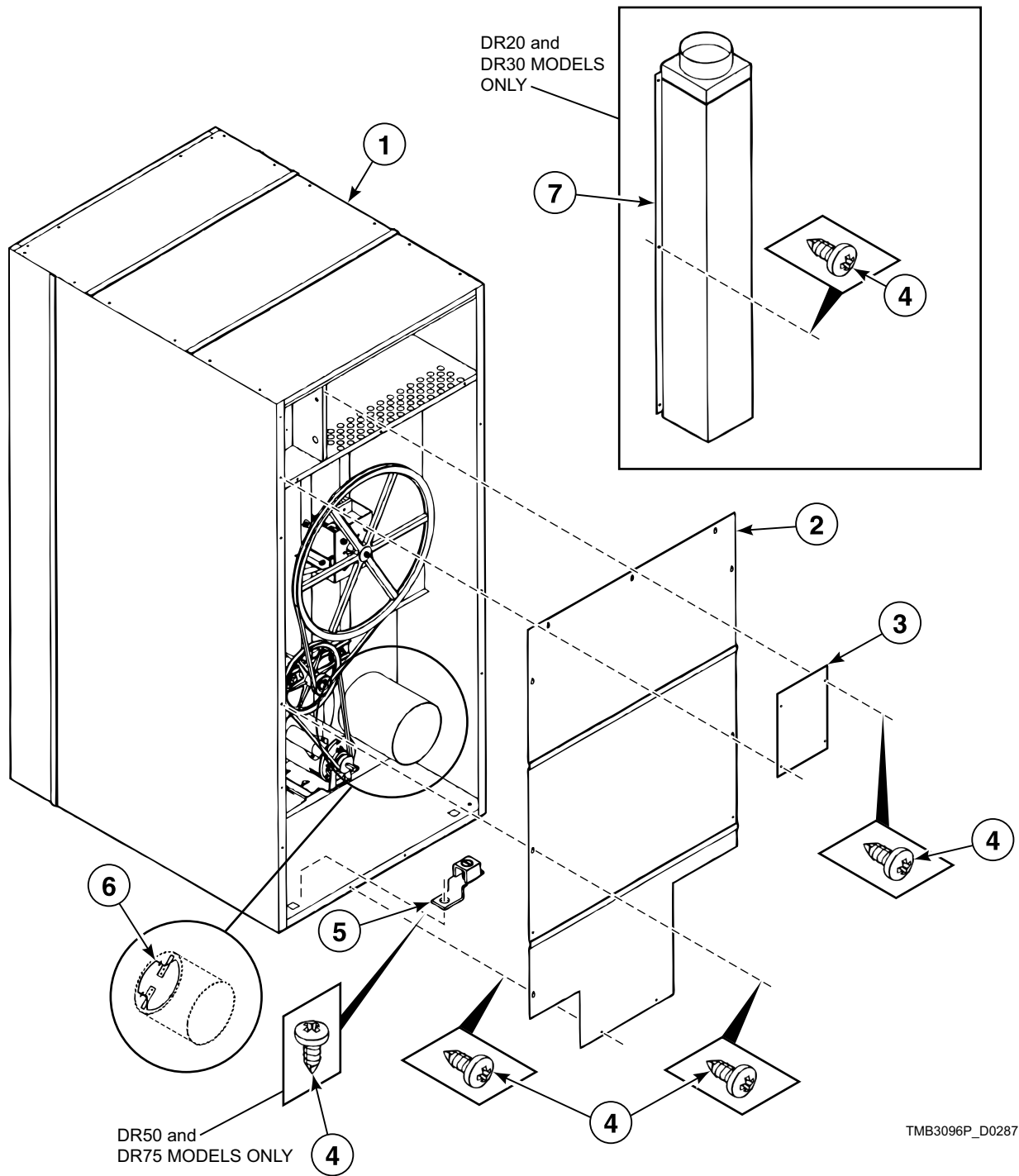


BE000175P_D0287

Drum - DR50 and DR75 Models

REF	PART NO.	DESCRIPTION	COMMENTS
1	254/CSA01/540	Drum	Model DR50; RVS
	254/CSA00/848	Drum	Model DR50; Galvanized
	254/CSA01/591	Drum	Model DR75; RVS
	254/CSA00/849	Drum	Model DR75; Galvanized
2	254/CSA00/822	Trunnion Assembly	Model DR50
	254/CSA00/729	Trunnion Assembly	Model DR75
3	254/TU005/439	Bolt	
4	254/TU002/814	Washer	
5	254/SB000/843	Washer	
6	254/TU004/787	Nut	
7	254/C0000/249	Nut	Model DR50
	254/TU002/814	Washer	Model DR75
8	154/00002/06	Shim	
9	254/00050/00	Reinforcement Bracket	
10	254/DA011/249	Bolt	Model DR50
	254/DA011/248	Bolt	Model DR75
11	254/SB000/835	Screw	

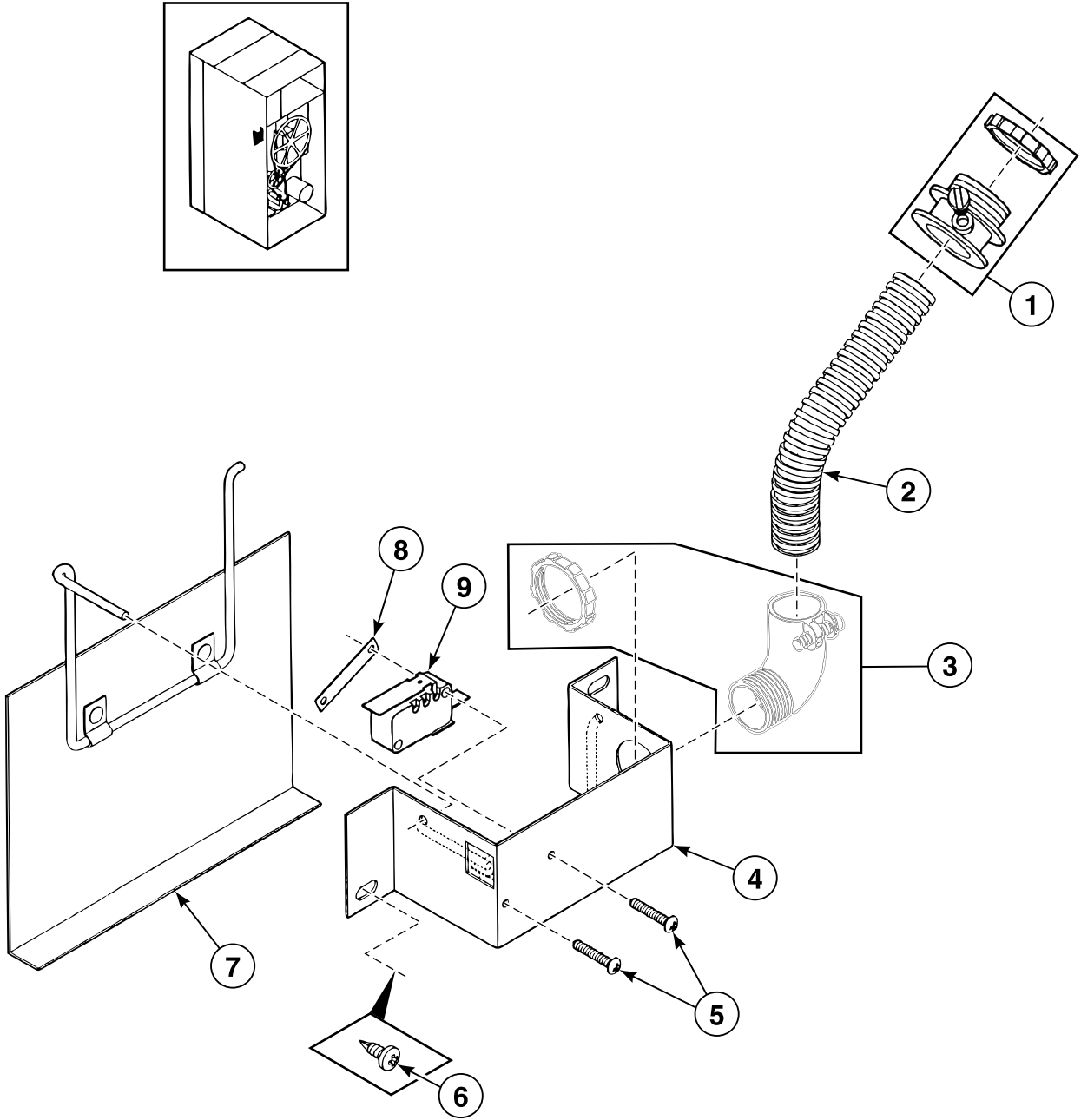
Cabinet Back



Cabinet Back

REF	PART NO.	DESCRIPTION	COMMENTS
1	254/CA012/073	Panel	Model DR50
	254/CA013/027	Panel	Model DR75
	254/CSA50/035	Side Panel	Model DR20
	254/CSA50/036	Side Panel	Model DR30
2	254/CA011/937	Back Panel	Model DR20
	254/CA011/975	Back Panel	Model DR30
	254/CA012/016	Back Panel	Model DR50
	254/CA013/018	Back Panel	Model DR75
3	254/CA011/936	Cover Plate	
4	254/TU007/733	Screw	
5	254/EA000/466	Terminal	Models DR50 and DR75
6	254/CSA01/284	Valve	
7	254/CSA00/971	Vent Pipe	Models DR20 and DR30

Airflow Switch Assembly

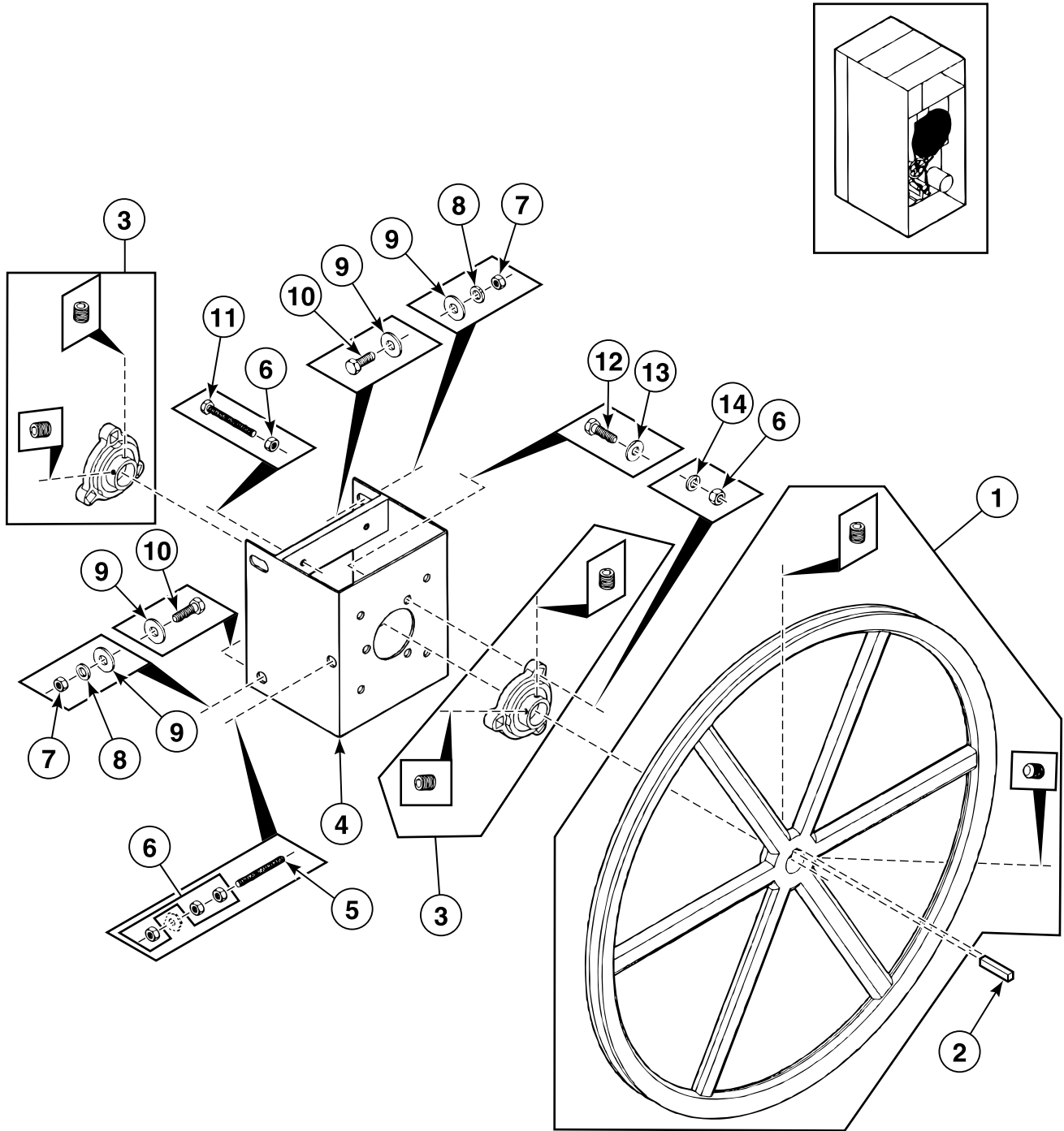


BE000161P_D0287

Airflow Switch Assembly

REF	PART NO.	DESCRIPTION	COMMENTS
1	254/EA000/211	Tube Connector	
2	254/EA000/234	Tubing	
3	254/EA000/212	Tube Connector	
4	254/CA011/854	Bracket	
5	254/SB000/955	Screw	
6	254/TU007/733	Screw	
7	254/CA011/853	Air Valve	
8	254/SB000/954	Switch Assembly Plate	
9	254/EA000/618	Airflow Switch	

Drum Drive - DR20 Models

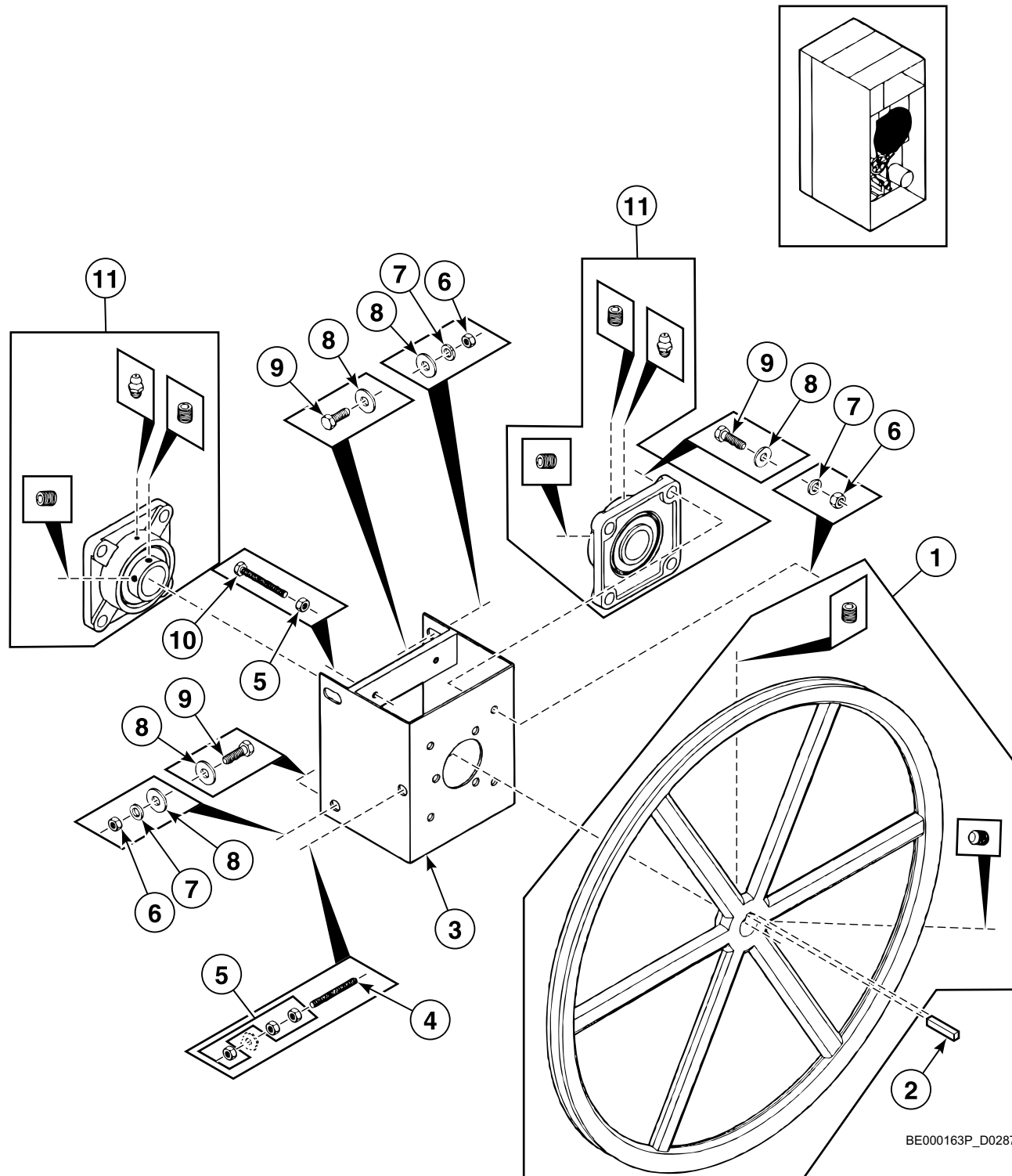


BE000162P_D0287

Drum Drive - DR20 Models

REF	PART NO.	DESCRIPTION	COMMENTS
1	254/DA000/519	Belt Pulley	
2	254/TU005/881	Key	For drum axle
3	254/DA000/420	Ball Bearing	
4	254/DSA00/690	Bearing	
5	254/SB000/876	Wiring Rod	
6	254/C0000/249	Nut	
7	254/TU004/787	Nut	
8	254/VSB00/134	Washer	
9	254/IB000/140	Washer	
10	254/IB000/139	Bolt	
11	254/SB000/935	Bolt	
12	254/FB000/124	Bolt	
13	254/VSB00/130	Washer	
14	254/TU002/814	Washer	

Drum Drive - DR30 Models

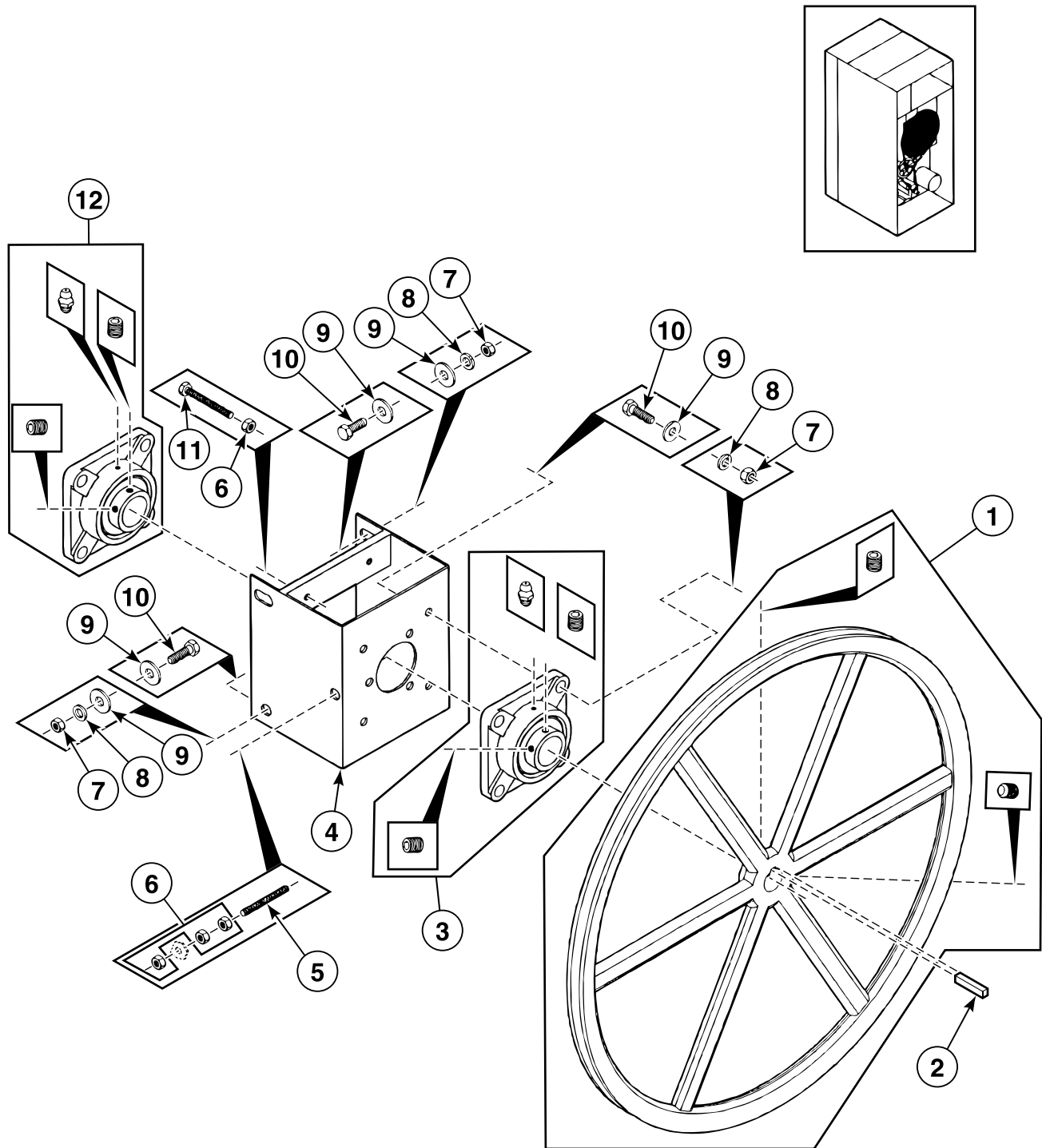


BE000163P_D0287

Drum Drive - DR30 Models

REF	PART NO.	DESCRIPTION	COMMENTS
1	254/DA000/519	Belt Pulley	
2	254/TU005/881	Key	
3	254/DSA00/728	Bearing	
4	254/SB000/876	Wiring Rod	
5	254/C0000/249	Nut	
6	254/TU004/787	Nut	
7	254/VSB00/134	Washer	
8	254/IB000/140	Washer	
9	254/IB000/139	Bolt	
10	254/SB000/935	Bolt	
11	254/DA000/421	Ball Bearing	

Drum Drive - DR50 and DR75 Models

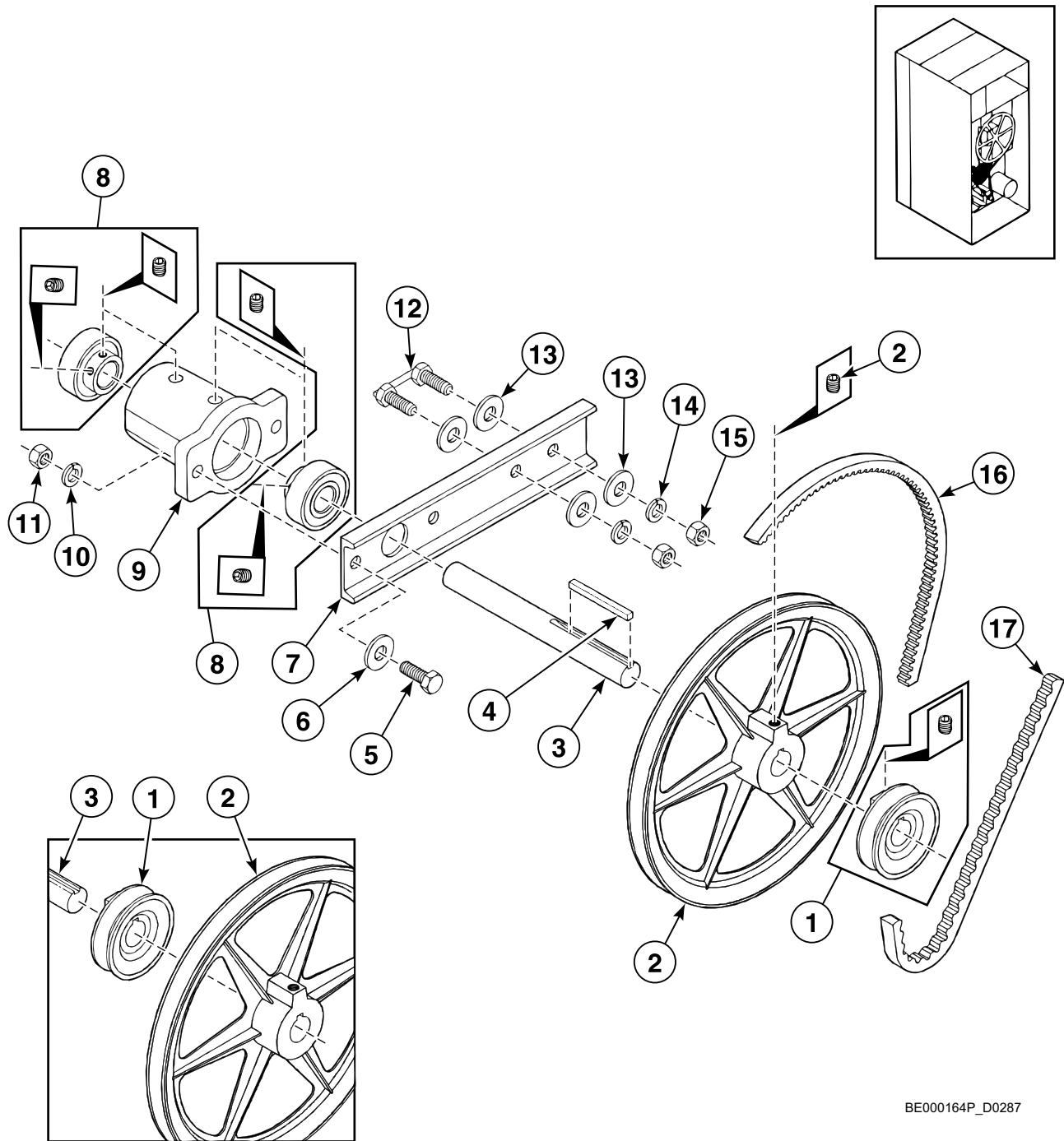


BE000177P_D0287

Drum Drive - DR50 and DR75 Models

REF	PART NO.	DESCRIPTION	COMMENTS
1	254/DA011/899	Belt Pulley	
2	254/DA011/914	Key	
3	254/DA000/421	Ball Bearing	
4	254/DSA00/728	Bearing	Model DR50
	254/DSA00/719	Bearing	Model DR75
5	254/SB000/876	Wiring Rod	
6	254/C0000/249	Nut	
7	254/TU004/787	Nut	
8	254/VSB00/134	Washer	
9	254/IB000/140	Washer	
10	254/IB000/139	Bolt	
11	254/SB000/935	Bolt	
12	254/DA000/421	Ball Bearing	Model DR50
	254/DA000/423	Ball Bearing	Model DR75

Drum Drive and Reduction - DR20 and DR30 Models

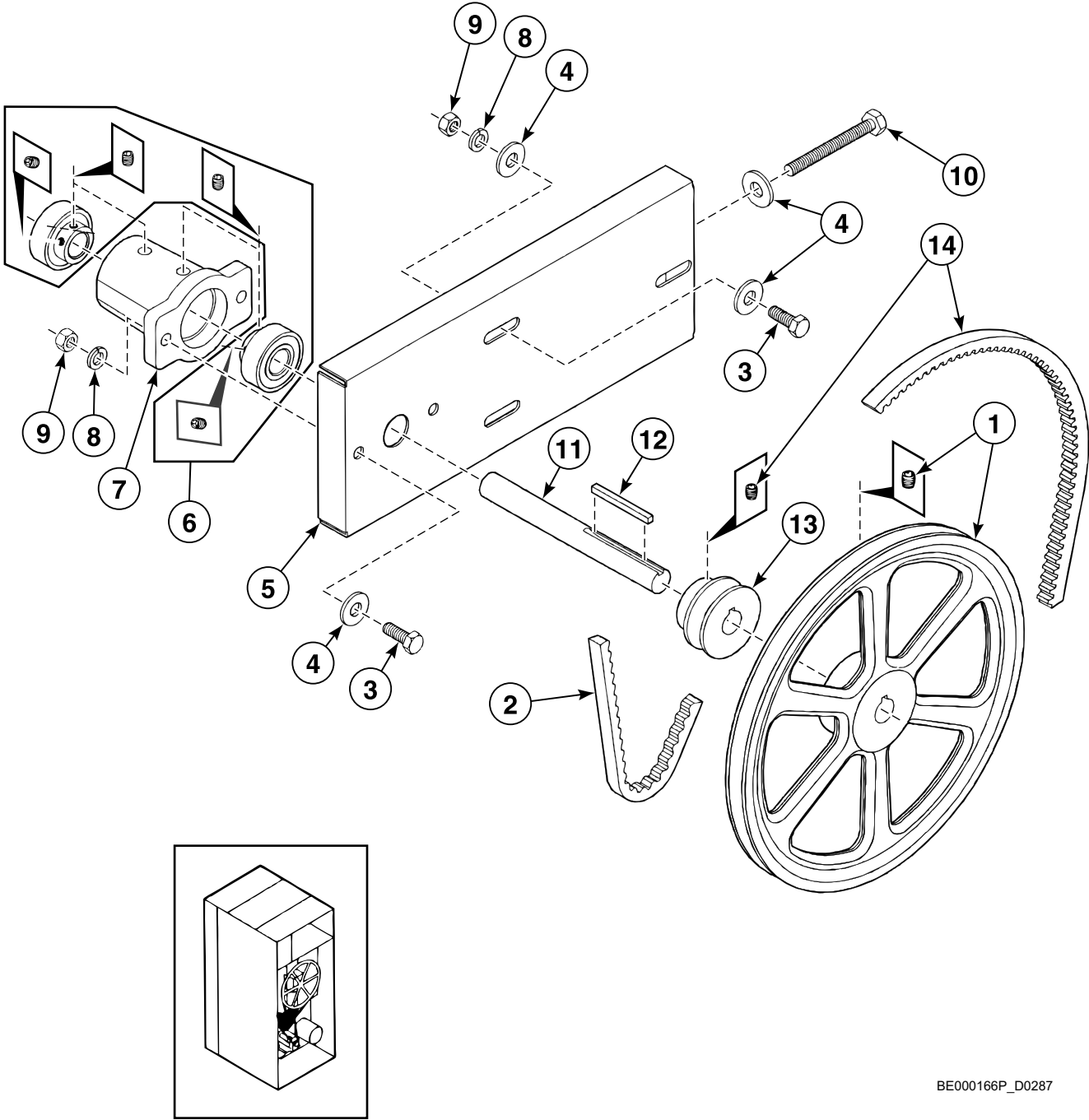


BE000164P_D0287

Drum Drive and Reduction - DR20 and DR30 Models

REF	PART NO.	DESCRIPTION	COMMENTS
1	254/DA000/530	Pulley	
2	254/DA000/531	Pulley	
3	254/DA011/711	Idler Shaft	
4	254/TUD00/187	Key	
5	254/FB000/124	Bolt	
6	254/VSB00/130	Washer	
7	254/CA011/866	Mounting Bracket	
8	254/DA000/518	Bearing	
9	254/DA000/517	Pulley Housing	
10	254/TU002/814	Washer	
11	254/C0000/249	Nut	
12	254/DSA00/734	Bolt	Set of 2 with axis
13	254/IB000/140	Washer	
14	254/VSB00/134	Washer	
15	254/TU004/787	Nut	
16	254/DA000/521	Belt	
17	254/DA000/523	Belt	Model DR30
	254/DA000/522	Belt	Model DR20

Drum Drive and Reduction

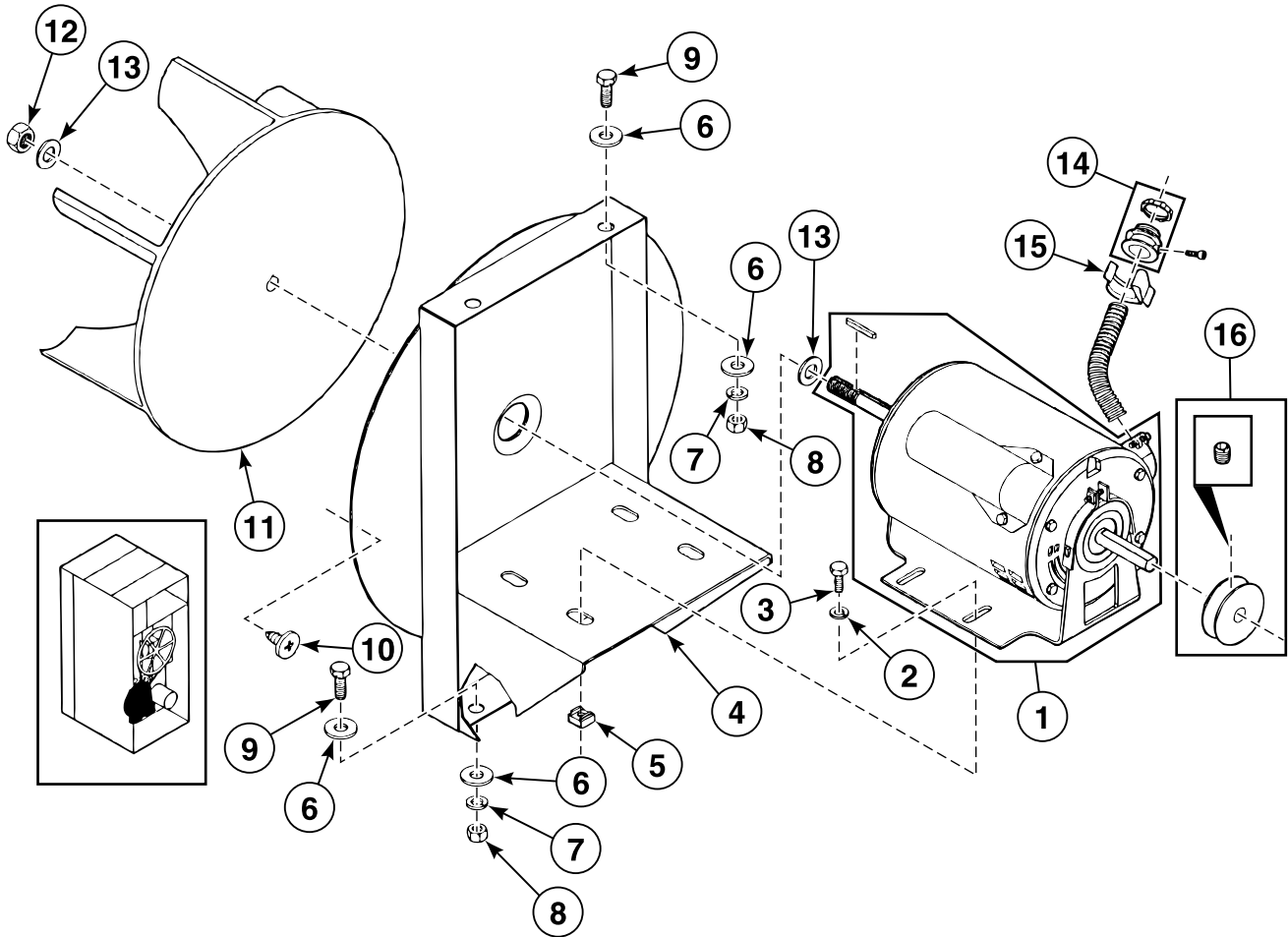


BE000166P_D0287

Drum Drive and Reduction

REF	PART NO.	DESCRIPTION	COMMENTS
1	254/DA000/529	Pulley	Models DR50 and DR75
	254/DA000/531	Pulley	Models DR20 and DR30
2	254/DA000/523	Belt	Models DR30 and DR50; Reversing
	254/DA000/522	Belt	Model DR20
	254/DA000/497	Belt	Models DR50 and DR75; Reversing and non-reversing
	254/DA000/494	Belt	Model DR50; Non-reversing
	254/DA000/525	Belt	Model DR75; Non-reversing
	254/DA011/908	Belt	Model DR75; Reversing
3	254/FB000/124	Bolt	
4	254/VSB00/130	Washer	
5	254/CA012/059	Plate Assembly	
6	254/DA000/518	Bearing	
7	254/DA000/517	Pulley Housing	
8	254/TU002/814	Washer	
9	254/C0000/249	Nut	
10	254/SB000/935	Bolt	
11	254/DA011/711	Idler Shaft	
12	254/TUD00/187	Key	
13	254/DA000/528	Pulley	Models DR50 and DR75
	254/DA000/530	Pulley	Models DR20 and DR30
14	254/DA000/521	Belt	

Motor, Fan and Drum Drive - DR20 and DR30 Models

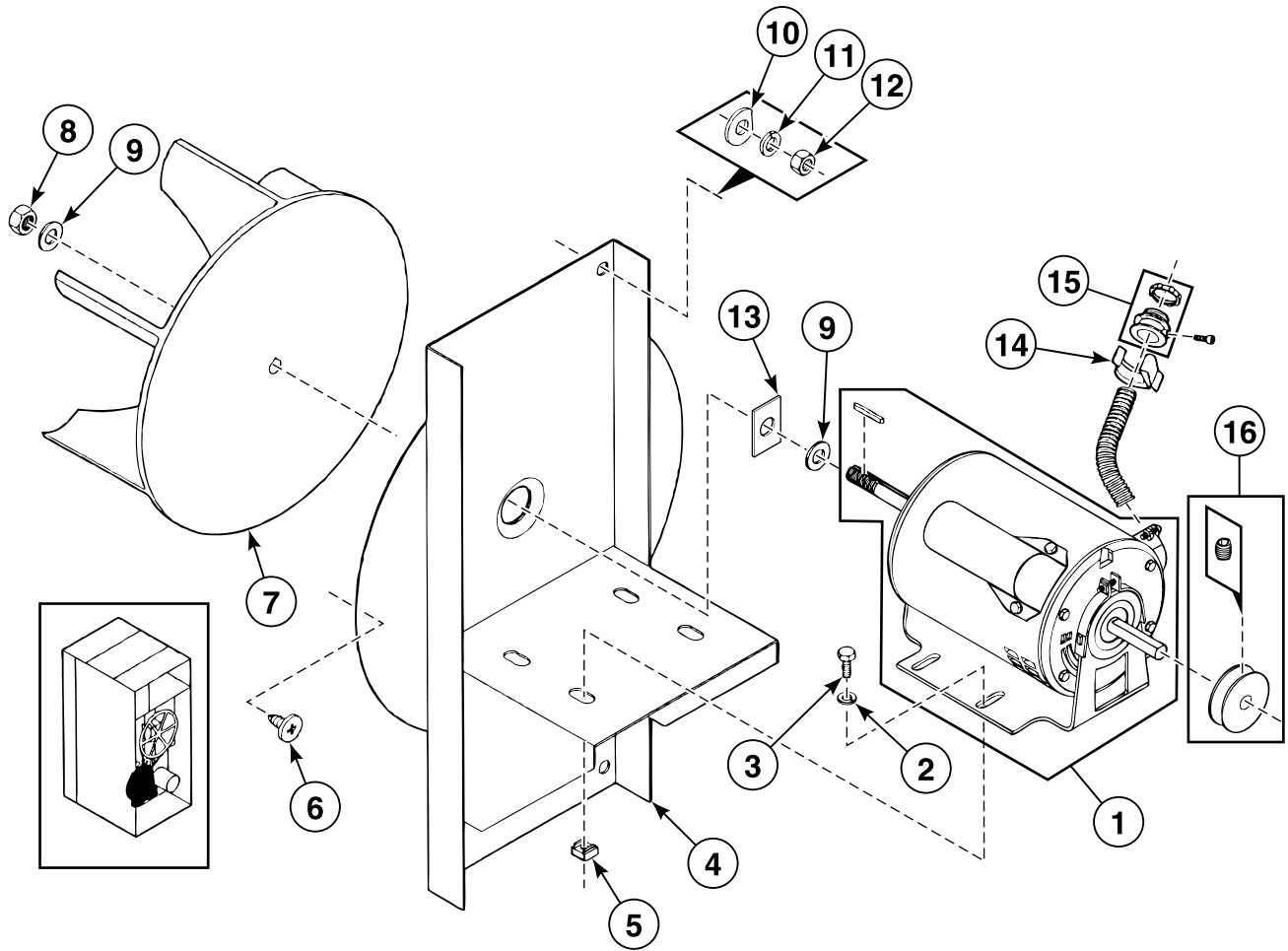


BE000165P_D0287

Motor, Fan and Drum Drive - DR20 and DR30 Models

REF	PART NO.	DESCRIPTION	COMMENTS
1	254/DA000/424	Motor Assembly	240-415 Volt
	254/DA000/428	Motor Assembly	115-220 Volt
2	254/TU002/814	Washer	
3	254/FB000/124	Bolt	
4	254/DSA00/703	Motor Plate Assembly	Model DR20
	254/DSA00/704	Motor Plate Assembly	Model DR30
5	254/SB000/842	Clipnut	
6	254/IB000/140	Washer	
7	254/VSB00/134	Washer	
8	254/TU004/787	Nut	
9	254/TU003/246	Bolt	
10	254/SB000/836	Screw	
11	254/DSA00/773	Fan	Model DR30
	254/DSA00/772	Fan	Model DR20
12	254/SB000/813	Nut	
13	254/SB000/847	Washer	
14	254/EA000/211	Tube Connector	
15	254/EA000/648	Tube Connector	
16	254/DA000/508	Pulley	Model DR30; 50 Hertz
	254/DA000/510	Pulley	Model DR20; 50 Hertz
	254/DA000/516	Pulley	Model DR20; 60 Hertz
	254/DA000/509	Pulley	Model DR30; 60 Hertz

Motor, Fan and Drum Drive

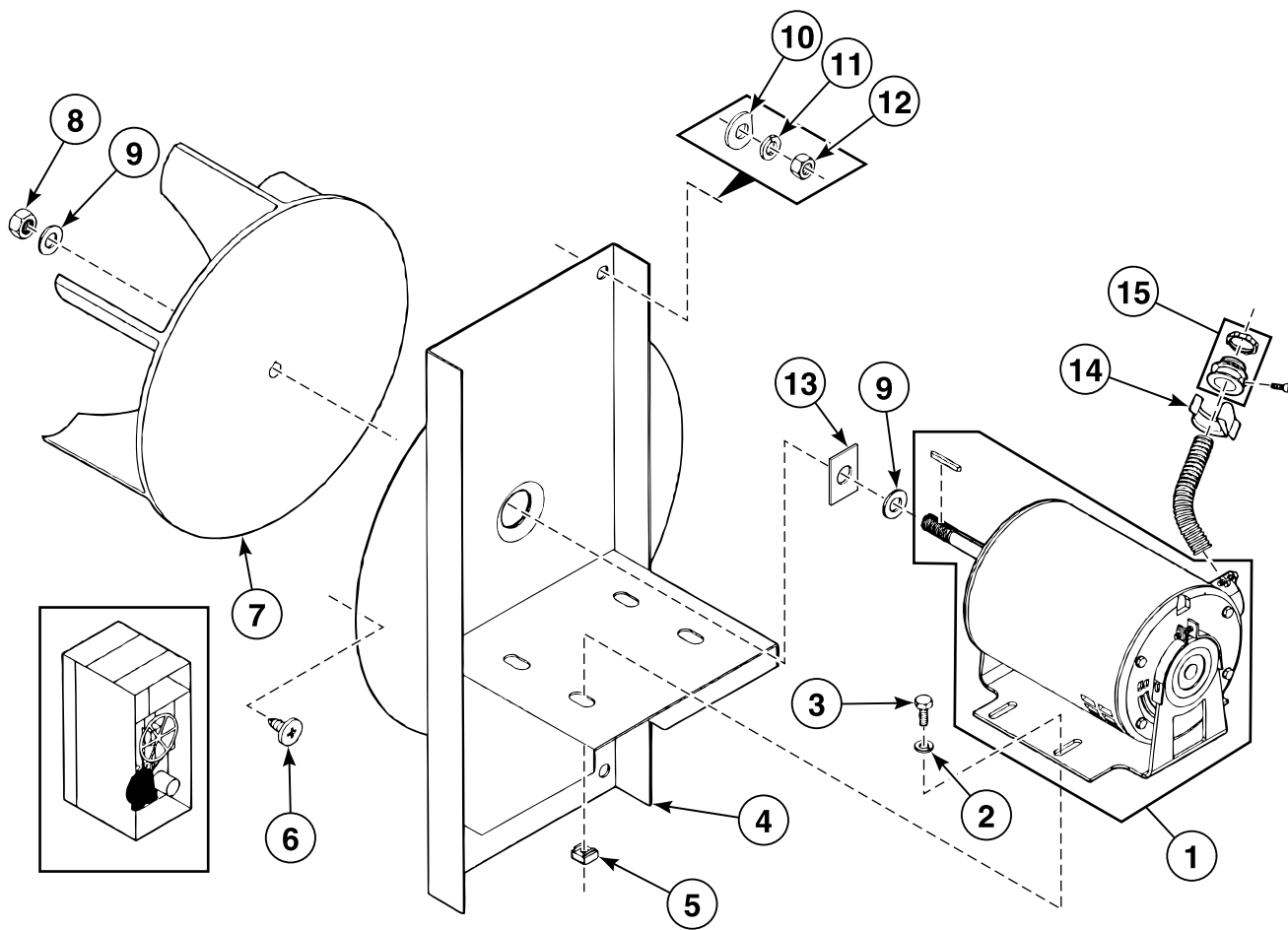


BE000303P_D0287

Motor, Fan and Drum Drive

REF	PART NO.	DESCRIPTION	COMMENTS
1	254/DA000/424	Motor Assembly	240-415 Volt
	254/DA000/428	Motor Assembly	115-220 Volt
	254/DA011/907	Motor Assembly	Models DR50 and DR75; 240 Volt
2	254/TU002/814	Washer	Models DR20 and DR30
	254/TU005/439	Bolt	Models DR50 and DR75
3	254/FB000/124	Bolt	Models DR20 and DR30
	254/TU002/814	Washer	Models DR50 and DR75
4	254/DSA00/799	Motor Plate Assembly	Model DR20
	254/DSA00/801	Motor Plate Assembly	Model DR30
	254/DSA00/793	Motor Plate Assembly	Models DR50 and DR75
5	254/SB000/842	Clipnut	
6	254/SB000/836	Screw	
7	254/DSA00/773	Fan	Models DR30, DR50 and DR75
	254/DSA00/772	Fan	Model DR20
8	254/SB000/813	Nut	
9	254/SB000/847	Washer	
10	254/IB000/140	Washer	
11	254/VSB00/134	Washer	
12	254/TU004/787	Nut	
13	254/DA000/460	Dust Cover	
14	254/EA000/648	Tube Connector	
15	254/EA000/211	Tube Connector	
16	254/DA011/919	Pulley	Model DR20; 50 Hertz
	254/TU014/689	Pulley	Model DR30; 50 Hertz
	254/DA000/516	Pulley	Model DR20; 60 Hertz
	254/DA000/509	Pulley	Model DR30; 60 Hertz

Motor Fan

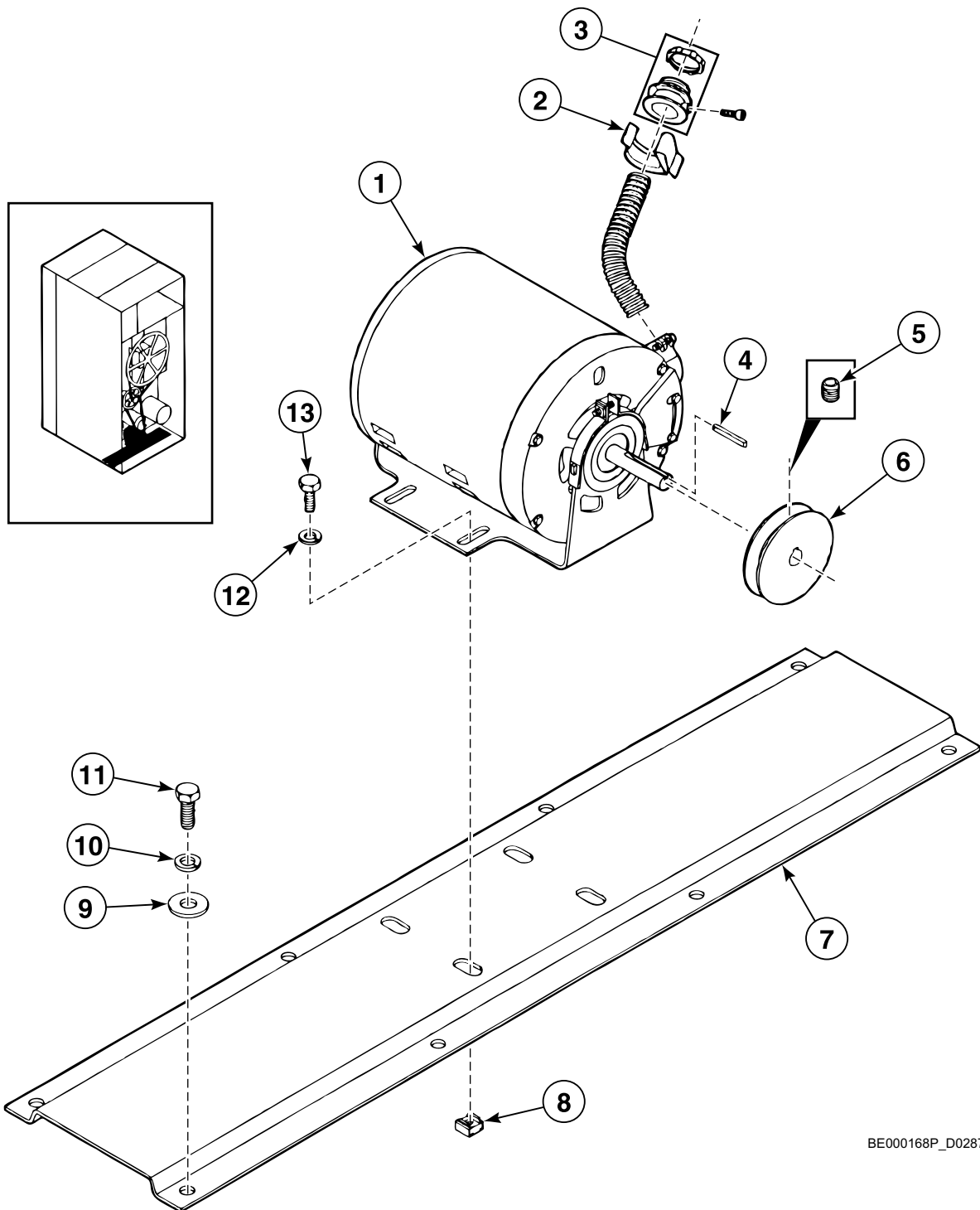


BE000179P_D0287

Motor Fan

REF	PART NO.	DESCRIPTION	COMMENTS
	254/00036/00	Telem	Models DR20 and DR30
	209/00284/00	Protector	Models DR20 and DR30
1	254/DA011/907	Motor Assembly	
2	254/TU002/814	Washer	
3	254/FB000/124	Bolt	Models DR20 and DR30
	254/TU005/439	Bolt	Models DR50 and DR75
4	254/DSA00/799	Motor Plate Assembly	Models DR20 and DR30
	254/DSA00/793	Motor Plate Assembly	Models DR50 and DR75
5	254/SB000/842	Clipnut	
6	254/SB000/836	Screw	
7	254/DSA00/772	Fan	Model DR20
	254/DSA00/773	Fan	Models DR30, DR50 and DR75
8	254/SB000/813	Nut	
9	254/SB000/847	Washer	
10	254/IB000/140	Washer	
11	254/VSB00/134	Washer	
12	254/TU004/787	Nut	
13	254/DA000/460	Dust Cover	Models DR50 and DR75
14	254/EA000/648	Tube Connector	
15	254/EA000/211	Tube Connector	

Motor Drive



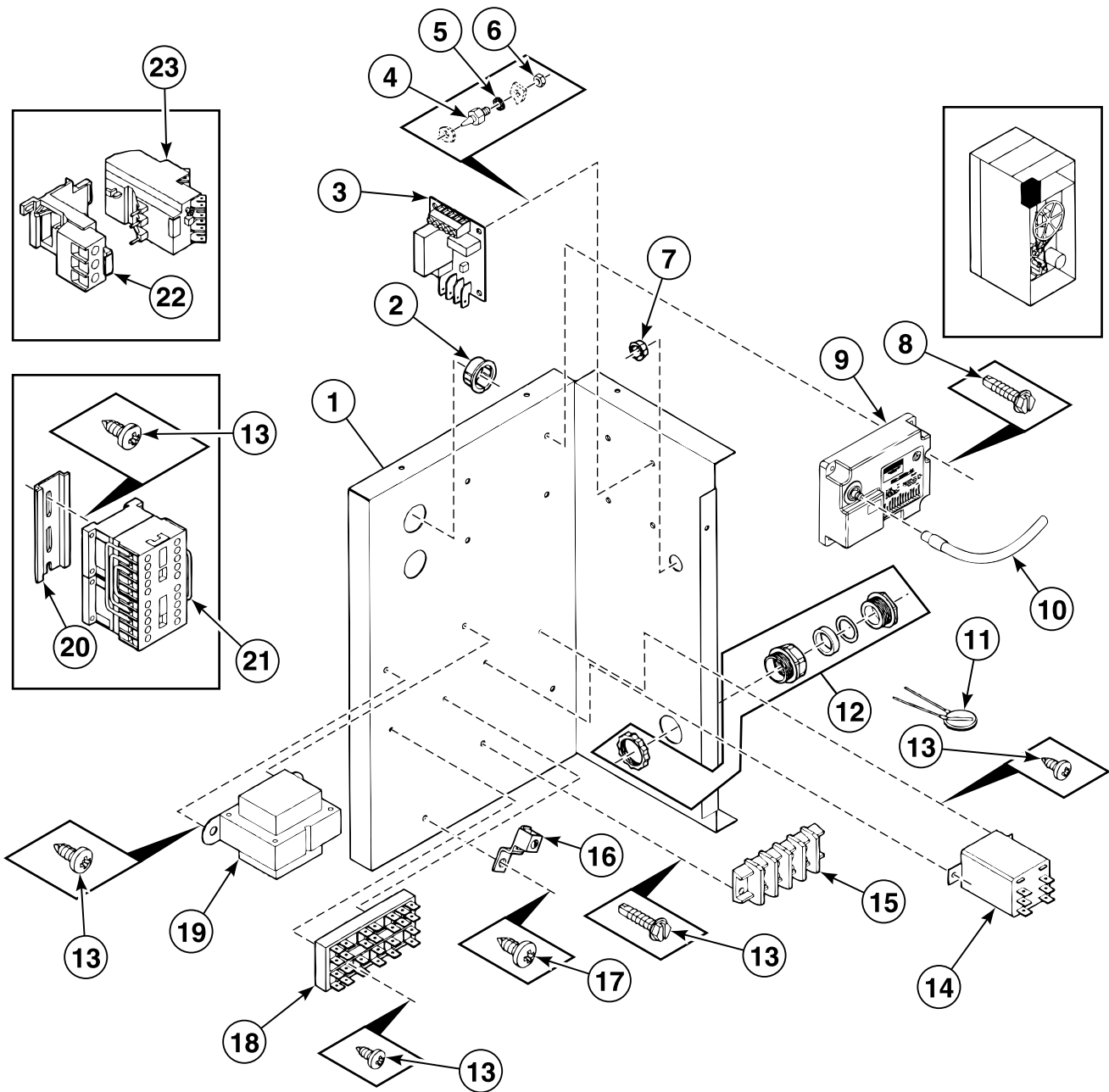
BE000168P_D0287

Motor Drive

REF	PART NO.	DESCRIPTION	COMMENTS
1	254/DA011/909	Motor	
2	254/EA000/648	Tube Connector	
3	254/EA000/211	Tube Connector	
4	254/DA000/512	Pulley	2.50-5/8 inch
	254/TU014/690	Pulley	Models DR20 and DR30; 2.20-5/8 inch
	254/DA011/913	Pulley	Models DR20 and DR30; 2.00-5/8 inch
	254/DA000/513	Pulley	Models DR50 and DR75; 60 Hertz; 3.00-5/8 inch
	254/DA011/906	Pulley	Models DR50 and DR75; 50 Hertz; 2.80-5/8 inch
5	254/00044/00	Mounting Plate	Model DR20
	254/00045/00	Mounting Plate	Model DR30
6	254/SB000/842	Clipnut	Models DR20 and DR30
7	254/IB000/140	Washer	Models DR20 and DR30
8	254/VSB00/134	Washer	Models DR20 and DR30
9	254/TU003/246	Bolt	Models DR20 and DR30
10	254/TU002/814	Washer	
11	254/FB000/124	Bolt	

Electric Junction Box (Drawing 1 of 2)

Gas Models



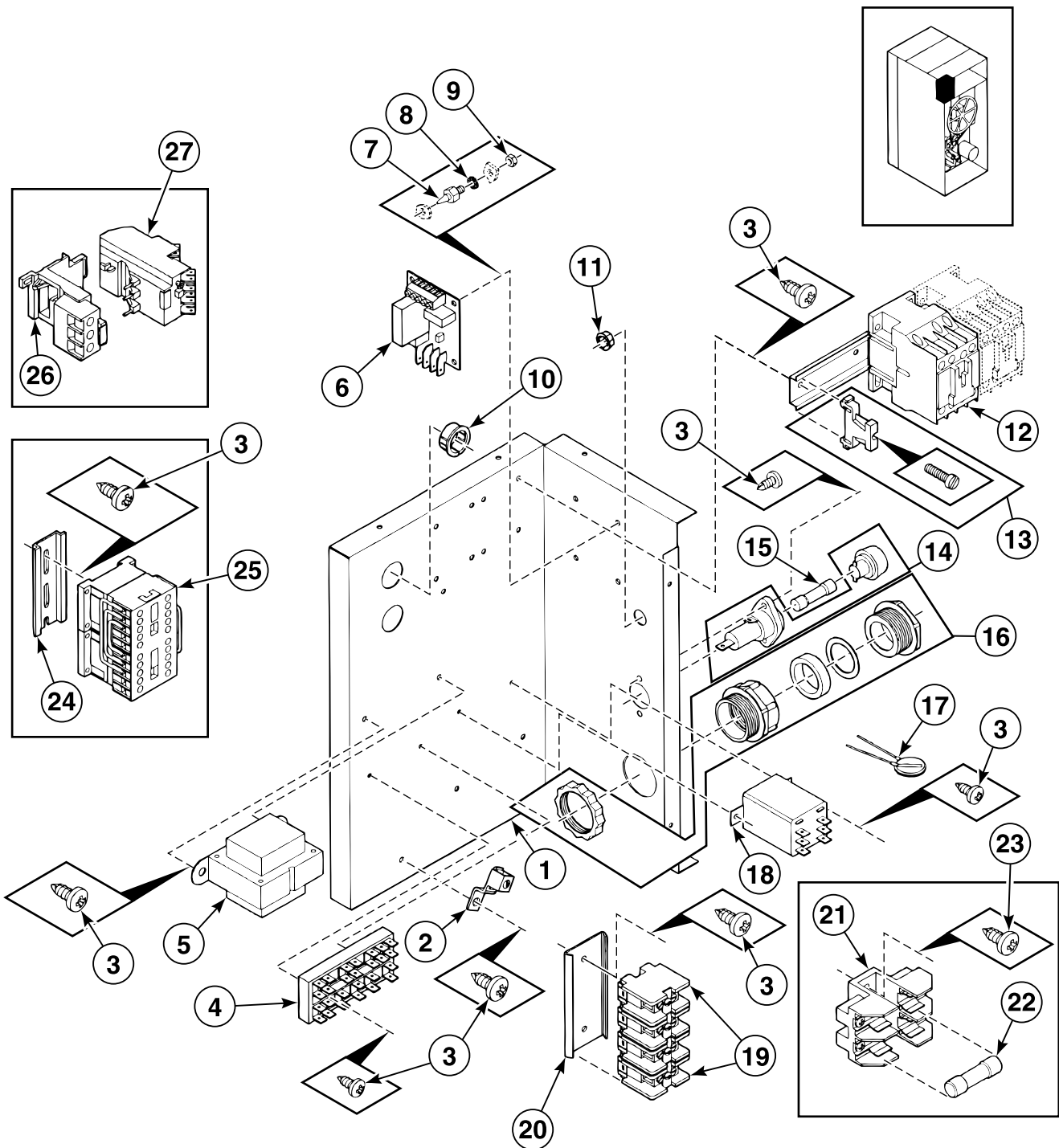
BE000304P_D0287

Electric Junction Box (Drawing 1 of 2)

REF	PART NO.	DESCRIPTION	COMMENTS
1	254/CA011/935	Mounting Plate	
2	254/SB000/868	Duct	
3	209/00438/00	Central Control Board	240 Volt
	209/00471/00	Central Control Board	24 Volt
4	211/00120/00	Standoff	
5	203/00006/00	Washer	
6	204/00007/00	Nut	
7	254/SB000/867	Duct	
8	254/TU002/793	Screw	
9	254/GA011/007	Ignition Module	
10	254/GA000/803	Cable	
11	254/EA000/651	Relay	
12	211/00117/00	Cordlock	
	720/00094/02	Cordlock	
13	254/TU007/733	Screw	
14	254/EA000/647	Relay	
15	254/EA000/467	Terminal Block	
16	254/EA000/466	Terminal	
17	254/SB000/836	Screw	
18	254/ESA00/843	Jumper	
19	254/ESA00/857	Transformer	
20	720/00110/01	Rail	
21	254/EA000/685	Contactor	
22	254/00036/00	Telem	
23	209/00284/00	Protector	

Electric Junction Box (Drawing 2 of 2)

Steam and Electric Models

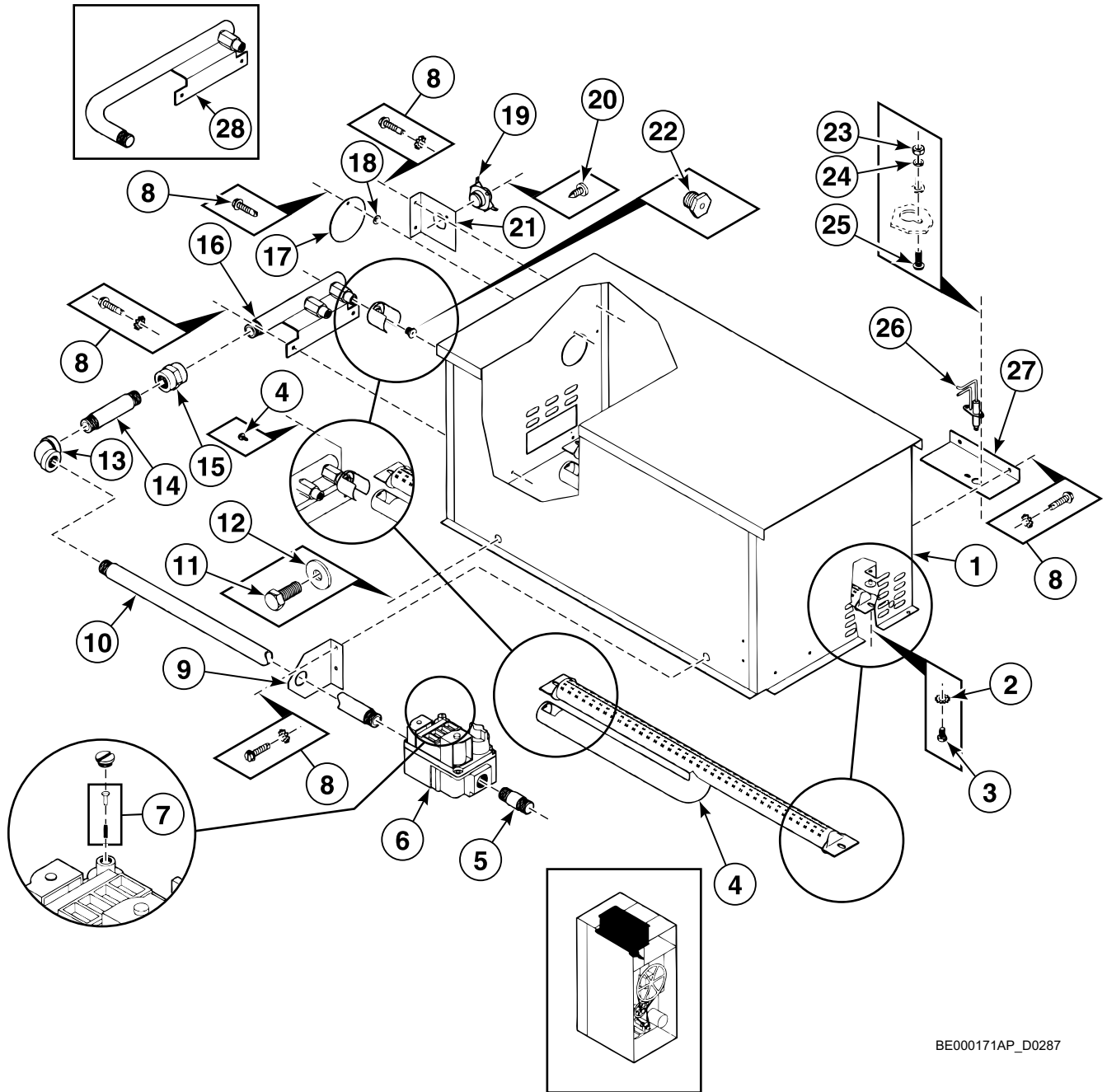


BE000170P_D0287

Electric Junction Box (Drawing 2 of 2)

REF	PART NO.	DESCRIPTION	COMMENTS
1	254/CA011/935	Mounting Plate	
2	254/EA000/466	Terminal	
3	254/TU007/733	Screw	
4	254/ESA00/843	Jumper	
5	254/ESA00/857	Transformer	
6	209/00438/00	Central Control Board	
7	211/00120/00	Standoff	
8	203/00006/00	Washer	
9	204/00007/00	Nut	
10	254/SB000/868	Duct	
11	254/SB000/867	Duct	
12	254/00022/00	Contactora	
	254/00023/00	Contactora	
13	209/00319/00	Clamp	
14	254/EA000/682	Fuse Holder	
15	254/EA000/683	Fuse	
16	211/00097/00	Cordlock	
	720/00094/02	Cordlock	
17	209/00356/00	Noise Suppressor	
18	254/EA000/647	Relay	
19	254/EA000/551	Clamp	
20	254/EA000/550	Rail	
21	254/EA000/460	Fuse Holder	
22	254/EA000/457	Fuse	
23	254/SB000/836	Screw	
24	720/00110/01	Rail	
25	254/EA000/685	Contactora	
26	254/00036/00	Telem	
27	209/00284/00	Protector	

Gas Heating System - DR20 and DR30 Models

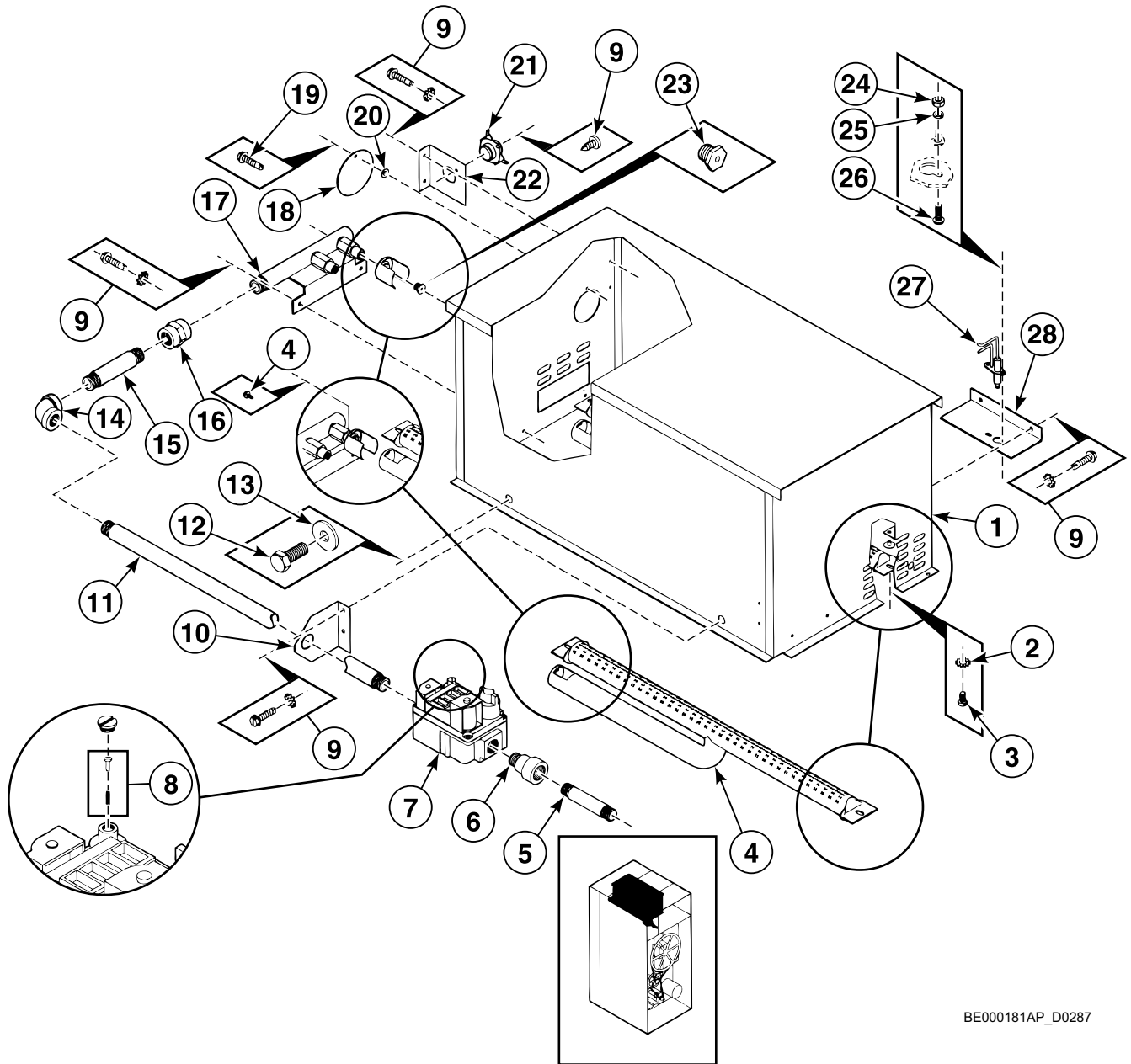


BE000171AP_D0287

Gas Heating System - DR20 and DR30 Models

REF	PART NO.	DESCRIPTION	COMMENTS
1	254/GSA00/250	Burner Housing	Model DR20
	254/GSA00/255	Burner Housing	Model DR30
2	254/TU011/613	Washer	
3	254/SB000/831	Bolt	
4	254/GA000/739	Burner	Model DR20
	254/GA000/756	Burner	Model DR30
5	254/OP000/290	Gas Valve	Model DR20
	254/LB000/020	Gas Valve	Model DR30
6	254/GA000/770	Gas Valve	
7	254/00038/00	Connector	
8	254/TU002/793	Screw	
9	254/CA011/818	Gas Pipe	
10	254/TU013/217	Gas Pipe	Model DR20
	254/FG000/274	Gas Pipe	Model DR30
11	254/FB000/124	Bolt	
12	254/TU002/814	Washer	
13	254/39050/105	Elbow	
14	254/OP000/308	Gas Pipe	
15	254/GA000/746	Gas Pipe	
16	254/GA000/760	Connection Pipe	
17	254/CA010/541	Inspection Hole	
18	254/SB000/853	Washer	
19	254/EA000/245	Safety Thermostat	
20	254/TU007/733	Screw	
21	254/CA011/028	Thermostat	
22	254/GA761/147	Gas Orifice	Model DR20; No. 26
	254/GA761/129	Gas Orifice	Model DR30; No. 30
	254/GA761/120	Gas Orifice	Model DR30; No. 31
	254/GA761/086	Gas Orifice	Model DR20; No. 44
	254/GA761/081	Gas Orifice	Model DR30; No. 46
23	254/TU003/266	Nut	
24	254/AT000/368	Washer	
25	254/M0000/262	Screw	
26	254/GA011/002	Gas Ignition	
27	254/GA010/457	Bracket	
28	254/GSA00/507	Bracket	

Gas Heating System - DR50 and DR75 Models

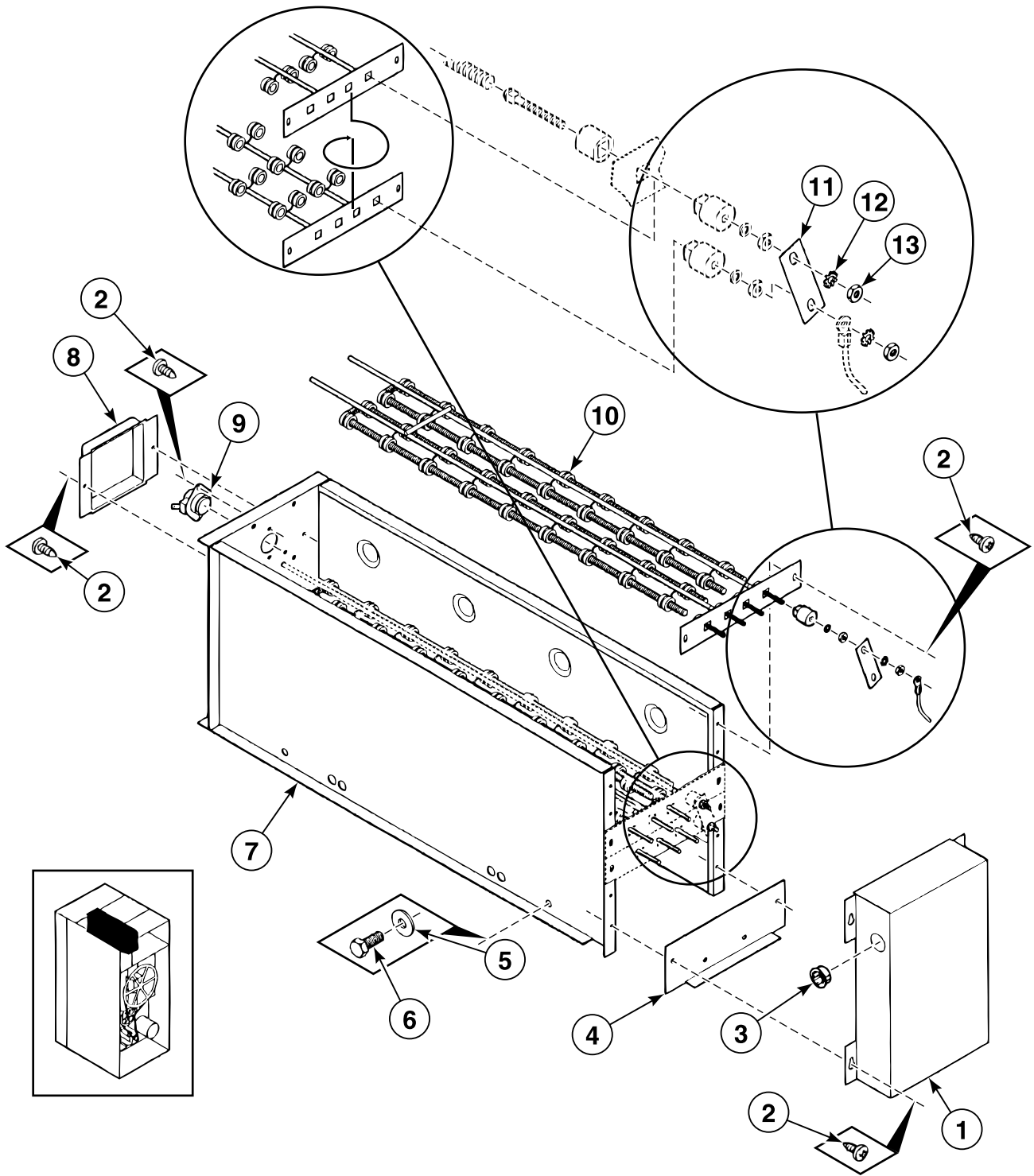


BE000181AP_D0287

Gas Heating System - DR50 and DR75 Models

REF	PART NO.	DESCRIPTION	COMMENTS
1	254/GSA00/255	Burner Housing	Model DR50
	254/GSA00/767	Burner Housing	Model DR75
2	254/TU011/613	Washer	
3	254/SB000/831	Bolt	
4	254/GSA00/756	Burner	
5	254/OP000/308	Gas Pipe	Model DR50
	254/TU004/601	Gas Pipe	Model DR75
6	254/CA013/099	Gas Reducer	
7	254/GA000/770	Gas Valve	
8	254/00038/00	Connector	
9	254/TU007/733	Screw	
10	254/CA011/818	Gas Pipe	
11	254/TU007/358	Gas Pipe	
12	254/TU005/439	Bolt	
13	254/VSB00/130	Washer	
14	254/39050/105	Elbow	
15	254/OP000/296	Gas Pipe	Model DR75
	254/OP000/308	Gas Pipe	Model DR50
16	254/GA000/746	Gas Pipe	
17	254/GSA00/508	Connection Pipe	Model DR50
	254/GSA00/509	Connection Pipe	Model DR75
18	254/CA010/541	Inspection Hole	
19	254/TU002/793	Screw	
20	254/SB000/853	Washer	
21	254/EA000/245	Safety Thermostat	
22	254/CA011/028	Thermostat	
23	254/GA761/140	Gas Orifice	3.5; No. 9/16
	254/GA761/078	Gas Orifice	2; No. 5/64
	254/GA761/157	Gas Orifice	Model DR50; 4; No. 22
	254/GA761/089	Gas Orifice	Model DR50; 2.3; No. 43
24	254/TU003/266	Nut	
25	254/AT000/368	Washer	
26	254/M0000/262	Screw	
27	257/GA011/003	Electrode	
28	254/GA010/457	Bracket	

Electric Heating System

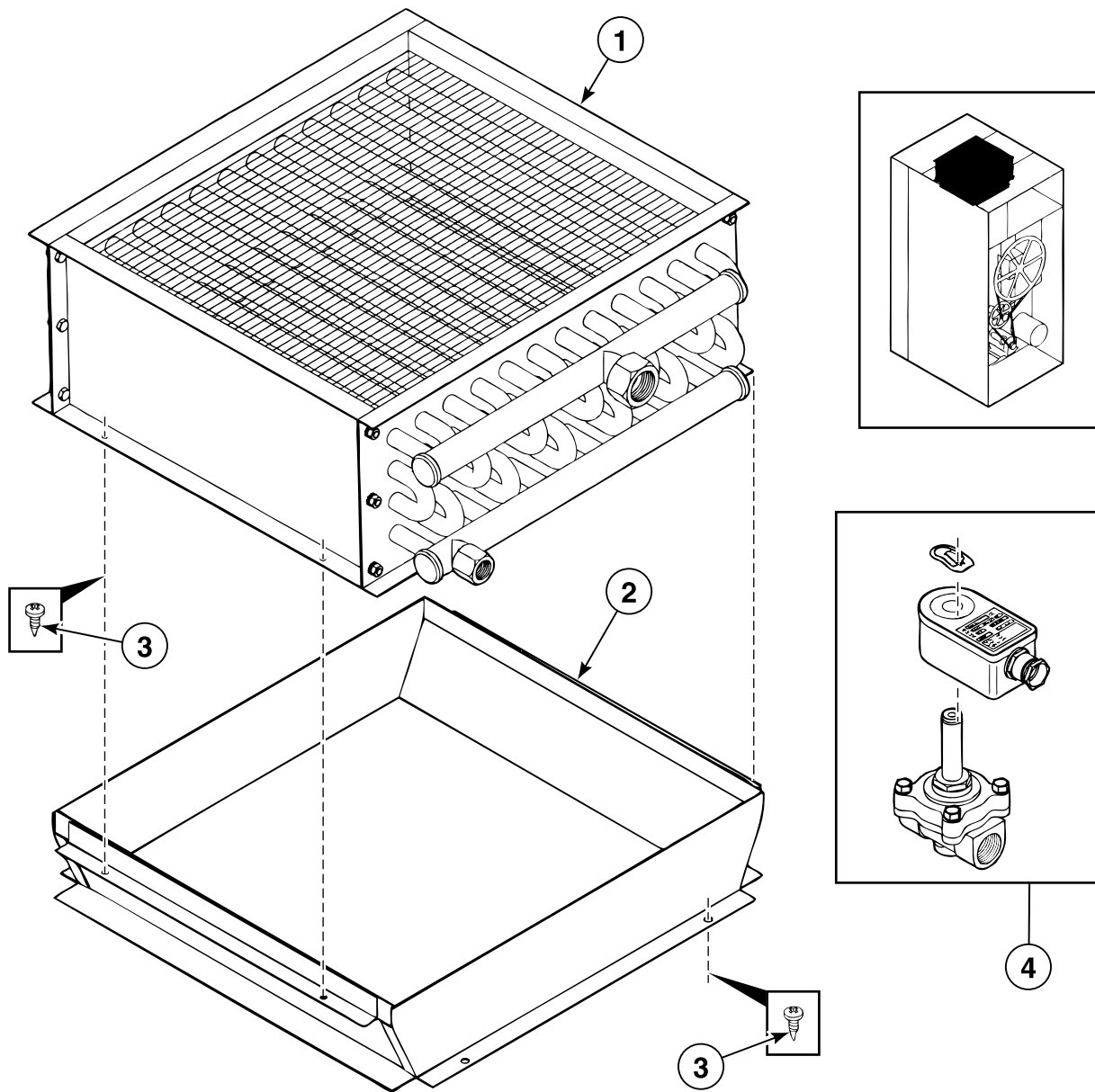


BE000172P_D0287

Electric Heating System

REF	PART NO.	DESCRIPTION	COMMENTS
	254/ESA00/316	Adapter	Models DR20 and DR30
1	254/CA011/984	Cap	
2	254/TU007/733	Screw	
3	254/SB000/868	Duct	
4	254/EA010/714	Plate Assembly	Models DR20 and DR30
	254/EA011/613	Plate Assembly	Models DR50 and DR75
5	254/VSB00/130	Washer	
6	254/SB000/935	Bolt	Models DR20 and DR30
	254/TU005/439	Bolt	Models DR50 and DR75
7	254/ESA00/610	Heating Cover	
8	254/EA000/595	Cap	Models DR20 and DR30
	254/EA010/232	Cap	Models DR50 and DR75
9	254/EA000/243	Safety Thermostat	
10	254/EA000/472	Heating Element	
11	254/EA010/417	Jumper	
12	254/TU011/613	Washer	
13	254/TU002/842	Nut	

Steam Heating System



BE000173AP_D0287

Steam Heating System

REF	PART NO.	DESCRIPTION	COMMENTS
1	254/00027/00	Steam Battery	Model DR20
	254/00028/00	Steam Battery	Model DR30
	254/00029/00	Steam Battery	Models DR50 and DR75
2	254/00037/00	Support Bracket	Model DR20
	254/00046/00	Support Bracket	Model DR30
	254/00047/00	Support Bracket	Models DR50 and DR75
3	254/TU007/733	Screw	
4	209/00185/00	Steam Valve	

Parts Index

A

Adapter	
254/ESA00/316	71
Air Channel Drum	
254/CA011/991	5
254/CA012/070	5
254/CA013/026	5
254/CA013/047	5
254/CA013/083	5
254/CA013/095	5
Air Valve	
254/CA011/853	43
Airflow Switch	
254/EA000/618	43
Axle	
254/CA010/085	11

B

Back Panel	
254/CA011/937	41
254/CA011/975	41
254/CA012/016	41
254/CA013/018	41
Ball Bearing	
254/DA000/420	45
254/DA000/421	47, 49
254/DA000/423	49
Bar Drum	
254/DA000/418	35
Bearing	
254/DA000/518	51, 53
254/DSA00/690	45
254/DSA00/719	49
254/DSA00/728	47, 49
Belt	
254/DA000/494	53
254/DA000/497	53
254/DA000/521	51, 53
254/DA000/522	51, 53
254/DA000/523	51, 53
254/DA000/525	53
254/DA011/908	53
Belt Pulley	
254/DA000/519	45, 47
254/DA011/899	49
Bolt	
254/CB000/036	5
254/DA000/445	37
254/DA011/248	39
254/DA011/249	39
254/DSA00/734	51
254/FB000/124	45, 51, 53, 55, 57, 59, 61, 67
254/IB000/139	45, 47, 49
254/SB000/831	67, 69
254/SB000/898	21, 23, 25, 27, 29, 31, 33
254/SB000/935	45, 47, 49, 53, 71
254/SB000/982	15
254/TU003/246	55, 61
254/TU005/439	35, 37, 39, 57, 59, 69, 71

Bracket	
254/CA011/854	43
254/GA010/457	67, 69
254/GSA00/507	67
Burner	
254/CA011/763	5
254/CA011/764	5
254/GA000/739	67
254/GA000/756	67
254/GSA00/756	69
Burner Housing	
254/GSA00/250	67
254/GSA00/255	67, 69
254/GSA00/767	69

C

Cable	
254/GA000/803	63
Cap	
254/CA000/617	11
254/CA011/984	71
254/EA000/595	71
254/EA010/232	71
Central Control Board	
209/00438/00	63, 65
209/00471/00	63
Clamp	
209/00319/00	65
254/EA000/551	65
Clean Lint Screen Label	
254/00019/00	19
Clipnut	
254/SB000/842	55, 57, 59, 61
Coin Board	
254/00024/00	21
Coin Box	
254/CA000/699	13
254/CSA00/753	25, 27
254/CSA01/435	5
Coin Meter	
209/00305/00	25, 27
Coin Vault	
254/TU009/225	25, 27
Complete Front Panel	
254/CSA01/423	11
254/CSA01/510	11
Complete Side Insulation	
254/CSA01/425	5
254/CSA01/512	5
Connection Pipe	
254/GA000/760	67
254/GSA00/508	69
254/GSA00/509	69
Connector	
254/00038/00	67, 69
Contact	
209/00099/05	13
Contact Switch	
209/00099/06	13

N/A items do not appear in index.

Contactactor	254/EA000/685	63, 65
	254/00022/00	65
	254/00023/00	65
Control Board	254/00024/00	25
	254/00030/00	21
	254/00066/00	23, 27
	254/00067/00	23, 27
	254/00070/00	29, 31, 33
Control Label	254/00018/00	31, 33
Cordlock	211/00097/00	65
	211/00117/00	63
	720/00094/02	63, 65
Cover Plate	254/CA011/546	5
	254/CA011/936	41

D		
Door	254/00010/00	15
	258/TU150/760	17
Door Fender	254/CA000/828	19
	254/CA000/833	19
	254/CA000/838	19
	254/CA000/839	19
Door Gasket	254/MD000/359	15
Door Glass	254/00011/00	15
	258/TU151/070	17
Door Glass Holder	254/00010/01	15
Door Hinge	254/00013/00	15
	258/TU150/730	17
Door Trim	254/CA000/645	19
	254/CA000/646	19
	254/CA000/647	19
	254/CA000/697	19
Draught Band	254/CA013/098	11
	254/TU002/853	11, 19
Drum	254/CSA00/845	35
	254/CSA00/847	37
	254/CSA00/848	39
	254/CSA00/849	39
	254/CSA01/540	39
	254/CSA01/591	39
Duct	254/SB000/867	63, 65
	254/SB000/868	21, 23, 25, 27, 29, 31, 33, 63, 65, 71
Dust Cover	254/DA000/460	57, 59
Dust Filter	254/CA011/931	5
	254/CA011/956	5
	254/CSA01/528	5

254/CSA01/545	5
---------------------	---

E

Elbow	254/39050/105	67, 69
Electrode	257/GA011/003	69
Eprom	209/00266/01	29, 31, 33

F

Fan	254/DSA00/772	55, 57, 59
	254/DSA00/773	55, 57, 59
Fender	254/CA000/655	19
Fender Panel	254/CA000/856	11
	254/CA000/857	11
	254/CA000/858	11
Frame and Side Panels	254/CSA50/037	5
	254/CSA50/045	5
	254/CSA50/050	5
	254/CSA50/052	5
Front Panel	254/CSA01/097	19
	254/CSA01/098	19
	254/CSA01/099	19
	254/CSA01/383	19
	254/CSA01/387	19
	254/CSA01/408	11
	254/CSA01/416	11
	254/CSA01/424	11
	254/CSA01/429	19
	254/CSA01/511	11
	254/CSA01/516	19
	254/CSA01/593	19
Front Plate	254/CA011/265	25, 27
Fuse	209/00506/00	21, 23, 25, 27
	209/00507/00	29, 31, 33
	254/EA000/457	65
	254/EA000/683	65
Fuse Holder	254/EA000/460	65
	254/EA000/682	65

G

Gas Ignition	254/GA011/002	67
Gas Orifice	254/GA761/078	69
	254/GA761/081	67
	254/GA761/086	67
	254/GA761/089	69
	254/GA761/120	67
	254/GA761/129	67

N/A items do not appear in index.

254/GA761/140	69
254/GA761/147	67
254/GA761/157	69
Gas Pipe	
254/CA011/818	67, 69
254/FG000/274	67
254/GA000/746	67, 69
254/OP000/296	69
254/OP000/308	67, 69
254/TU004/601	69
254/TU007/358	69
254/TU013/217	67
Gas Reducer	
254/CA013/099	69
Gas Valve	
254/GA000/770	67, 69
254/LB000/020	67
254/OP000/290	67
Gasket	
258/MD003/600	17
258/TU151/080	17

H

Heating Cover	
254/ESA00/610	71
Heating Element	
254/EA000/472	71

I

Idler Shaft	
254/DA011/711	51, 53
Ignition Module	
254/GA011/007	63
Inspection Hole	
254/CA010/541	67, 69
Insulation Panel	
254/CA000/675	13
254/CA000/676	13
254/CA011/929	19
254/CA011/930	19
254/CA012/029	19
254/CA013/131	19
254/CSA01/426	13
254/CSA01/432	13
254/CSA01/513	13
254/CSA01/523	13

J

Jumper	
254/EA010/417	71
254/ESA00/843	63, 65

K

Key	
254/DA011/914	49
254/LA000/119	11, 19
254/SB000/971	11

254/TUD00/187	51, 53
254/TU005/881	45, 47

Keypad Label

254/00015/00	21
254/00033/00	25, 27
254/00069/00	23

L

Leveling Leg	
254/TU003/211	5
Lint Filter	
254/CSA00/817	5
254/CSA00/839	5
Lock	
254/LA000/121	11, 19
254/LA000/401	25, 27
254/LA011/941	11
254/TU002/876	13
Lock Hatch	
254/LA011/359	19
Lock Hatch Assembly	
254/LA000/123	19
254/LA000/124	19
Lower Drum	
254/CA011/934	5
254/CA011/955	5

M

Magnetic Switch Holder	
254/00017/00	13
Microswitch	
254/EA000/650	5
Motor	
254/DA011/909	61
Motor Assembly	
254/DA000/424	55, 57
254/DA000/428	55, 57
254/DA011/907	57, 59
Motor Plate Assembly	
254/DSA00/703	55
254/DSA00/704	55
254/DSA00/793	57, 59
254/DSA00/799	57, 59
254/DSA00/801	57
Mounting Bracket	
254/CA011/866	51
Mounting Plate	
254/CA011/935	63, 65
254/00044/00	61
254/00045/00	61
Mushroom Pushbutton	
209/00248/00	13

N

Noise Suppressor	
209/00356/00	65
Nut	
204/00007/00	63, 65

N/A items do not appear in index.

204/00008/00	25, 27
204/0007/00	9
254/C0000/249	35, 37, 39, 45, 47, 49, 51, 53
254/SB000/813	55, 57, 59
254/TUD00/367	23, 27, 33
254/TU002/842	21, 23, 25, 27, 29, 31, 33, 71
254/TU003/266	7, 9, 67, 69
254/TU003/400	7, 9
254/TU004/787	39, 45, 47, 49, 51, 55, 57, 59
258/TU484/000	17

O

Operating Door	
254/CSA01/529	21, 23
254/CSA01/530	25, 27
254/CSA01/535	29, 31, 33
Operating Touchpad	
254/00021/00	21, 23
254/00039/00	29, 33

P

Panel	
254/CA012/073	5, 41
254/CA013/027	5, 41
254/CSA01/380	13
254/CSA01/392	13
254/CSA01/406	13
254/CSA01/414	13
254/CSA01/427	13
254/CSA01/433	13
254/CSA01/514	13
254/CSA01/524	13
Plate Assembly	
254/CA012/059	53
254/CA013/067	7
254/EA010/714	71
254/EA011/613	71
254/00048/00	11
254/00062/00	9
Protector	
209/00284/00	59, 63, 65
Pulley	
254/DA000/508	55
254/DA000/509	55, 57
254/DA000/510	55
254/DA000/512	61
254/DA000/516	55, 57
254/DA000/528	53
254/DA000/529	53
254/DA000/530	51, 53
254/DA000/531	51, 53
254/DA011/906	61
254/DA011/913	61
254/DA011/919	57
254/TU014/689	57
254/TU014/690	61
54/DA000/513	61
Pulley Housing	
254/DA000/517	51, 53

R

Rail	
254/EA000/550	65
720/00110/01	63, 65
Reed Switch Assembly	
254/ESA00/862	13
Reed Switch Magnet	
254/MD000/337	15
254/MD000/377	17
Reinforcement Bracket	
254/CA010/355	35
254/00050/00	37, 39
Relay	
254/EA000/647	63, 65
254/EA000/651	63
Rivet	
254/TU003/213	13
Rotation Sensor	
254/TU014/414	33

S

Safety Thermostat	
254/EA000/243	71
254/EA000/245	67, 69
Screw	
207/0004/00	9
207/00108/00	25, 27
254/M0000/262	7, 67, 69
254/P0000/219	15
254/SB000/835	35, 37, 39
254/SB000/836	21, 23, 25, 27, 29, 31, 33, 55, 57, 59, 63, 65
254/SB000/924	13
254/SB000/936	11
254/SB000/949	19
254/SB000/951	11
254/SB000/952	7, 9
254/SB000/955	43
254/SB000/967	15
254/SB000/975	13
254/TU002/793	63, 67, 69
254/TU007/733	5, 7, 9, 11, 13, 19, 25, 27, 29, 31, 33, 41, 43, 63, 65, 67, 69, 71, 73
254/00049/00	15
258/CA123/180	17
258/SB009/210	17
Shim	
154/00002/06	39
Side Panel	
254/CSA50/035	5, 41
254/CSA50/036	5, 41
Spacer	
254/TU014/01	33
254/TU014/701	23, 27
Standoff	
211/00120/00	63, 65
Steam Battery	
254/00027/00	73
254/00028/00	73
254/00029/00	73
Steam Valve	
209/00185/00	73

N/A items do not appear in index.

Support Bracket	
254/00037/00	73
254/00046/00	73
254/00047/00	73
Switch Assembly Plate	
254/SB000/954	43

T

Telem	
254/00036/00	59, 63, 65
Telem Sticker	
209/00520/00	13
Temperature and Humidity Sensor	
254/00007/00	7
254/00008/00	7
254/00009/00	7
254/00058/00	9
254/00059/00	9
254/00071/10	9
Temperature Switch	
254/EA000/594	7, 9
Terminal	
254/EA000/466	41, 63, 65
Terminal Block	
254/EA000/467	63
Thermostat	
254/CA011/028	67, 69
Thermostat/Hygrometer Protection	
254/00063/00	9
Timer	
254/00043/00	21, 25
Top Drum	
254/CA011/932	5
254/CA011/933	5
Top Panel	
254/CA011/925	5
254/CA011/987	5
Top Plate Assembly	
254/00061/00	9
Transformer	
254/ESA00/857	63, 65
Trunnion	
254/CSA00/823	35
254/CSA01/434	37
Trunnion Assembly	
254/CSA00/729	39
254/CSA00/822	39
Tube Connector	
254/EA000/211	43, 55, 57, 59, 61
254/EA000/212	43
254/EA000/648	55, 57, 59, 61
Tubing	
254/EA000/234	43

V

Valve	
254/CSA01/284	41
Vent Pipe	
254/CSA00/971	41

W

Washer	
203/00006/00	9, 63, 65
203/00007/00	25, 27
254/AT000/368	67, 69
254/IB000/140	45, 47, 49, 51, 55, 57, 59, 61
254/SB000/843	35, 37, 39
254/SB000/847	55, 57, 59
254/SB000/852	15, 17
254/SB000/853	67, 69
254/SB000/938	13
254/TU002/814	35, 37, 39, 45, 51, 53, 55, 57, 59, 61, 67
254/TU002/846	5
254/TU002/847	5
254/TU011/613	21, 23, 25, 27, 29, 31, 33, 67, 69, 71
254/VSB00/130	35, 37, 45, 51, 53, 69, 71
254/VSB00/134	45, 47, 49, 51, 55, 57, 59, 61
Wiring Clip	
254/EA000/395	21, 23, 25, 27, 29, 31, 33
Wiring Rod	
254/SB000/876	45, 47, 49
